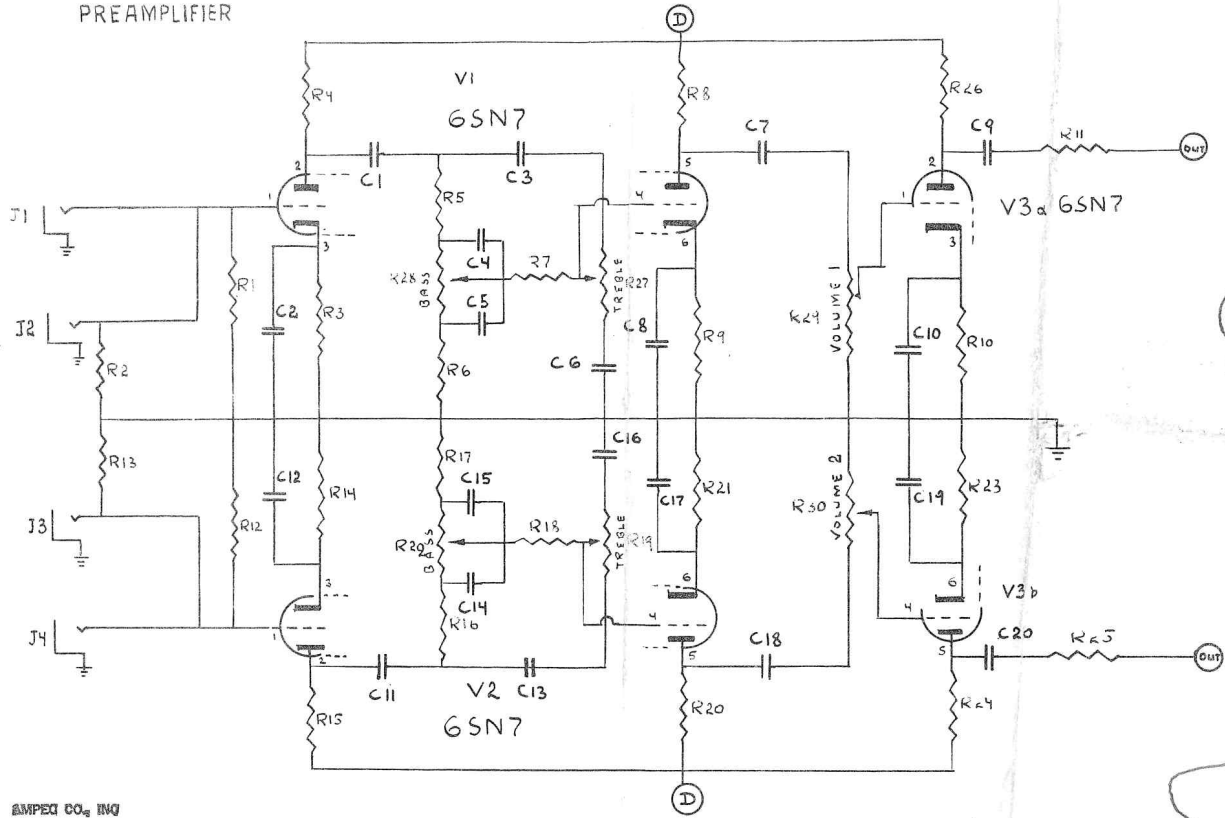
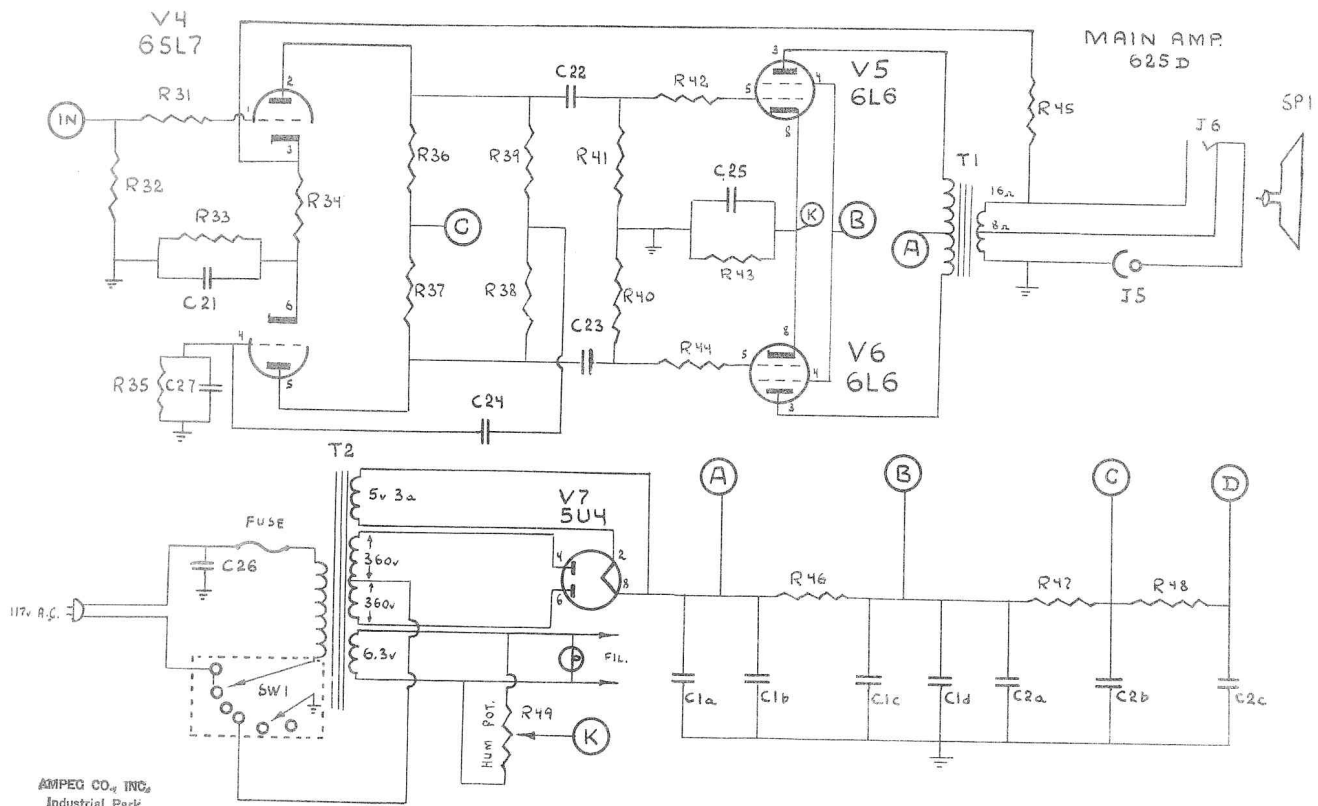


PREAMPLIFIER



AMPEX CO., INC
 Industrial Park
 Linden, N. J.

$$A = \frac{\mu R_L}{r_p + R_L}$$



AMPEG CO., INC.
 Industrial Park
 Linden, N. J.