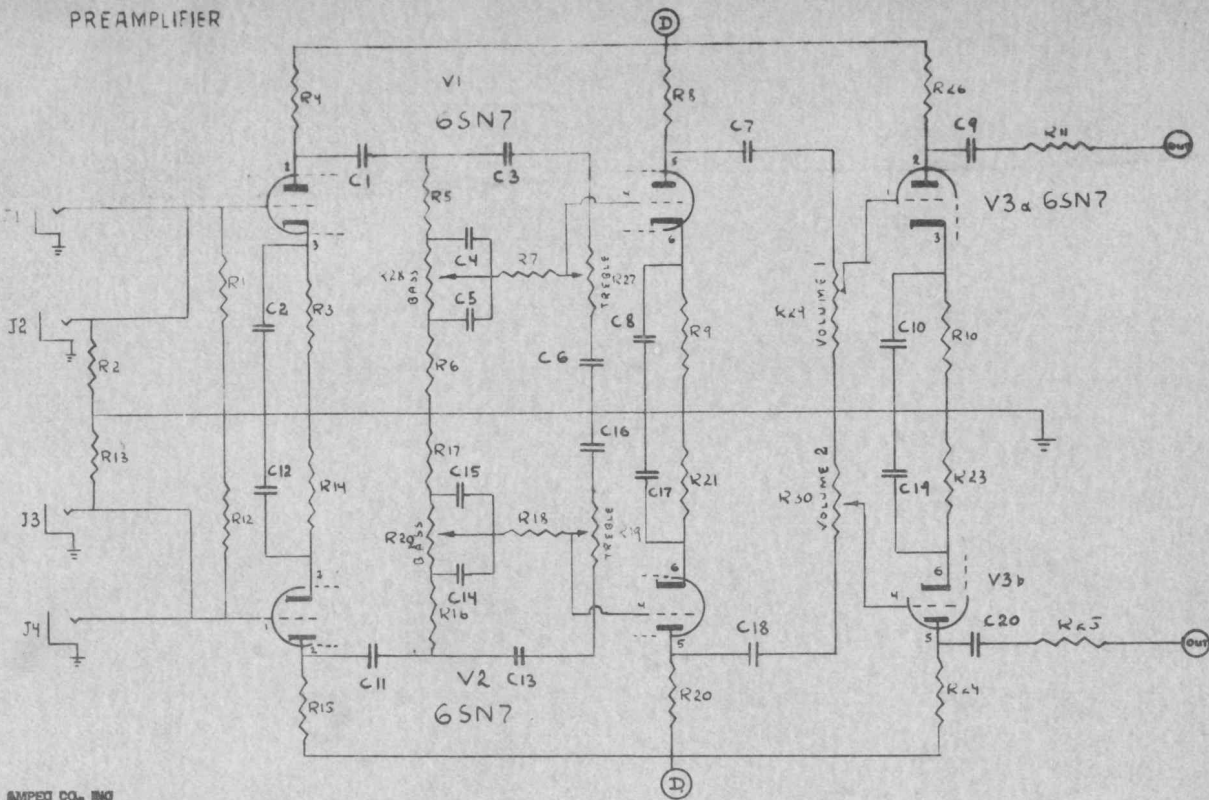
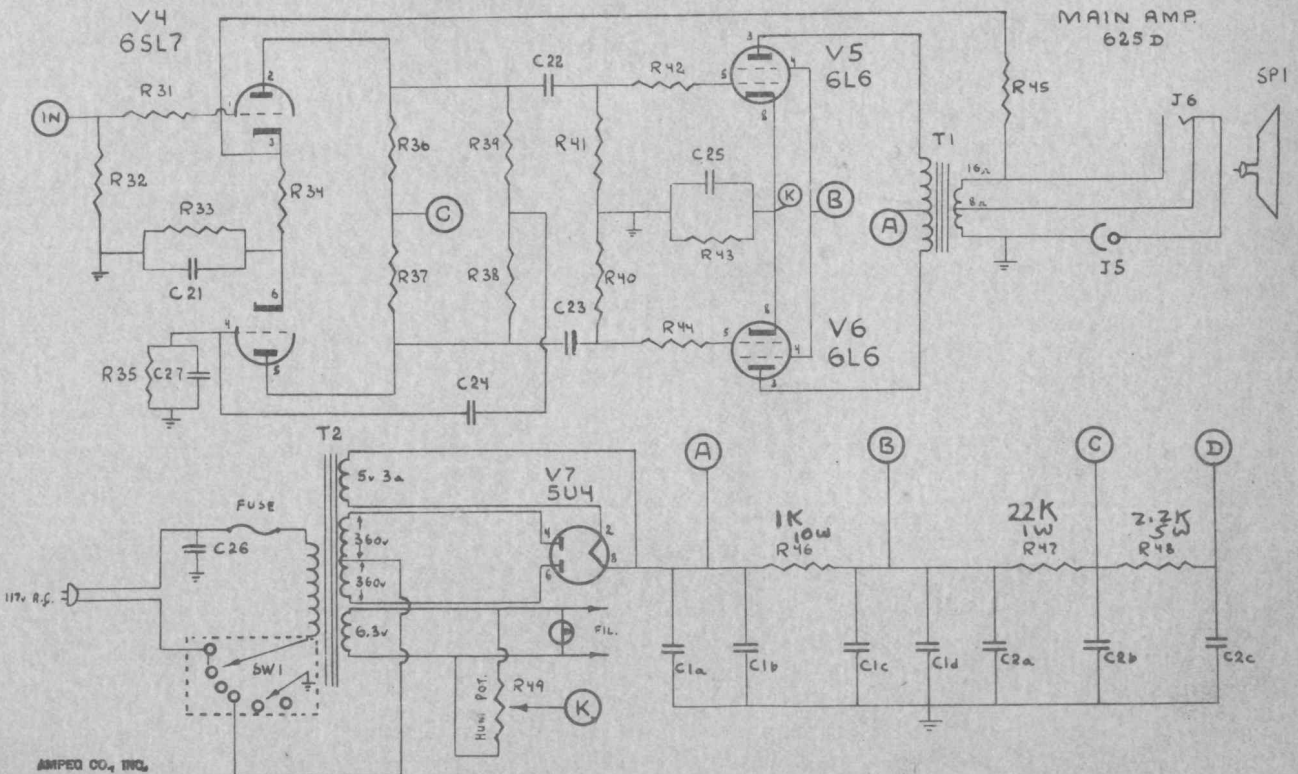


PREAMPLIFIER



AMPEX CO., INC.  
Industrial Park  
Linden, N. J.

MAIN AMP  
625 D



AMPEX CO., INC.  
Industrial Park  
Linden, N. J.

CAPACITORS.

Item N°.	Rating		Type
	Cap.	Volt	
C 1	.02	400	paper
C 2	25	6	electrolytic
C 3	500	500	ceramic
C 4	.002	600	paper
C 5	.02	400	"
C 6	.002	600	"
C 7	.02	400	"
C 8	25	6	electrolytic
C 9	.02	400	paper
C 10	25	6	electrolytic
C 11	.02	400	paper
C 12	100	12	electrolytic
C 13	500	500	ceramic
C 14	.002	600	paper
C 15	.02	400	"
C 16	.002	600	"
C 17,19,21.	100	12	electrolytic
C 18,20,22, 23,24.	.02	400	paper
C 25	50	50	electrolytic
C 26	.1	200	paper
C 27	500	500	ceramic
C 1A	30	500	electrolytic
C 1b	20	500	"
C 1c, C 1d	20	500	"
C 2a,2b,2c.	20	450	"

Capacity given in the rating column are in mfd for electrolytic and paper, and in mmfd for ceramic capacitors.

RESISTORS.

Item N°.	Rating	
	Ohms	Watt
R 1	1 mg	1/2
R 2, 13, 16, 5, 7, 18, 36, 37.	120k	1/2
R 3	3.3k	1/2
R 4	100k	1
R 6, 17, 31.	10k	1/2
R 8, 20, 47.	22K	1
R 9, 10, 21, 23, 26, 47.	2.2k	1/2
R 11, 25, 40.	270k	1/2k
R 12	5.6mg	1/2
R 14	3.3k	1/2
R 15	100k	1
R 24	22k	1
R 26	22k	1
R 32	1 mg	1/2
R 33, 42, 44.	1 k	1/2
R 34	220 $\Omega$	1/2
R 35	470k	1/2
R 39	470k	1/2
R 38 5%	510k	1/2
R 41	270k	1/2
R 43	250 $\Omega$	10
R 45	3.3k	1/2
R 46	1 k	10

Resistors  $\pm$  10%

MODEL 625-D

TUBES.

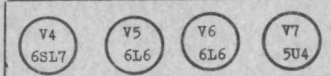
Item N°.	Tube	Use
V 1	6SN7	Voltage amplifier (ch. one)
V 2	6SN7	Voltage amplifier (ch. two)
V 3	6SN7	Voltage amplifier for ch.1&2
V 4	6SL7	Phase Inverter
V 5	6L6	Power amplifier
V 6	6L6	Power amplifier
V 7	5U4	Rectifier

TUBE LOCATION.

Preamplifier



Main amplifier



CONTROLS

Item N°.	Ohms	Type	Use
R 30	1 mg	LAG.	Volume
R 22	1 mg	Lin.	Ch. 1 Bass
R 19	1 mg	Lin.	Treble
R 29	1 mg	Leg.	Volume
R 28	1 mg	Lin.	Treble
R 27	1 mg	Lin.	Ch. 2 Bass
R 49	300		Humpot.

SPEAKER.

Item N°.	Size	Field	Part N°.	Imp.
SP 1	12"	P.M.		8 ohm
SP 2	12"	P.M.		8 ohm

TRANSFORMER.

Item N°.	Part N°.	Use.
T 1	OT 213	Audio output
T 2	PT 180	Power supply

MICELLANEOUSE.

Item N°.	Notes.
J 1	Input jack, open crt.
J 2	Input jack, close crt.
J 3	Input jack, open crt.
J 4	Input jack, close crt.
J 5	Output jack for 16 ohms
J 6	Output jack for 8 ohms
Fuse	3a 250v
SW.1	Standby switch.