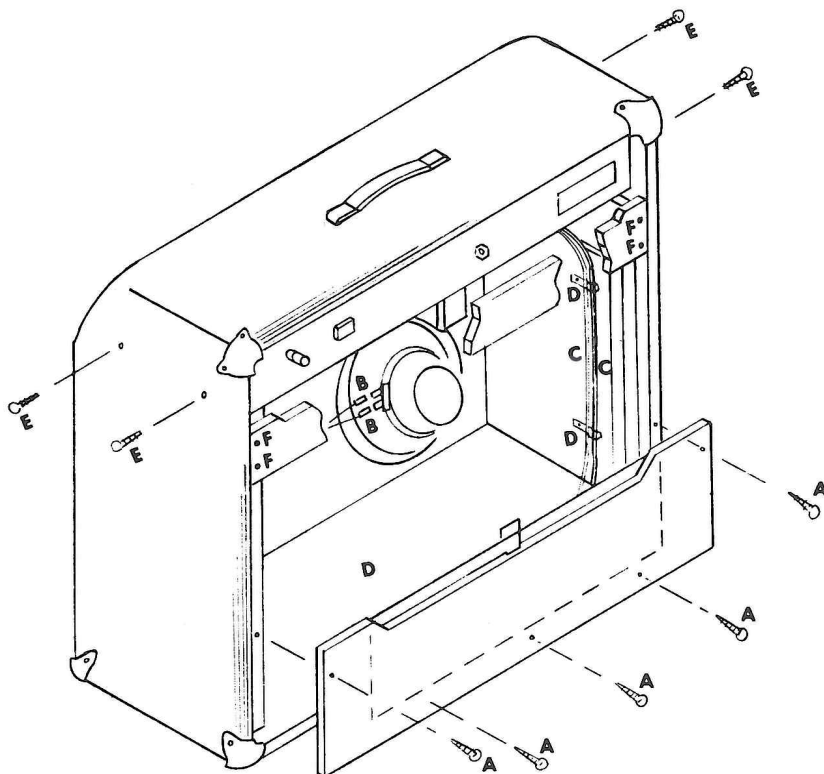




Single Channel/2 Inputs, Accordion,  
Instrument/Volume, Tone, Speed,  
Intensity, Dimension/Power Switch,  
Standby Switch/Carrying Weight 38 lbs.  
Size 17"x18"x10½"

TRADE NAME	Model No. AC-12
MANUFACTURER	The Ampeg Co., Inc., 330 Dalziel Rd, Linden, N.J.
TYPE SET	Audio Amplifier /One Channel/
TUBES	12AX7, 6U10, 12DW7, 7591A, 7591A
POWER SUPPLY	120V A.C. 50/60 HZ Rating 2A
POWER OUTPUT	20 Watts RMS (8 ohm Impedance)
PEAK POWER	40 Watts



#### MECHANICAL DISASSEMBLY

To remove amplifier chassis from cabinet for servicing:

- 1) Remove five screws marked "A" holding the bottom back cover in place.
- 2) Unplug two speaker leads marked "B" from speaker terminals. BE SURE TO OBSERVE THE POLARITY.
- 3) Unplug two reverb leads marked "C" from reverb unit.
- 4) Loosen three screws marked "D" holding the two reverb leads.
- 5) Remove four screws marked "E" holding chassis in place.
- 6) In order to protect tubes and shock mounts assembly during servicing, DO NOT REMOVE THE FOUR SCREWS MARKED "F", holding the top back cover to the chassis.

The CHASSIS, with the TOP BACK COVER, can now be extracted from the rear of the cabinet.

## REPLACEMENT PARTS

DESCRIPTION	STOCK NO.
P. C. Board Less Parts	64-60-068
1 Amp 800 P.I.V. Silicon Diodes (F-8)	6410021
Photomodule CL1110M	6440021
Amplifier PC Board w/Parts	06043010

## RESISTORS

CRKT SYMBOL NO.	OHM	WATTS	TOLERANCE	STOCK NO.
R4, R12, R25	2.2k	$\frac{1}{2}$	$\pm 10\%$	5910010
R5, R14, R24	220k	$\frac{1}{2}$	$\pm 10\%$	5910080
R6, R19	470k	$\frac{1}{2}$	$\pm 10\%$	5910092
R7	390k	$\frac{1}{2}$	$\pm 10\%$	5910032
R8	4.7k	$\frac{1}{2}$	$\pm 10\%$	5910014
R9	270k	$\frac{1}{2}$	$\pm 10\%$	5910090
R10, R11, R13	120k	$\frac{1}{2}$	$\pm 10\%$	5910028
R15	10k	2	$\pm 10\%$	5910136
R16, R27	1k	$\frac{1}{2}$	$\pm 10\%$	5910103
R17	22k	$\frac{1}{2}$	$\pm 10\%$	5910022
R18	10k	$\frac{1}{2}$	$\pm 10\%$	5910018
R20	3.3k	$\frac{1}{2}$	$\pm 10\%$	5910012
R21, R38	68k	$\frac{1}{2}$	$\pm 10\%$	5910074
R22	150k	$\frac{1}{2}$	$\pm 10\%$	5910078
R23	2.2m	$\frac{1}{2}$	$\pm 10\%$	5910147
R26	1m	$\frac{1}{2}$	$\pm 10\%$	5910034
R28	14k	$\frac{1}{2}$	$\pm 1\%$	5910019
R29	15k	$\frac{1}{2}$	$\pm 5\%$	5910192
R30, R31	100k	$\frac{1}{2}$	$\pm 10\%$	5910026
R32, R34, R35	47k	$\frac{1}{2}$	$\pm 10\%$	5910151
R33	140	7	$\pm 10\%$	5930037
R36	10k	1	$\pm 10\%$	5910098
R37	1k	2	$\pm 10\%$	5910105

## CAPACITORS

CRKT SYMBOL NO.	MFD	VOLT	TYPE	STOCK NO.
C2, C8, C11	10	12	Electrolytic	1240020
C4, C21	25	25	Electrolytic	1240035
C13	6.4	40	Electrolytic	1240127
C3, C9, C18	.1	400	Molded	1270065
C5, C6, C7	.047	400	Molded	1270035
C10	.47	400	Molded	1270090
C14	.005	400	Molded	1270123
C15	.002	400	Molded	1270128
C19, C20	.33	400	Molded	1270136
C24	.047	600	Molded	1270139
C12	.005	400	Ceramic	1210080
C16	3900 PF	250	Flat Foil	1270013

## TUBES

CRKT SYMBOL NO.	TUBE	USE	STOCK NO.
V1	12AX7	$\frac{1}{2}$ Preamplifier, $\frac{1}{2}$ Tremolo Oscillator	9370000
V2	6U10	Reverb Pre-Driver, Driver, Amplifier	9370033
V3	12DW7	$\frac{1}{2}$ Preamplifier, $\frac{1}{2}$ Phase Inverter	9370002
V4, V5	7591A	Audio Output	9340015

## CONTROLS

CRKT SYMBOL NO.	RESISTANCE	TYPE	WATTS	USE	STOCK NO.
VR1	4 Meg	Lin	$\frac{1}{2}$	Intensity	2410013
VR2	2 Meg	50% Tap	$\frac{1}{2}$	Tone	2410051
VR3	1 Meg	Log	$\frac{1}{2}$	Volume	2410012
VR4, VR5	500k	Lin.	$\frac{1}{2}$	Speed, Dimension	2410118



AC-12

A.C. VOLTAGE READINGS

(Line Voltage 120v A.C.)

INPUT: 0.3v A.C. at 400 HZ (In Accordion)

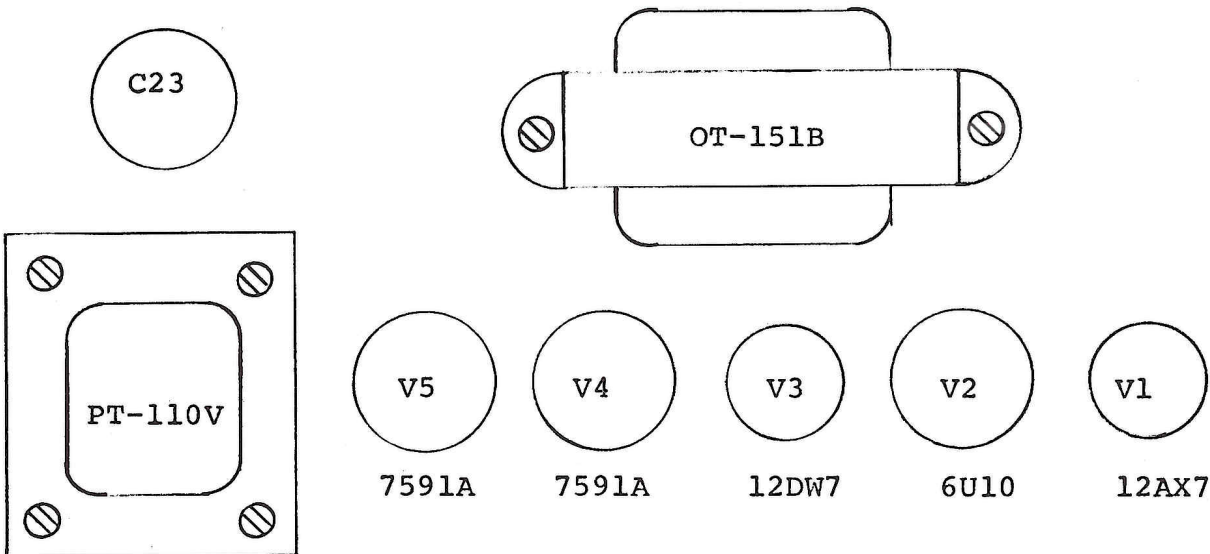
OUTPUT: 11v A.C. (Across 8 ohm) at 3/4 power output

Tone Control at middle position

Intensity, Speed Control at minimum

SYMBOL NO.	PIN NO.											
	1	2	3	4	5	6	7	8	9	10	11	12
V1				Fil	Fil	16.5v	.295v		Fil			
V2	Fil								.53v	6.9v	6.65v	Fil
V3	8.8v	10.5v	8.8v	Fil	Fil	10.5v	.58v		Fil			
V4		Fil	167v			8.8v	Fil					
V5		Fil	167v			8.8v	Fil					

NOTE: THESE READINGS WERE TAKEN WITH A 10M INPUT IMP. VOLTMETER



TUBE LOCATIONS

## SPEAKER

RATINGS				STOCK NO.
MFG NO.	SIZE	FIELD	V.C. IMPEDANCE	
Jensen C-12R	12"	P.M.	8 Ohm	6920008

## AUDIO OUTPUT TRANSFORMER

IMPEDANCE		D.C. RESISTANCE		STOCK NO.
PRIMARY	SECONDARY	PRIMARY	SECONDARY	
6.6k	8 ohms	180 ohms	.7 ohms	8950007

## POWER TRANSFORMER

RATING			STOCK NO.
PRIMARY	SECONDARY 1	SECONDARY 2	
120 V.A.C. 50-60 HZ	280 V A.C. at 135 MA D.C.	6.3 V A.C. at 3 Amps A.C.	8930015

## RESISTORS ON JACKS AND CONTROLS

CRKT SYMBOL NO.	OHM	WATTS	TOLERANCE	STOCK NO.
R1	100k	$\frac{1}{2}$	$\pm 10\%$	5910026
R2	47k	$\frac{1}{2}$	$\pm 10\%$	5910151
R3	5.6m	$\frac{1}{2}$	$\pm 10\%$	5910094
R30, R39	560k	$\frac{1}{2}$	$\pm 10\%$	5910188

## CAPACITORS ON JACKS AND CONTROLS

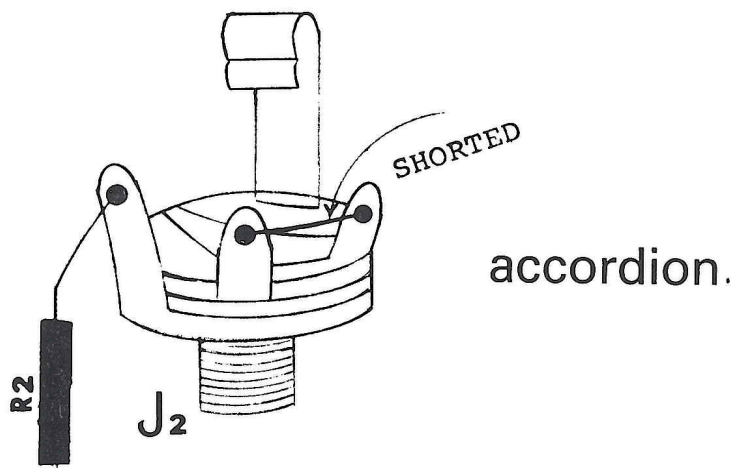
CRKT SYMBOL NO.	MFD	VOLTS	TYPE	STOCK NO.
C25, C26	.001	600	Molded	1270121

## MISCELLANEOUS ELECTRONIC PARTS

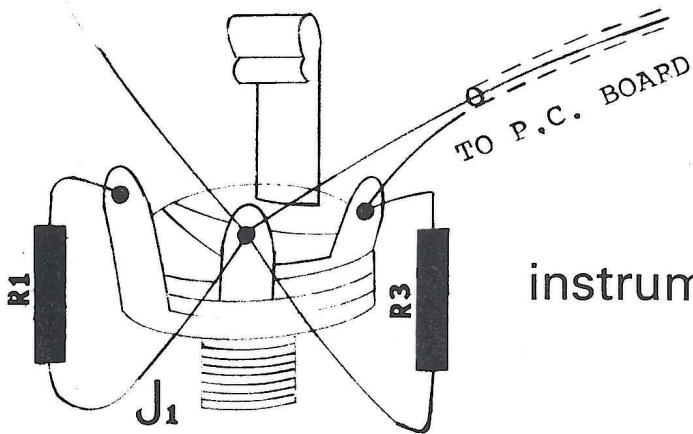
CRKT SYMBOL NO.	DESCRIPTION	STOCK NO.
J1	Jack L12A Switchcraft	3830021
J2	Jack 2J1754 Switchcraft	3830022
J3	Jack 13 B Switchcraft	3830028
SW1, SW2	Power and Standby Switch	2430070
	8 pin PC Board Type Socket	3863026
	12 pin PC Board Type Socket	3863029
	9 pin PC Board Type Socket	3863032
Reverb Unit	Echo Pan - 4C	6310006
	Pilot Light	3845015
	Fuse AGC 3 Amps	3824006
	A. C. Outlet	3812027
	Fuse Holder (HMM)	3824026
	Terminal Strip	3881021
	A. C. Line Cord	9720000
	Echo Lead 26"	9740006
	Echo Lead 36"	9740014

## MISCELLANEOUS NON-ELECTRONIC PARTS

QUANTITY	DESCRIPTION	STOCK NO.
1	Logo	4030007
1	Handle	3827014
4	Glide (Studs)	3851000
6	Corner	3818002
1	Strain Relief Heyco 5K1	3878009
1	Strain Relief Heyco 5P4	3878006
1	Overlay Panel	3842065
5	Black Knob	3815026



accordion.



instrument



CONTROLS ASSEMBLY

