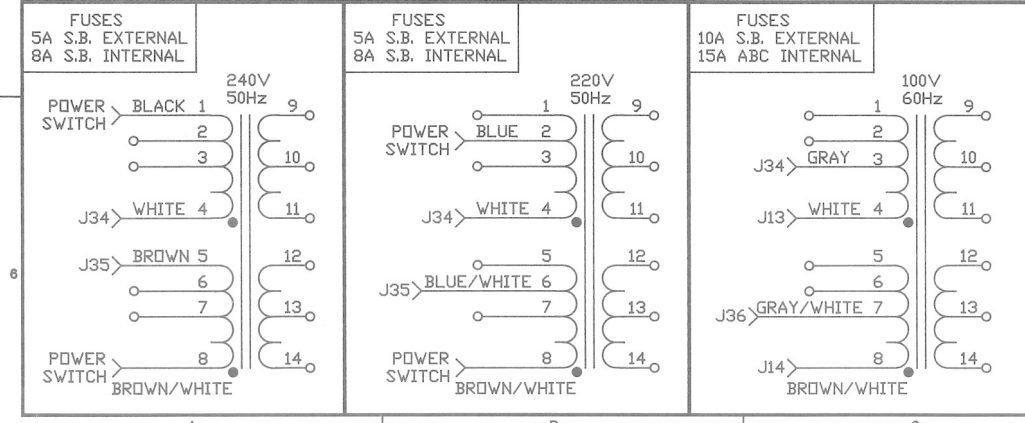


* SEE EXPORT WIRING CONFIGURATION.
 ** NOT REQUIRED FOR 220V & 240V CONFIGURATIONS. SEE EXPORT WIRING CONFIGURATION.

EXPORT WIRING



CAUTION:
 THIS SCHEMATIC IS PROVIDED FOR USE BY QUALIFIED PERSONNEL. TO AVOID RISK OF ELECTRIC SHOCK, REFER SERVICING TO QUALIFIED SERVICE PERSONNEL. DO NOT PERFORM ANY SERVICING BEYOND THAT EXPLAINED IN THE OPERATING INSTRUCTIONS.

- NOTES**
- 1) CAUTION: SHOCK HAZARD!! THIS UNIT CONTAINS HAZARDOUS VOLTAGE. DISCONNECT POWER AND BE SURE POWER SUPPLY IS DISCHARGED BEFORE TOUCHING INTERNAL PARTS.
 - 2) UNLESS NOTED, RESISTOR VALUES IN OHMS, 1/4W-5% TOL. CAPACITOR VALUES IN MICROFARADS, 50V-10% TOL.
 - 3) VOLTAGES ARE MEASURED WITH 1 MEGOHM OSCILLOSCOPE AND 10 MEGOHM DIGITAL VOLTMETER.
 - 4) CIRCUIT GROUND \uparrow SWITCH GROUND \downarrow CHASSIS GROUND \oplus

SIGNATURES:	DATE:	1880 BORMAN DR. ST. LOUIS, MISSOURI 63146
DRAWN: S.RADER	3/1/91	
CHK'D: DAP	05/10/91	PROJECT NAME:
APP'D: DAP	05/10/91	AP-3550
ORIGINAL ISSUED:	05/10/91	DRAWING NAME:
PLOT DATE:	05/10/91	WIRING DIAGRAM
PLOT TIME:	11:15:17	DRAWING NO. 16W435-01
FILE NAME:	16W43502	SCALE: 1:1 SHEET: 1 OF 1