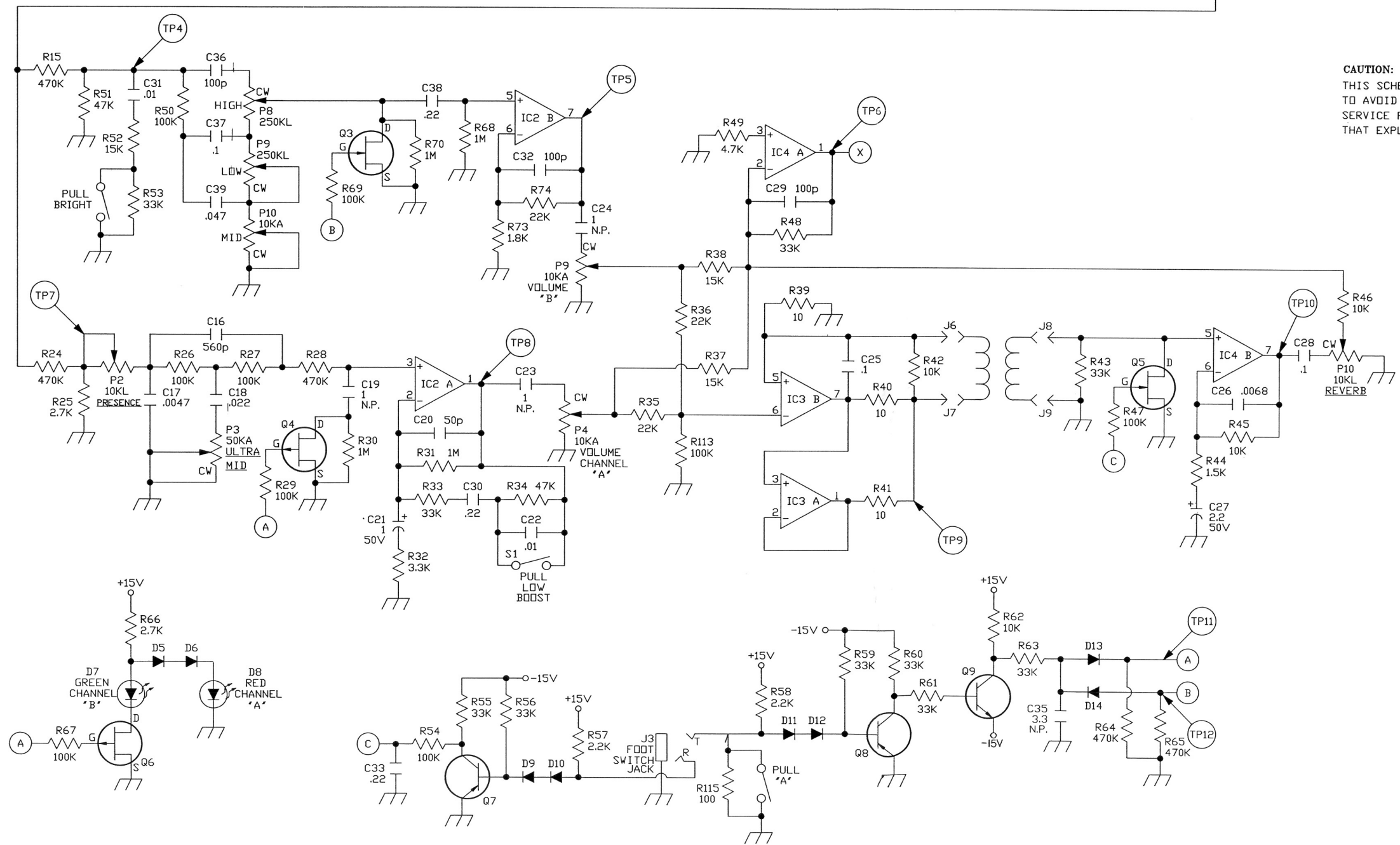


- NOTES**
- 1) CAUTION: SHOCK HAZARD!! THIS UNIT CONTAINS HAZARDOUS VOLTAGE. DISCONNECT POWER AND BE SURE POWER SUPPLY IS DISCHARGED BEFORE TOUCHING INTERNAL PARTS.
 - 2) UNLESS NOTED, RESISTOR VALUES IN OHMS, 1/4W-5% TOL. CAPACITOR VALUES IN MICROFARADS, 50V-10% TOL.
 - 3) VOLTAGES ARE MEASURED WITH 1 MEGOHM OSCILLOSCOPE AND 10 MEGOHM DIGITAL VOLTMETER.
 - 4) CIRCUIT GROUND \perp CHASSIS GROUND \perp
 - 5) SET BIAS TO 15mV FOR MOTOROLA OUTPUT TRANSISTOR (<10mV FOR TI) ACROSS R65 OR R66 WITH NO SIGNAL AND AN 8Ω LOAD.



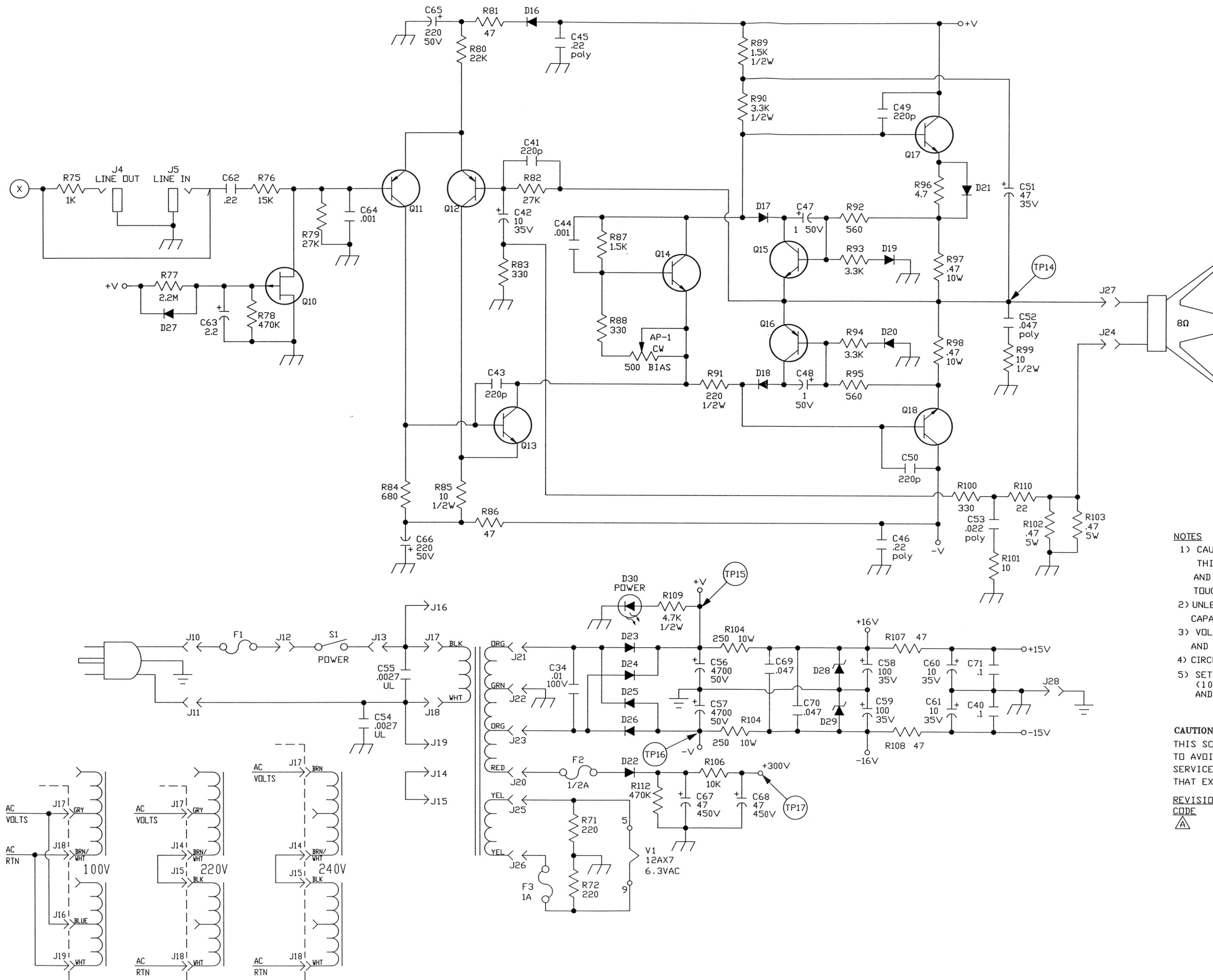
CAUTION:
THIS SCHEMATIC IS PROVIDED FOR USE BY QUALIFIED PERSONNEL. TO AVOID RISK OF ELECTRIC SHOCK, REFER SERVICING TO QUALIFIED SERVICE PERSONNEL. DO NOT PERFORM ANY SERVICING BEYOND THAT EXPLAINED IN THE OPERATING INSTRUCTIONS.

T.P.	CONDITIONS-CH.B		CONDITIONS-CH.A	
	WAVE	VOLTAGES	WAVE	VOLTAGES
1	~	110mVp-p	~	80mVp-p
2	~	70mVp-p	~	2.5mVp-p
3	~	3.4Vp-p	~	105Vp-p
4	~	1.6Vp-p	~	---
5	~	2.2Vp-p	~	---
6	~	5Vp-p	~	14Vp-p
7	---	---	~	800mVp-p
8	---	---	~	6Vp-p
9	~	22Vp-p	~	18Vp-p
10	~	Approx. 500mVp-p*	~	Approx. 400mVp-p*
11	---	0Vdc	---	+14.5Vdc
12	---	-15Vdc	---	-0Vdc
13	~	3.2Vp-p	~	8.5Vp-p
14	~	62Vp-p	~	62Vp-p
15	---	+35Vdc	---	+34Vdc
16	---	-35Vdc	---	-34Vdc
17	---	+250Vdc	---	+250Vdc

* Varies with frequency.

ORIG.	MGA 1/4/89	TEK 1/17/90	
VERS.	DRAWN BY	CHECKED BY	APPROVED BY
PAGE #	1 OF 2	DRAWING #	16-070-01
DESCRIPTION: AX-70 SCHEMATIC			

SLM ELECTRONICS
11880 BORMAN DR.
ST. LOUIS, MO 63146



Q1, Q5	J112	96-112-01
Q2, Q4, Q6	J176	96-176-01
Q10	J176	96-176-01
Q3	2N5638	96-538-01
Q7, Q8	MPS-A55	96-055-01
Q9	MPS-A06	96-006-01
Q11, Q12	2N5087	96-587-01
Q13	2N3440	96-340-01
Q14	2N3402	96-342-01
Q15	2N5088	96-588-01
Q16	2N5087	96-587-01
Q17	TIP142	96-142-01
Q18	TIP147	96-147-01
D1, D2	1N754	21A754-01
D3, D4	1N746	21A146-01
D5, D6,	1N914	21A914-01
D7	GREEN LED	21-502-01
D8, D30	RED LED	21-501-01
D9, D27	1N914	21A914-01
D10-D19	1N914	21A914-01
D21	G1752	21-752-01
D22	1N4002	21A402-01
D23-D26	1N5392	21A192-01
D28, D29	1N5353	21-553-01
J1-J5	1/4" CHR M T/S	39-119-01
J6-J9	.187 FASTON TAB	17-894-01
J10, J11	.250 FASTON TAB	17-836-01
J12, J13	.187 FASTON TAB	17-894-01
J14-J23	.250 FASTON TAB	17-836-01
J24, J27	.187 FASTON TAB	17-894-01
J25, J26	.250 FASTON TAB	17-836-01
J28	GROUND LUG	17-500-01
IC1-IC4	RC4558	37-458-01
P1	100KRA	70-104-23
P2	10KL W/PULL SW.	70-103-27
P3, P5	50KA	70-503-22
P4, P9	10KA W/PULL SW.	70-103-28
P6	250KA	70-254-22
P7	10KA	70-103-22
P8	250KL	70-306-01
P10	10KL	70-132-01
AP-1	500 OHM TRIM	71-501-02

NOTES

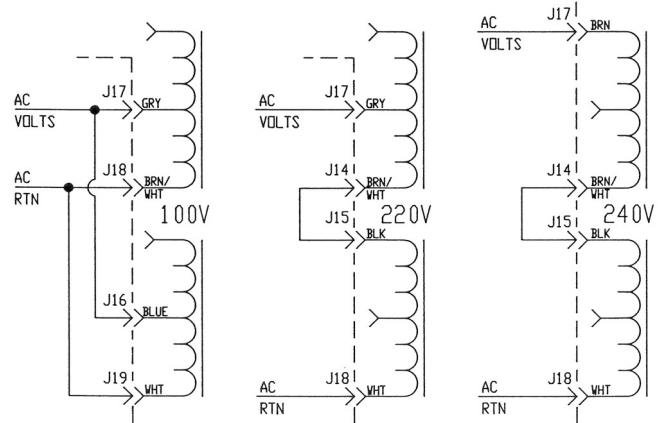
- 1) CAUTION: SHOCK HAZARD!! THIS UNIT CONTAINS HAZARDOUS VOLTAGE. DISCONNECT POWER AND BE SURE POWER SUPPLY IS DISCHARGED BEFORE TOUCHING INTERNAL PARTS.
- 2) UNLESS NOTED, RESISTOR VALUES IN OHMS, 1/4W-5% TOL. CAPACITOR VALUES IN MICROFARADS, 50V-10% TOL.
- 3) VOLTAGES ARE MEASURED WITH 1 MEGOHM OSCILLOSCOPE AND 10 MEGOHM DIGITAL VOLTMETER.
- 4) CIRCUIT GROUND \perp CHASSIS GROUND \perp
- 5) SET BIAS TO 15mV FOR MOTOROLA OUTPUT TRANSISTORS, (10mV FOR TI) ACROSS R65 OR R66 WITH NO SIGNAL AND 8 Ω LOAD.

CAUTION:

THIS SCHEMATIC IS PROVIDED FOR USE BY QUALIFIED PERSONNEL. TO AVOID RISK OF ELECTRIC SHOCK, REFER SERVICING TO QUALIFIED SERVICE PERSONNEL. DO NOT PERFORM ANY SERVICING BEYOND THAT EXPLAINED IN THE OPERATING INSTRUCTIONS.

REVISION DESCRIPTIONS

CODE	DESCRIPTION
△	ADD EXPORT WIRING AND F2, F3



EXPORT WIRING

△	MGA 2/22/90		
ORIG.	MGA 1/5/90		
VERS.	DRAWN BY	CHECKED BY	APPROVED BY
PAGE #	2 OF 2	DRAWING #	16-070-01
DESCRIPTION: AX-70 SCHEMATIC			

SLM ELECTRONICS
 11880 BORMAN DR.
 ST. LOUIS, MO 63146