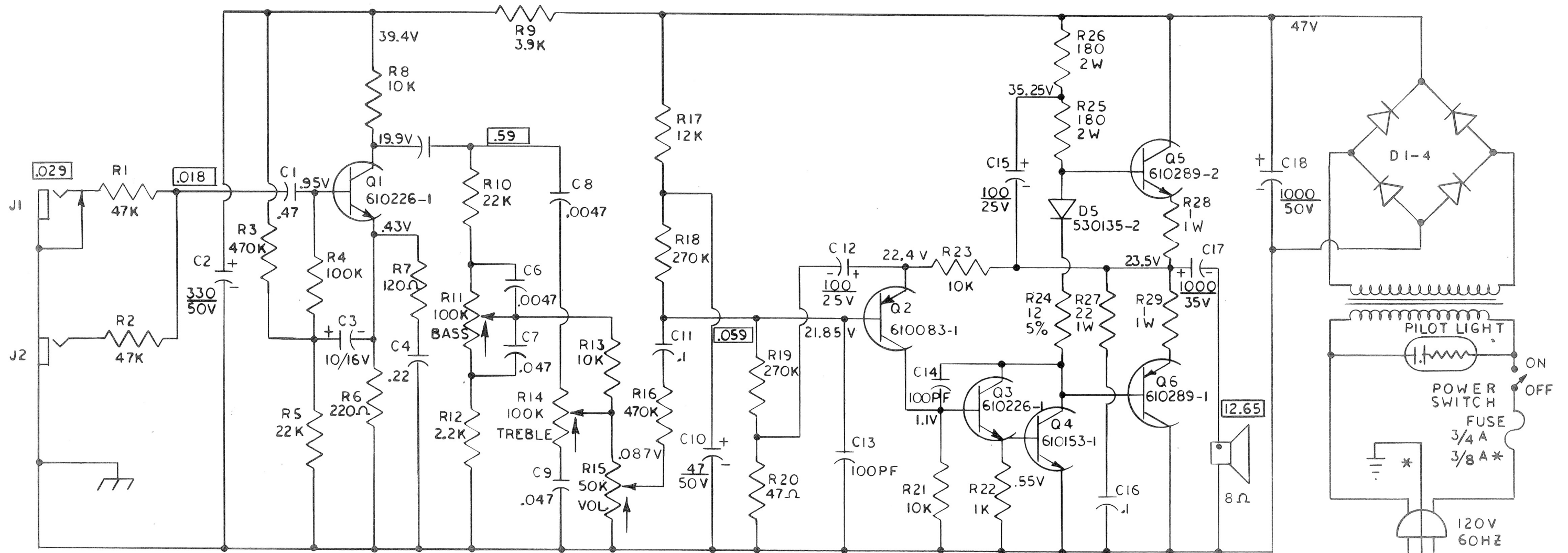


MODELS B100 AND G100 SCHEMATIC DIAGRAM (REV. A)



NOTES: UNLESS OTHERWISE SPECIFIED

1. Capacitance values are in microfarads, 10%, 100V.
2. Resistors are 1/2W, 10%, composition.
3. DC voltage readings with no signal applied, using a 20,000 Ohm/Volt voltmeter.
4. Typical signal voltage shown in boxes.
5. Actual circuit may vary slightly due to normal production changes.
6. \* Indicates export version only.

**WARNING**

For maximum safety, reliability and performance, all parts must be replaced by those having identical specifications. Under no circumstances may the original design be modified or altered without permission from the Ampeg Company.