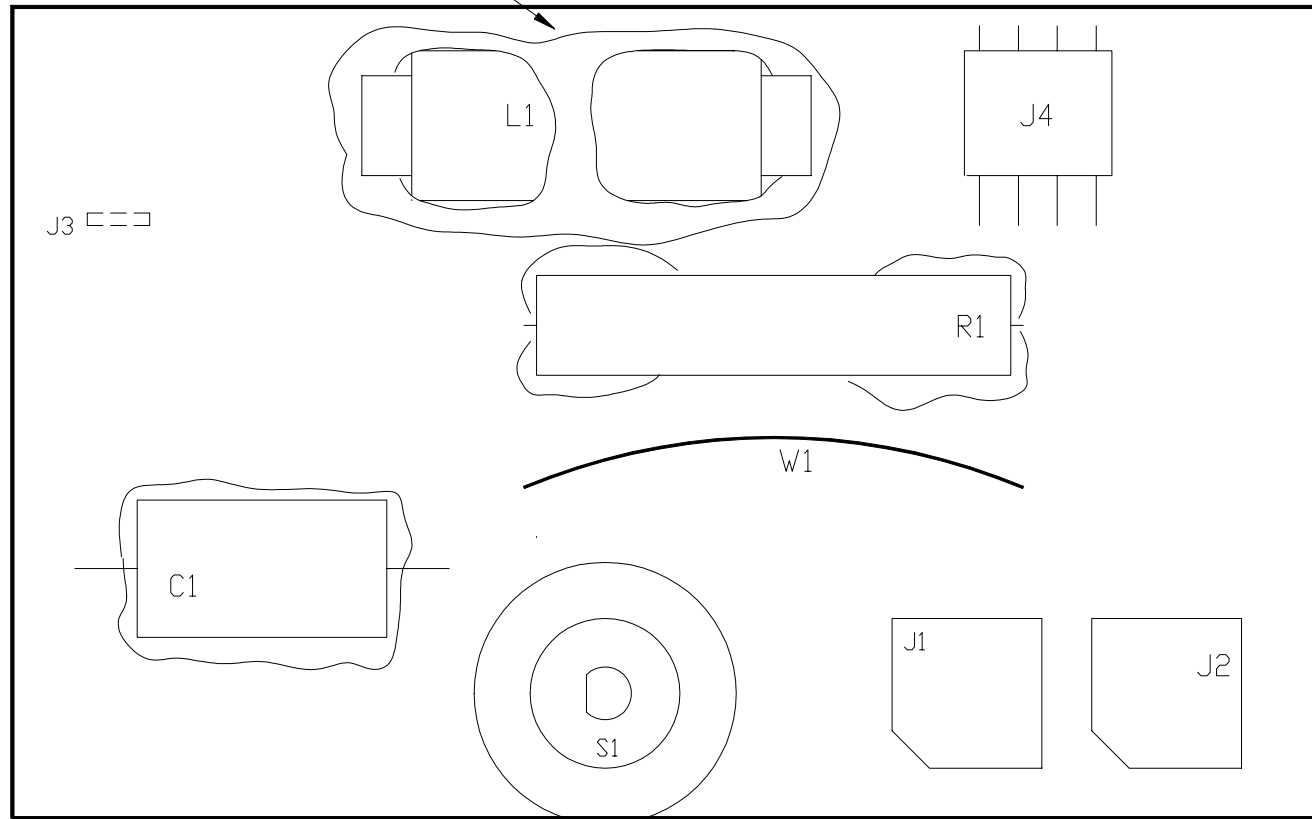
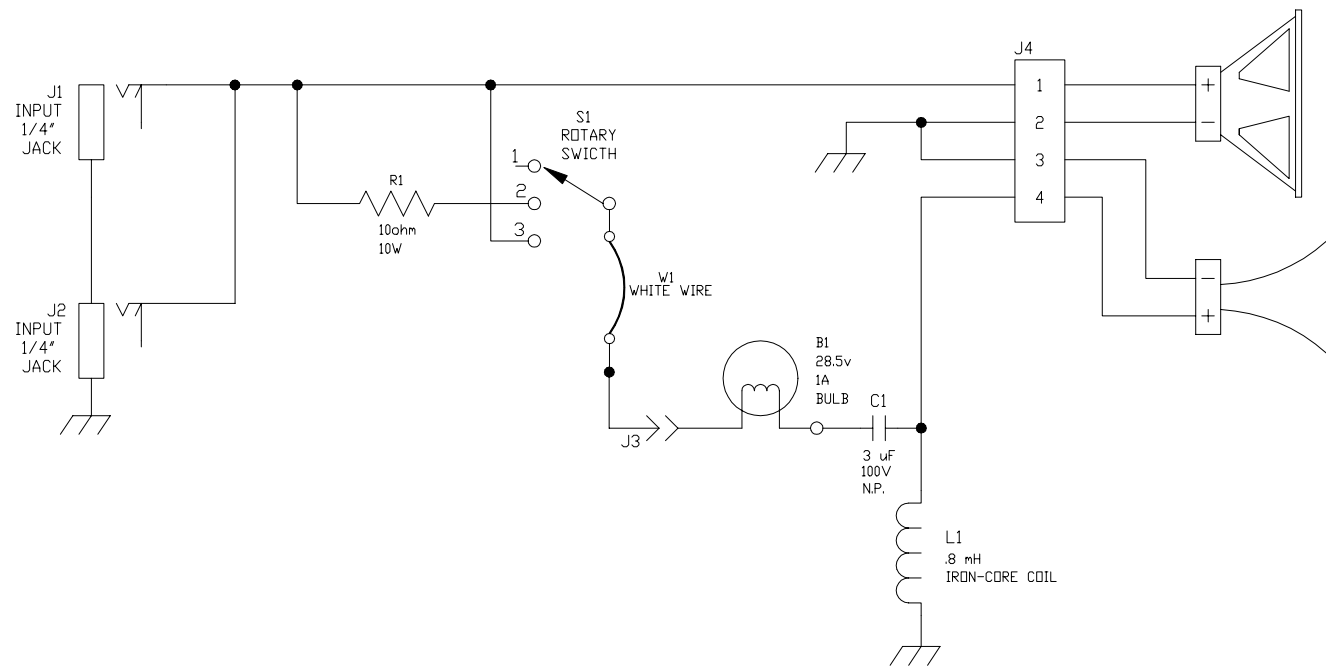


PLACE RTV SEALANT AROUND PARTS AS SHOWN  
ALLOW 24HRS TO DRY




07-729-61 ASSY

DESG.	DESC.	PART NO.
R1	10ohm 10W	78-100-10
C1	3. 0uF 100V	12-335-81
L1	.8mH COIL IRON	94-181-01
J1	112APC 1/4" JACK	39-012-01
J2	112APC 1/4" JACK	39-012-01
J3	.250" PC TAB	17-836-01
J4	4 PIN RA LDC HEADER	17-313-04
S1	DP3T ROTARY SWITCH	88-203-05
W1	3.5" WHITE WIRE	97-168-38



CAUTION:

THIS SCHEMATIC IS PROVIDED FOR USE BY QUALIFIED PERSONNEL. TO AVOID RISK OF ELECTRIC SHOCK, REFER SERVICING TO QUALIFIED SERVICE PERSONNEL. DO NOT PERFORM ANY SERVICING BEYOND THAT EXPLAINED IN THE OPERATING INSTRUCTIONS.

SIGNATURES:		DATE:		 11880 BORMAN DR. ST. LOUIS, MISSOURI 63146	
DRAWN:	DKS	07/25/95	PROJECT NAME:		
CHK'D:	DKS	10/13/95	SVT-410CA8/410CA4		
APP'D:	DKS	10/13/95	DRAWING NAME:		
ORIGINAL ISSUED:	10/13/95	CROSS-OVER BD.			
PLOT DATE:	10/13/95	DRAWING NO.		07-729-61	
PLOT TIME:	14:03:14	SCALE:		2:1 SHEET: 1 OF 1	
FILE NAME:	72961PO_				