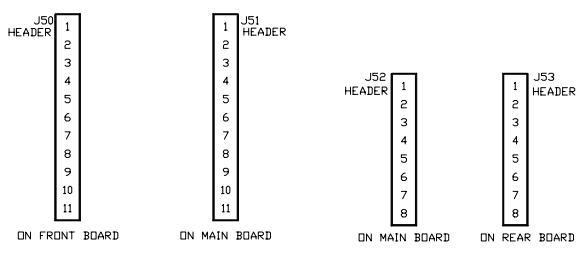


TEST POINT CONDITIONS:  
 120V 60HZ LINE VOLTAGE, PWR SW IN 100W POSITION  
 DC VOLTAGES MEASURED WITH NO SIGNAL APPLIED.  
 6L6 OUTPUT TUBES INSTALLED, SW5 IN 6L6 POSITION.  
 ALL CONTROLS @ '5' EXCEPT MASTER & BAL OUT @ '10'.  
 ULTRAHI & ULTRALD TO BE 'OFF'.



CAUTION:  
 THIS SCHEMATIC IS PROVIDED FOR USE BY QUALIFIED PERSONNEL.  
 TO AVOID RISK OF ELECTRIC SHOCK, REFER SERVICING TO QUALIFIED  
 SERVICE PERSONNEL. DO NOT PERFORM ANY SERVICING BEYOND  
 THAT EXPLAINED IN THE OPERATING INSTRUCTIONS.

NOTES:  
 1) CAUTION: SHOCK HAZARD!!  
 THIS UNIT CONTAINS HAZARDOUS VOLTAGE. DISCONNECT POWER  
 AND BE SURE POWER SUPPLY IS DISCHARGED BEFORE  
 TOUCHING INTERNAL PARTS.  
 2) UNLESS NOTED, RESISTOR VALUES IN OHMS, 1/4W-5% TOL.  
 CAPACITOR VALUES IN MICROFARADS, 50V-10% TOL.  
 3) VOLTAGES ARE MEASURED WITH 1 MEGOHM OSCILLOSCOPE  
 AND 10 MEGOHM DIGITAL VOLTMETER.

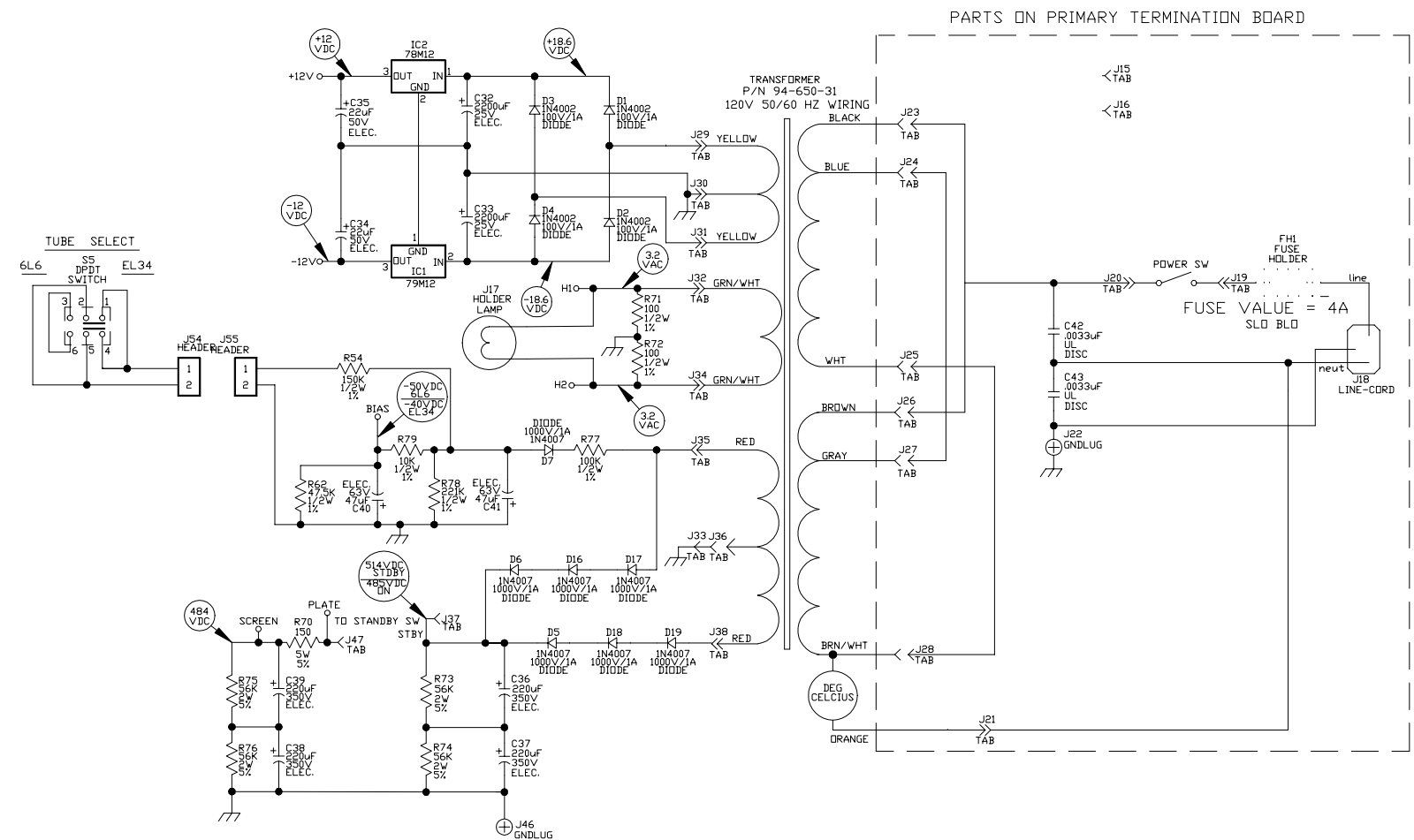
LAST DESIGNATOR USED  
 J55  
 R83  
 C45  
 S5  
 IC3  
 D19

NOT USED  
 C23, D8-15, R6  
 R63-65, 80-82

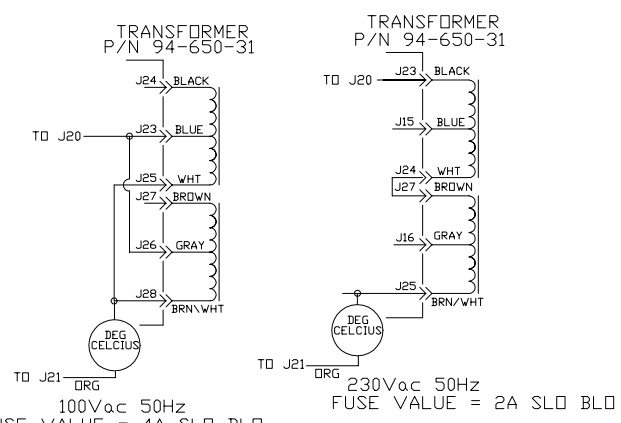
REV	DATE	BY	CHK'D	DESCRIPTION
6				
5				
4	8/3/98	REM	OK	REV_TO_MATCH_PICT_PER_E980078.

REV	DATE	BY	CHK'D	DESCRIPTION
3	10/16/97	SWR		CHANGED P/N FOR TABS J39 thru J44 ON PICT. SCHEMATIC NOT AFFECTED. PER ECO #970614.
2	08/27/97	SWR		SILKSCREEN CHANGED SCHEMATIC WAS NOT AFFECTED. PER ECO #970475.
1	06/24/97	SWR		CHANGED VALUE OF R70. REDONE IN AUTOCAD. PER ECO #970356.

SIGNATURES:		DATE:	DESCRIPTION	
DRAWN:	REM	3/5/97	11880 BORMAN DR. ST. LOUIS, MISSOURI 63146	
CHK'D:	OK	3/5/97	PROJECT NAME: B-15	
APP'D:	OK	3/5/97	DRAWING NAME: SCHEMATIC DRAWING	
ORIGINAL ISSUED:	3/5/97	DRAWING NO. 07S267-01 REV 4		
PLOT DATE:	11/18/98	SCALE: 1:1 SHEET: 1 OF 2		
PLOT TIME:	08:35:24	FILE NAME: 26701H4_		



PARTS ON PRIMARY TERMINATION BOARD



EXPORT WIRING

CAUTION: THIS SCHEMATIC IS PROVIDED FOR USE BY QUALIFIED PERSONNEL. TO AVOID RISK OF ELECTRIC SHOCK, REFER SERVICING TO QUALIFIED SERVICE PERSONNEL. DO NOT PERFORM ANY SERVICING BEYOND THAT EXPLAINED IN THE OPERATING INSTRUCTIONS.

SEE SHEET 1 OF 2 FOR REVISION HISTORY

- NOTES:
- 1) CAUTION: SHOCK HAZARD!! THIS UNIT CONTAINS HAZARDOUS VOLTAGE. DISCONNECT POWER AND BE SURE POWER SUPPLY IS DISCHARGED BEFORE TOUCHING INTERNAL PARTS.
  - 2) UNLESS NOTED, RESISTOR VALUES IN OHMS, 1/4W-5% TOL. CAPACITOR VALUES IN MICROFARADS, 50V-10% TOL.
  - 3) VOLTAGES ARE MEASURED WITH 1 MEGOHM OSCILLOSCOPE AND 10 MEGOHM DIGITAL VOLTMETER.
  - 4) TEST POINT CONDITIONS: 120V 60HZ LINE VOLTAGE, PWR SW IN 100W POSITION DC VOLTAGES MEASURED WITH NO SIGNAL APPLIED. 6L6 OUTPUT TUBES INSTALLED, SW5 IN 6L6 POSITION. ALL CONTROLS @ '5' EXCEPT MASTER & BAL OUT @ '10'. ULTRAHI & ULTRALD TO BE 'OFF'.

SIGNATURES:		DATE:	11880 BORMAN DR. ST. LOUIS, MISSOURI 63146	
DRAWN:	REM	3/5/97	PROJECT NAME:	
CHK'D:	OK	3/5/97	B-15	
APP'D:	OK	3/5/97	DRAWING NAME:	
ORIGINAL ISSUED:		3/5/97	SCHEMATIC DRAWING	
PLOT DATE:		11/18/98	DRAWING NO. 07S267-01	
PLOT TIME:		08:35:24	REV 4_	
FILE NAME:		26701H4_	SCALE: 1:1 SHEET: 2 OF 2	