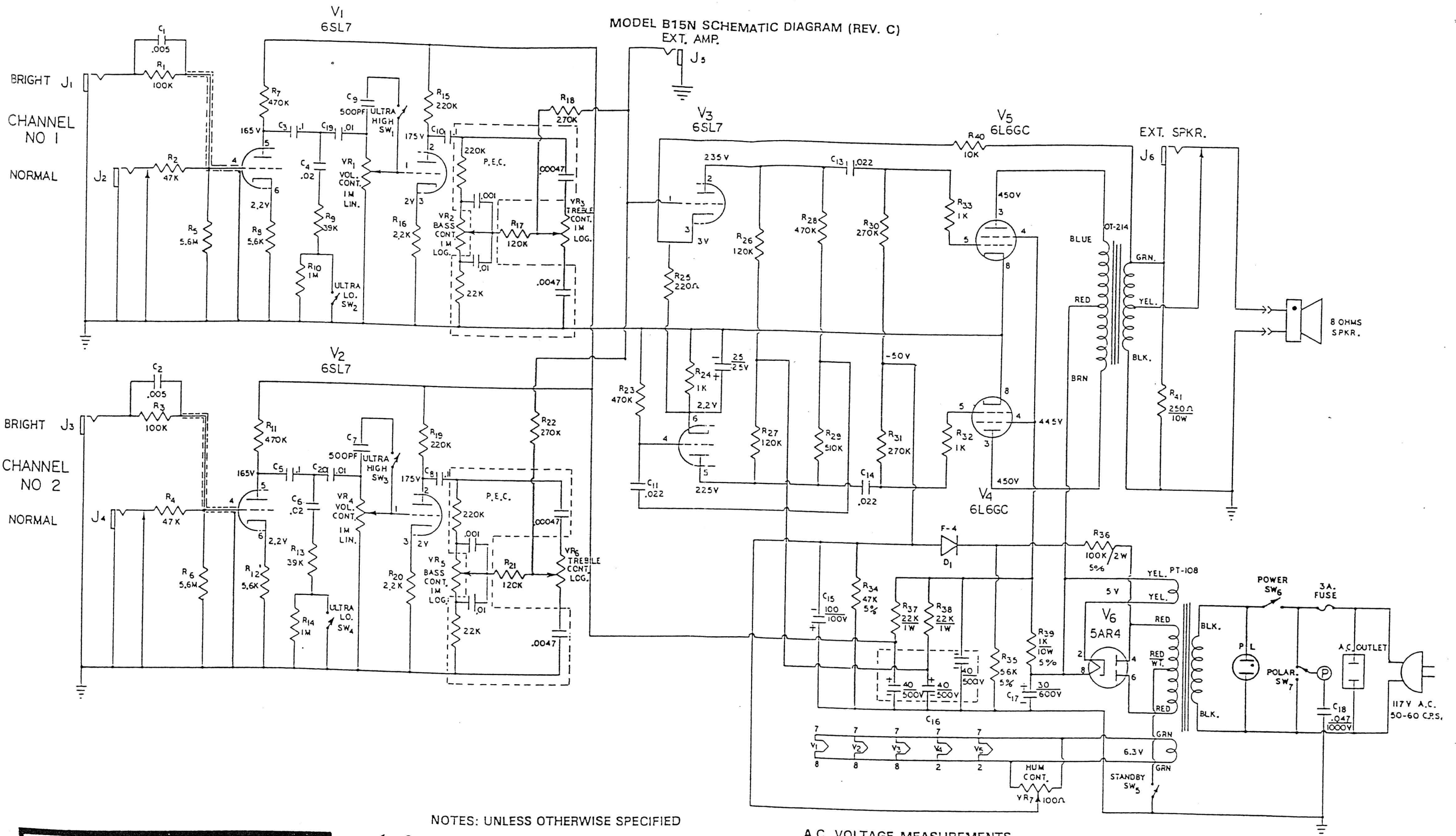


MODEL B15N SCHEMATIC DIAGRAM (REV. C)
EXT. AMP.



NOTES: UNLESS OTHERWISE SPECIFIED

1. Capacitance values are in microfarads, 10%, 400V.
2. Resistors are 1/2 W, 10%, composition.
3. D.C. voltage readings taken with no signal applied using a 20,000 ohm/volt voltmeter.
4. Actual circuit may vary slightly due to normal production changes.

A.C. VOLTAGE MEASUREMENTS

Note: Use a 20,000 Ohm/Volt Voltmeter with Bass and Treble controls at mid-position and ultra hi and ultra lo switches off.

INPUT: .3V A.C. 400/cps.

OUTPUT: 11V A.C. across 8 ohms load.

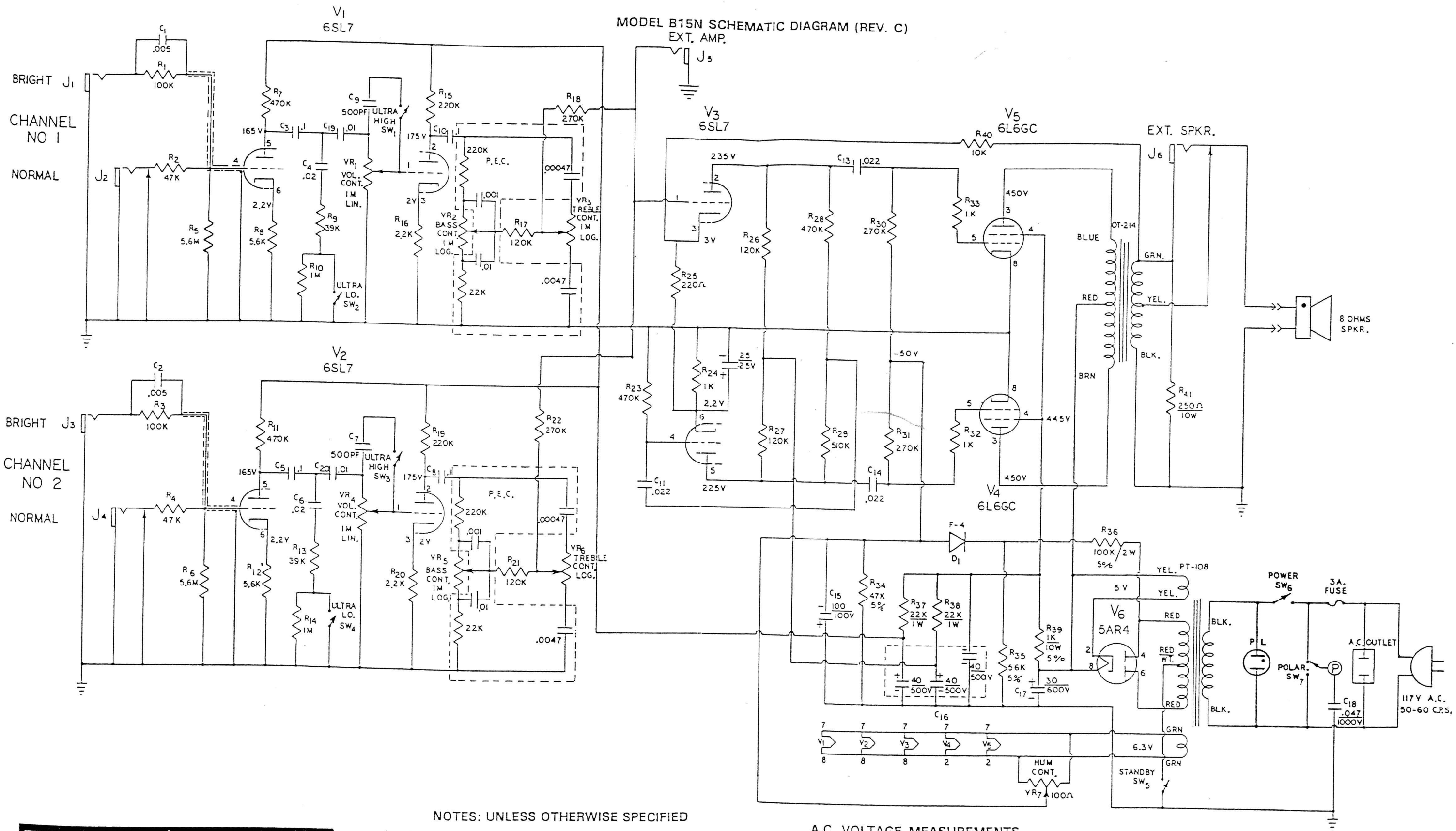
REF. TUBE	PIN									
V 1	6SL7	1	2	3	4	5	6	7	8	9
V 2	6SL7	1	2	3	4	5	6	7	8	9

- * - V 1 and V 2 Pin 1
.85V ultra Hi switch "on", and ultra Lo switch "off".
.16V ultra Hi switch "off", and ultra Lo switch "on".
.22V ultra Hi switch "on", and ultra Lo switch "on".
- * - V 1 and V 2 Pin 5

WARNING

For maximum safety, reliability and performance, all parts must be replaced by those having identical specifications. Under no circumstances may the original design be modified or altered without permission from the Ampeg Company.

MODEL B15N SCHEMATIC DIAGRAM (REV. C)



NOTES: UNLESS OTHERWISE SPECIFIED

1. Capacitance values are in microfarads, 10%, 400V.
2. Resistors are 1/2 W, 10%, composition.
3. D.C. voltage readings taken with no signal applied using a 20,000 ohm/volt voltmeter.
4. Actual circuit may vary slightly due to normal production changes.

A.C. VOLTAGE MEASUREMENTS

Note: Use a 20,000 Ohm/Volt Voltmeter with Bass and Treble controls at mid-position and ultra hi and ultra lo switches off.

INPUT: .3V A.C. 400/cps.

OUTPUT: 11V A.C. across 8 ohms load.

REF. TUBE	PIN								
V 1 6SL7	1	2	3	4	5	6	7	8	9
V 2 6SL7	.65V	19V	.29V	6.5V		Fil.	Fil.		

- * - V 1 and V 2 Pin 1
.85V ultra Hi switch "on", and ultra Lo switch "off".
.16V ultra Hi switch "off", and ultra Lo switch "on".
.22V ultra Hi switch "on", and ultra Lo switch "on".
- * - V 1 and V 2 Pin 5

WARNING

For maximum safety, reliability and performance, all parts must be replaced by those having identical specifications. Under no circumstances may the original design be modified or altered without permission from the Ampeg Company.