

BIAS ADJUSTMENT: WITH NO SIGNAL AND NO LOAD  
 ADJUST AP101 TO OBTAIN AN AVERAGE OF 25 ± 5mV ACROSS R139, 140, 146, 147, 152, 153, 158, 159, 164, 165.  
 ADJUST AP201 TO OBTAIN AN AVERAGE OF 25 ± 5mV ACROSS R239, 240, 246, 247, 252, 253, 258, 259, 264, 265.

T.P.	NO SIGNAL	40VRMS OUT @ 8 OHMS	LIMITING @ 8 OHMS	AS NOTED WAVEFORM
1		0.68Urms	0.79Urms	~
2		0.68Urms	0.79Urms	~
3	+/-20mVdc	1.5V	1.5V	~
4	+/-1Vdc	2.6Vdc	2.6Vdc	~
5	+7mVdc	1.9mV	2.7mV	~
6	+5Udc	+4.82Udc	+4.82Udc	~
7	-5Udc	-5.12Udc	-5.12Udc	~
8	0V	+43.6mVdc	+74mVdc	~

SHEETS 1, 2 & 3 OF THIS DRAWING REPRESENT ASSY P/N 07-442-03

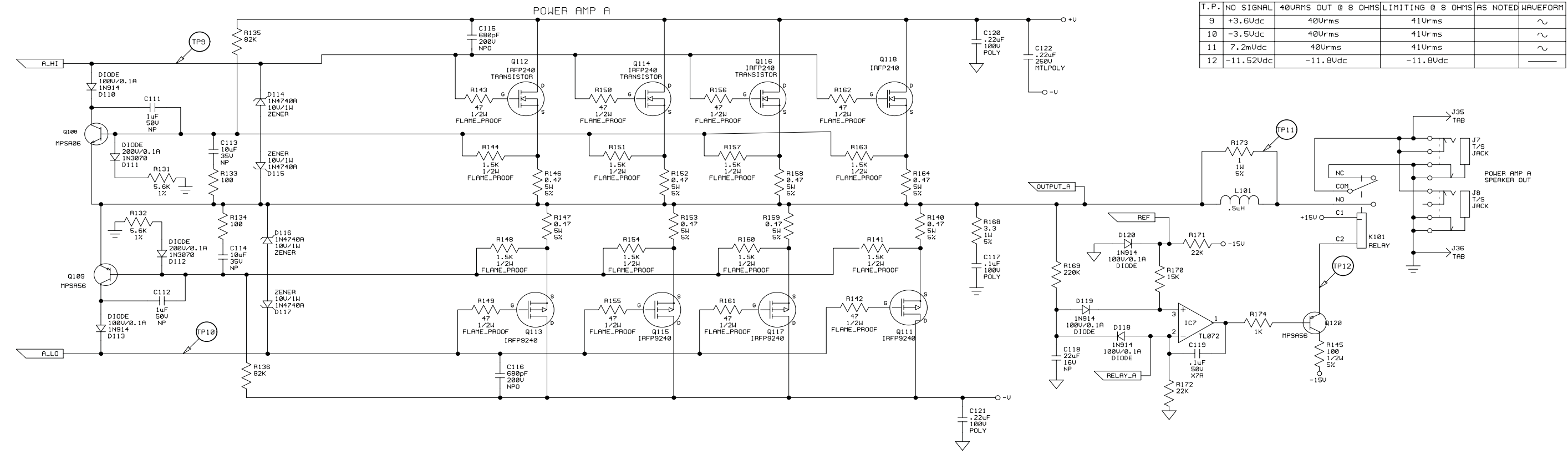
- NOTES:
- THIS UNIT CONTAINS HAZARDOUS VOLTAGE. DISCONNECT POWER AND BE SURE POWER SUPPLY IS DISCHARGED BEFORE TOUCHING INTERNAL PARTS.
  - UNLESS NOTED, RESISTOR VALUES IN OHMS, 1/4W-5% TOL. CAPACITOR VALUES IN MICROFARADS, 50V-10% TOL.
  - VOLTAGES ARE MEASURED WITH 1 MEGOHM OSCILLOSCOPE AND 10 MEGOHM DIGITAL VOLTMETER.

CAUTION:  
 THIS SCHEMATIC IS PROVIDED FOR USE BY QUALIFIED PERSONNEL. TO AVOID RISK OF ELECTRIC SHOCK, REFER SERVICING TO QUALIFIED SERVICE PERSONNEL. DO NOT PERFORM ANY SERVICING BEYOND THAT EXPLAINED IN THE OPERATING INSTRUCTIONS.

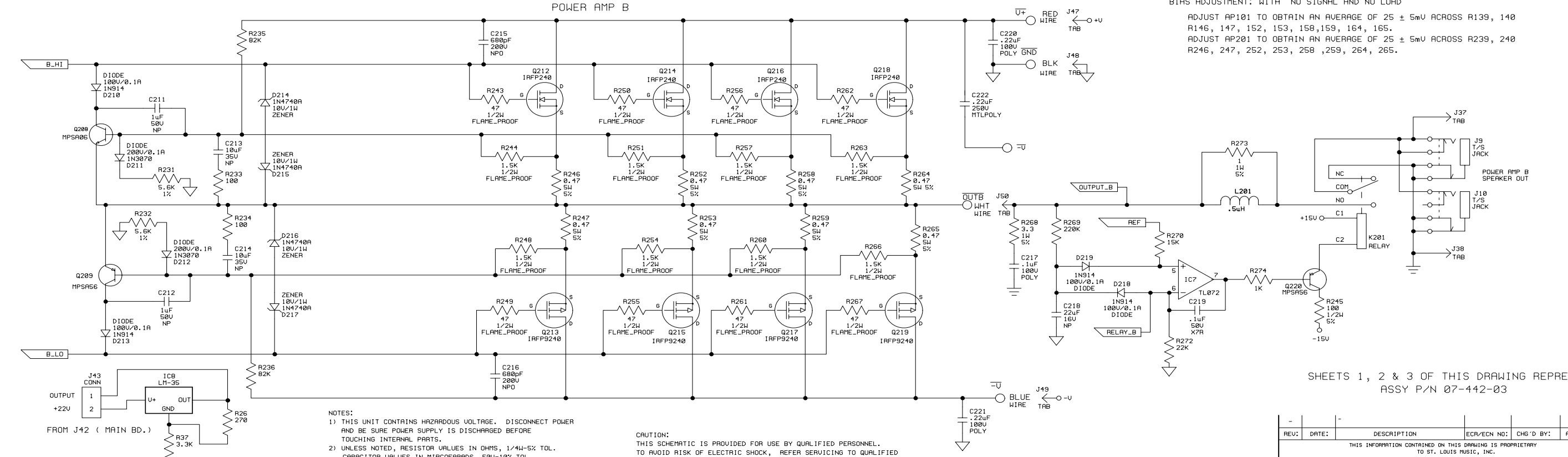
REV	DATE	DESCRIPTION	ECR/ECN NO	CHG'D BY	APP'D BY	DATE
9	12/16/05	CHANGED_R24_ON-21 FROM 1K TO 2.2K				
8	7/8/05	CHG D1C4 FROM 7815 TO 7815 5V 3.0 8.12,15				
7	5/20/05	R23 FROM 1K TO 1N514-21 ASSY R23 FROM 1N514 TO 1K-12 ASSY				
6	2/23/05	CHANGED_R23_TO_1N514 ON-DAMP_L2				
5	3/2/04	ADDED_SHEETS_10_THRU_15 TO_CREATE_DASH_4_AND_12				
4	1/08/03	DRAWING_CORRECTION_ADDED_MISSING_LINES +22V & -20V SHEET 3				
3	5/30/01	ADDED_SHTS_7_8_9_TO_CREATE_NEW VERSION_SHEET_P/N-07-442-21				
2	9-28-00	REMOVED_SOME_LINE_SEGMENTS SCHEMATIC_DOCUMENTATION_ERROR				
1	11-30-99	CHANGED_TO_-03-11_VERSIONS				

SIGNATURES:	DATE:	11800 Borman Dr. St. Louis, Missouri 63146
DRAWN: REM	6-25-98	
CHK'D:		FIRST USED ON:
RLS'D:		
TOLERANCES:	DRAWING SIZE: D	DRAWING TITLE: POWER_AMP
	DRAWING TYPE: - SCHEMATIC	DRAWING NO.:
	CLASS CODE:	
	SCALE: NONE	SHEET: SHT 1 OF 15



T.P.	NO SIGNAL	40URMS OUT @ 8 OHMS	LIMITING @ 8 OHMS	AS NOTED	WAVEFORM
9	+3.6Udc	40Urms	41Urms		~
10	-3.5Udc	40Urms	41Urms		~
11	7.2mUdc	40Urms	41Urms		~
12	-11.52Udc	-11.8Udc	-11.8Udc		—



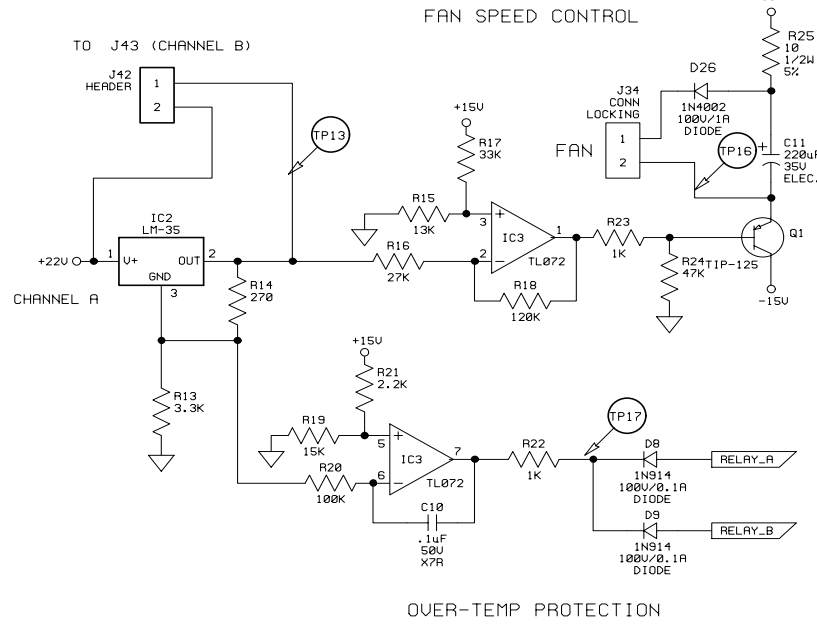
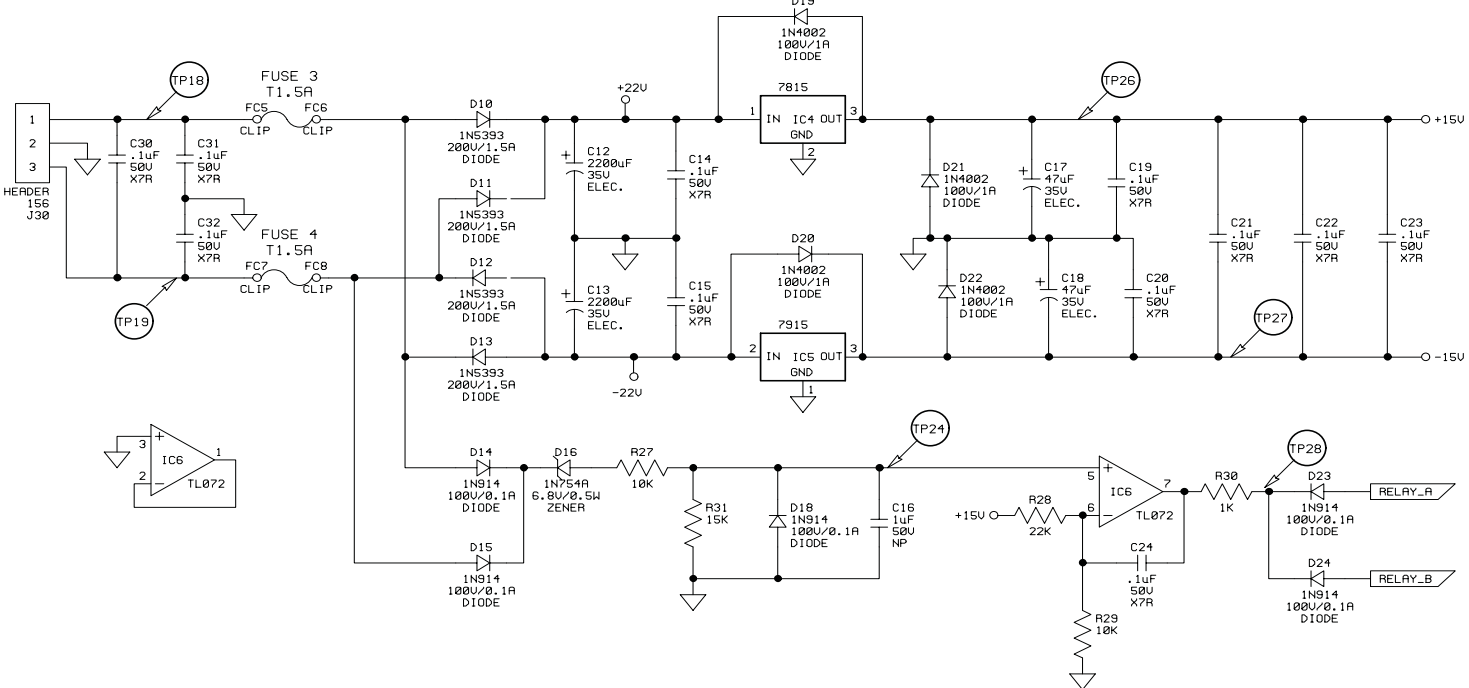
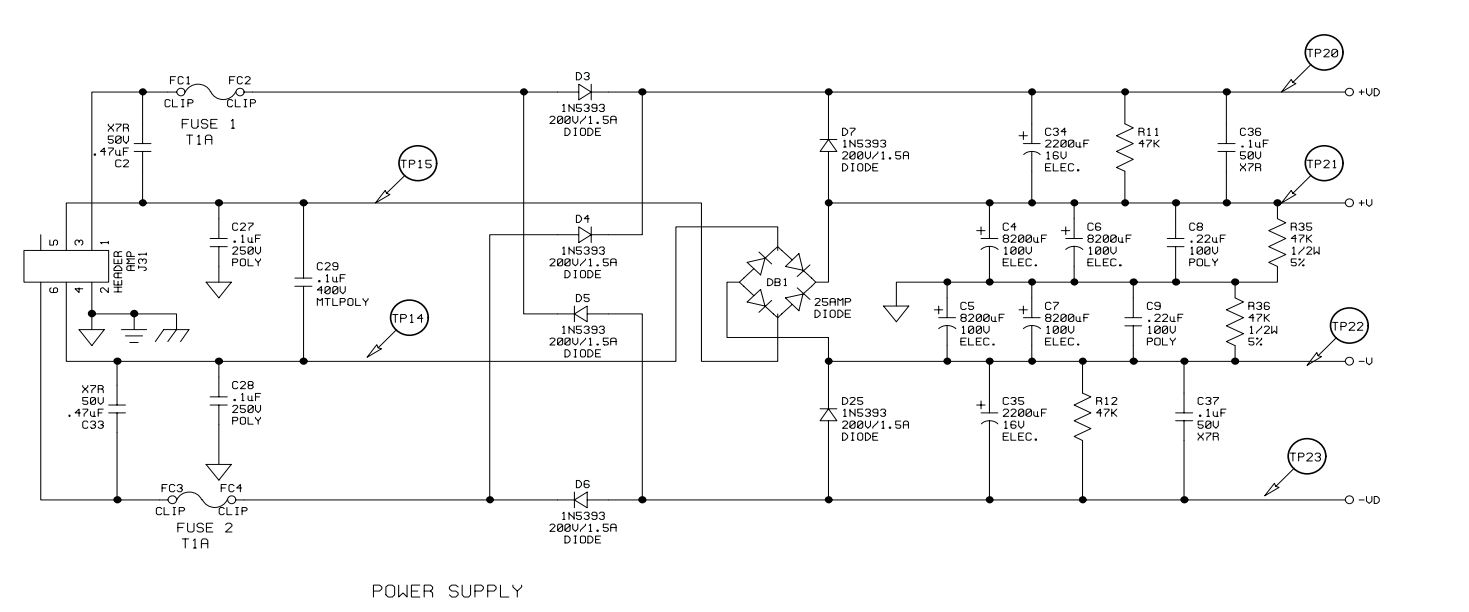
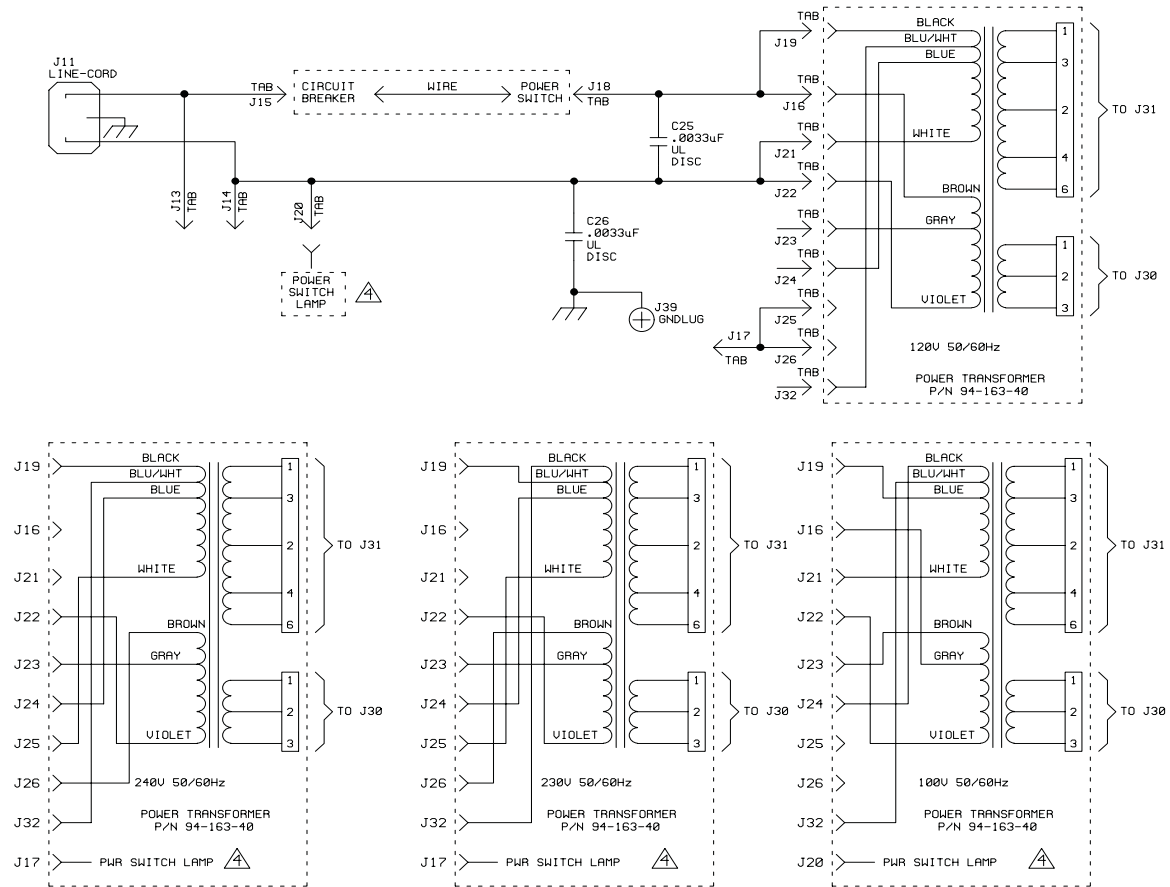
BIAS ADJUSTMENT: WITH NO SIGNAL AND NO LOAD  
 ADJUST AP101 TO OBTAIN AN AVERAGE OF 25 ± 5mV ACROSS R139, 140, 146, 147, 152, 153, 158, 159, 164, 165.  
 ADJUST AP201 TO OBTAIN AN AVERAGE OF 25 ± 5mV ACROSS R239, 240, 246, 247, 252, 253, 258, 259, 264, 265.

SHEETS 1, 2 & 3 OF THIS DRAWING REPRESENT ASSY P/N 07-442-03

- NOTES:
- THIS UNIT CONTAINS HAZARDOUS VOLTAGE. DISCONNECT POWER AND BE SURE POWER SUPPLY IS DISCHARGED BEFORE TOUCHING INTERNAL PARTS.
  - UNLESS NOTED, RESISTOR VALUES IN OHMS, 1/4W-5% TOL. CAPACITOR VALUES IN MICROFARADS, 50V-10% TOL.
  - VOLTAGES ARE MEASURED WITH 1 MEGOHM OSCILLOSCOPE AND 10 MEGOHM DIGITAL VOLTMETER.

CAUTION:  
 THIS SCHEMATIC IS PROVIDED FOR USE BY QUALIFIED PERSONNEL. TO AVOID RISK OF ELECTRIC SHOCK, REFER SERVICING TO QUALIFIED SERVICE PERSONNEL. DO NOT PERFORM ANY SERVICING BEYOND THAT EXPLAINED IN THE OPERATING INSTRUCTIONS.

REV:	DATE:	DESCRIPTION	ECR/ECN NO:	CHK'D BY:	APP'D BY:	DATE:
THIS INFORMATION CONTAINED ON THIS DRAWING IS PROPRIETARY TO ST. LOUIS MUSIC, INC.						
SIGNATURES:		DATE:		11800 Borman Dr., St. Louis, Missouri 63146		
DRAWN: REM		6-25-98		FIRST USED ON:		
CHK'D:				DRAWING TITLE: POWER_AMP		
TOLERANCES:		DRAWING SIZE: D		DRAWING NO.: 07S442-XX		
		DRAWING TYPE: - SCHEMATIC		SCALE: NONE		
		CLASS CODE:		SHEET: SH2 2 OF 15		



NOTES:

- 1) THIS UNIT CONTAINS HAZARDOUS VOLTAGE. DISCONNECT POWER AND BE SURE POWER SUPPLY IS DISCHARGED BEFORE TOUCHING INTERNAL PARTS.
- 2) UNLESS NOTED, RESISTOR VALUES IN OHMS, 1/4-5% TOL. CAPACITOR VALUES IN MICROFARADS, 50%-10% TOL.
- 3) VOLTAGES ARE MEASURED WITH 1 MEGOHM OSCILLOSCOPE AND 10 MEGOHM DIGITAL VOLTMETER.
- 4) IF REQUIRED FOR CHASSIS ASSY.

CAUTION: THIS SCHEMATIC IS PROVIDED FOR USE BY QUALIFIED PERSONNEL. TO AVOID RISK OF ELECTRIC SHOCK, REFER SERVICING TO QUALIFIED SERVICE PERSONNEL. DO NOT PERFORM ANY SERVICING BEYOND THAT EXPLAINED IN THE OPERATING INSTRUCTIONS.

TP	NO SIGNAL	40URMS OUT @ 8 OHMS	LIMITING @ 8 OHMS	AS NOTED	WAVEFORM
13	VARIES w/TEMP	Varies w/temp.	Varies w/temp.		
14	61Vac	51Vac	51Vac		~
15	61Vac	51Vac	51Vac		~
16	+14Vdc	-4.6Vdc	-4.6Vdc		
17	+14.4Vdc	+14.4Vdc	+14.4Vdc		
18	20Vac	19Vac	19Vac		~
19	20Vac	19Vac	19Vac		~
20	+71Vdc	+64.5Vdc	+64.5Vdc		
21	+63Vdc	+59Vdc	+59Vdc		
22	-63Vdc	-59Vdc	-59Vdc		
23	-71Vdc	-64.5Vdc	-64.5Vdc		
24	+6Vdc	+5.73Vdc	+5.73Vdc		
25	NOT USED				
26	+15Vdc	+15Vdc	+15Vdc		
27	-15Vdc	-15Vdc	-15Vdc		
28	+14.3Vdc	+14.3Vdc	+14.3Vdc		

SHEETS 1, 2 & 3 OF THIS DRAWING REPRESENT ASSY P/N 07-442-03

REV: 8	DATE: 7/8/05	DESCRIPTION: SEE SHEET 1	ECR/ECD NO: N01867	CHG'D BY:	APP'D BY:	DATE:
THIS INFORMATION CONTAINED ON THIS DRAWING IS PROPRIETARY TO ST. LOUIS MUSIC, INC.						
SIGNATURES:			DATE: 6-25-98			
DRAWN: REM		CHK'D:		FIRST USED ON:		11800 Borman Dr., St. Louis, Missouri 63146
TOLERANCES:			DRAWING TITLE: POWER_AMP			
DRAWING SIZE: D			DRAWING NO.: 07S442-XX			
CLASS CODE:			SHEET: SHT 3 OF 15			

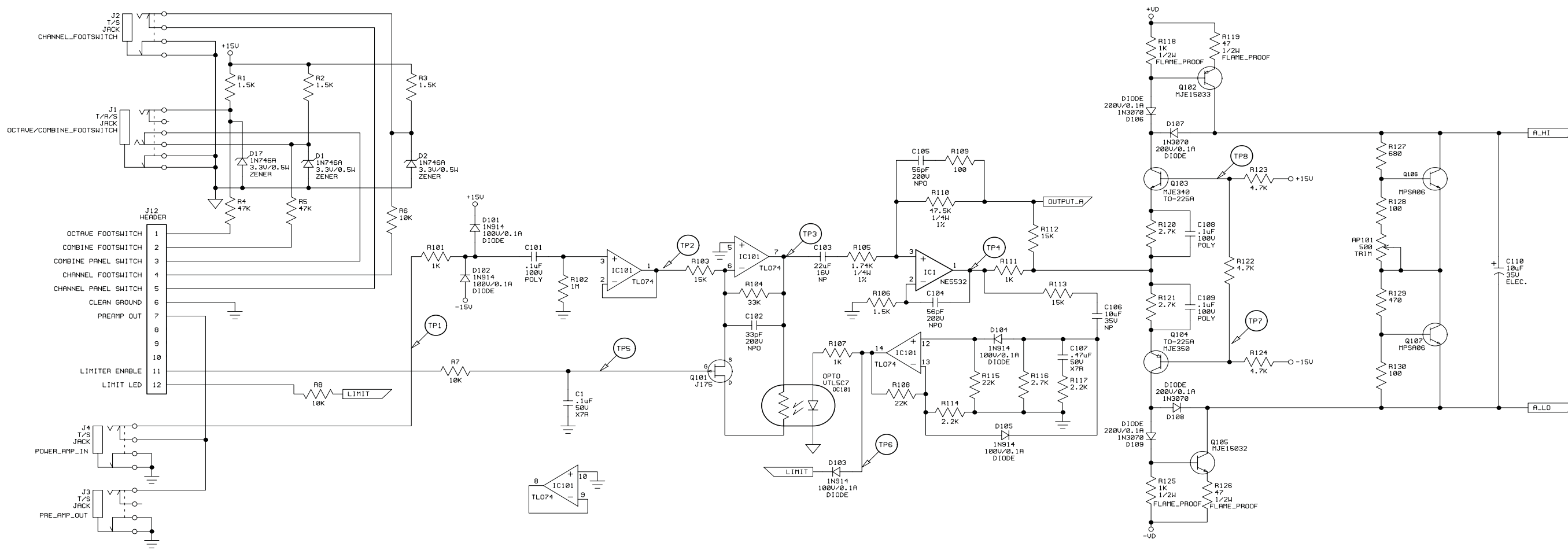


B4R

©2007 LOUD Technologies Inc. All rights reserved

Power Amplifier PCB Schematics

PAGE 3



BIAS ADJUSTMENT: WITH NO SIGNAL AND NO LOAD  
 ADJUST AP101 TO OBTAIN AN AVERAGE OF 25 ± 5mV ACROSS R139, 140  
 R146, 147, 152, 153, 158, 159, 164, 165.

T.P.	NO SIGNAL	40Vrms OUT @ 8 OHMS	LIMITING @ 8 OHMS AS NOTED	WAVEFORM
1	0.68Vrms	0.68Vrms	0.79Vrms	~
2	0.68Vrms	0.68Vrms	0.79Vrms	~
3	+/-20mVdc	1.5V	1.5V	~
4	+/-1Vdc	2.6Vdc	2.6Vdc	AS SHOWN PER COLUMN
5	+7mVdc	1.9mV	2.7mV	~
6	+5Vdc	+4.82Vdc	+4.82Vdc	~
7	-5Vdc	-5.12Vdc	-5.12Vdc	~
8	0V	+43.6mVdc	+74mVdc	~

SHEETS 4, 5 & 6 OF THIS DRAWING REPRESENTS  
 ASSY P/N 07-442-11

NOTES:  
 1) THIS UNIT CONTAINS HAZARDOUS VOLTAGE. DISCONNECT POWER AND BE SURE POWER SUPPLY IS DISCHARGED BEFORE TOUCHING INTERNAL PARTS.  
 2) UNLESS NOTED, RESISTOR VALUES IN OHMS, 1/4W-5% TOL. CAPACITOR VALUES IN MICROFARADS, 50V-10% TOL.  
 3) VOLTAGES ARE MEASURED WITH 1 MEGOHM OSCILLOSCOPE AND 10 MEGOHM DIGITAL VOLTMETER.

CAUTION:  
 THIS SCHEMATIC IS PROVIDED FOR USE BY QUALIFIED PERSONNEL. TO AVOID RISK OF ELECTRIC SHOCK, REFER SERVICING TO QUALIFIED SERVICE PERSONNEL. DO NOT PERFORM ANY SERVICING BEYOND THAT EXPLAINED IN THE OPERATING INSTRUCTIONS.

REV:	DATE:	DESCRIPTION:	ECR/ECN NO:	CHG'D BY:	APP'D BY:	DATE:
THIS INFORMATION CONTAINED ON THIS DRAWING IS PROPRIETARY TO ST. LOUIS MUSIC, INC.						
SIGNATURES:		DATE:		11800 Borman Dr. St. Louis, Missouri 63146		
DRAWN: REM		6-25-98		FIRST USED ON:		
CHK'D:				-		
ALS'D:				-		
DRAWING SIZE: D SCHEMATIC		DRAWING TITLE: POWER_AMP				
DRAWING TYPE: -		DRAWING NO.: 07S442-XX				
CLASS CODE:						
SCALE: NONE		SHEET: SHT 4 OF 15				

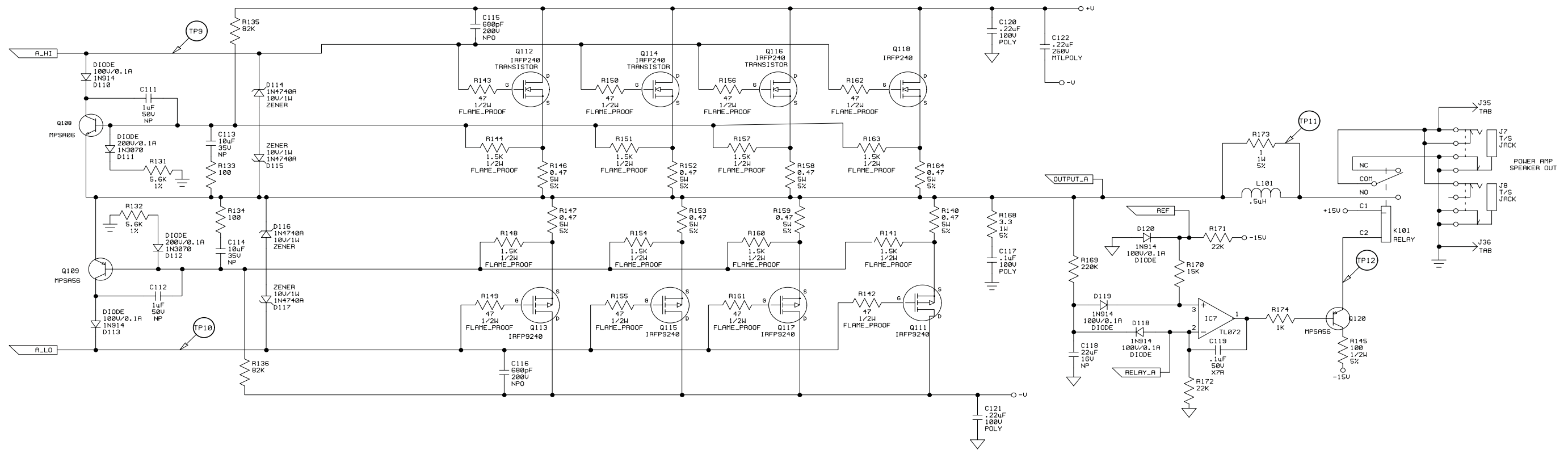


B4R

©2007 LOUD Technologies Inc. All rights reserved

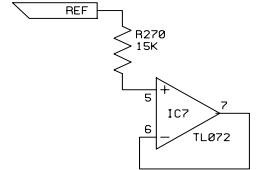
Power Amplifier PCB Schematics

PAGE 4



BIAS ADJUSTMENT: WITH NO SIGNAL AND NO LOAD  
 ADJUST AP101 TO OBTAIN AN AVERAGE OF 25 ± 5mV ACROSS R139, 140  
 R146, 147, 152, 153, 158, 159, 164, 165.

T.P.	NO SIGNAL	40VRMS OUT @ 8 OHMS	LIMITING @ 8 OHMS	AS NOTED	WAVEFORM
9	+3.6Vdc	40Urms	41Urms		~
10	-3.5Vdc	40Urms	41Urms		~
11	7.2mVdc	40Urms	41Urms		~
12	-11.52Vdc	-11.8Vdc	-11.8Vdc		—



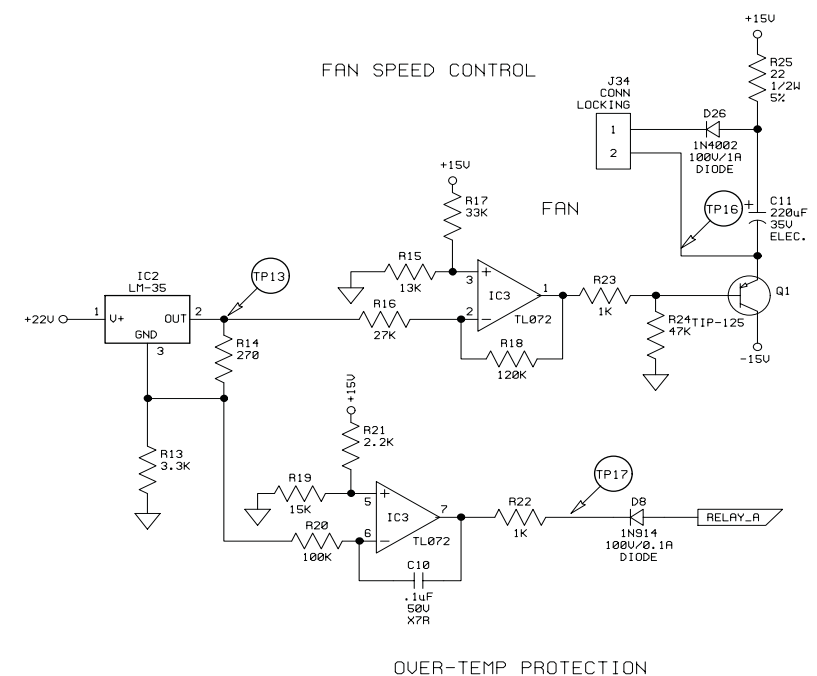
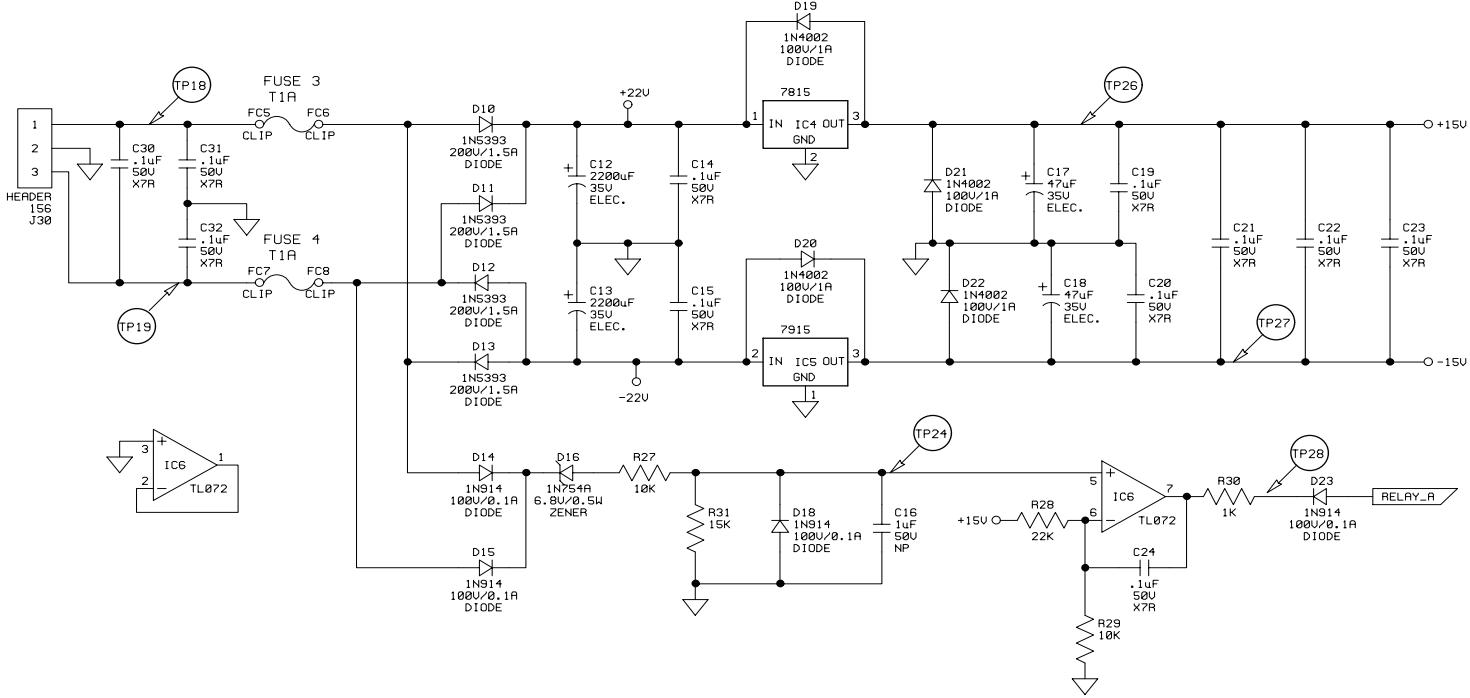
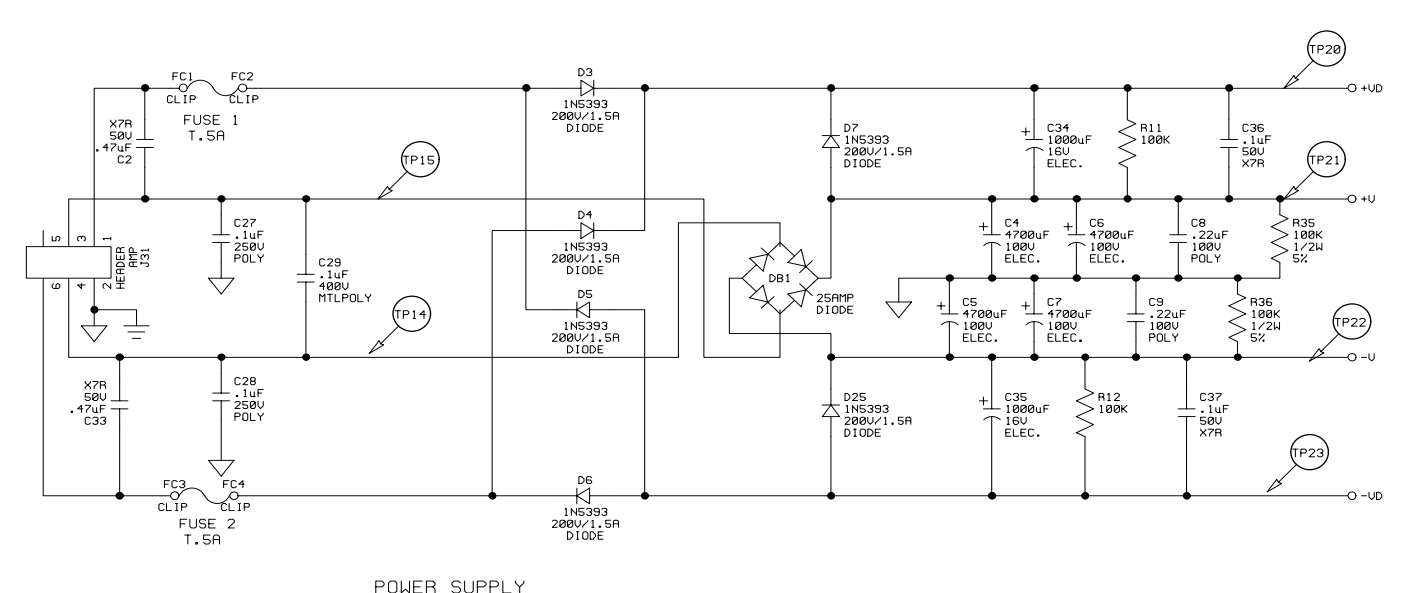
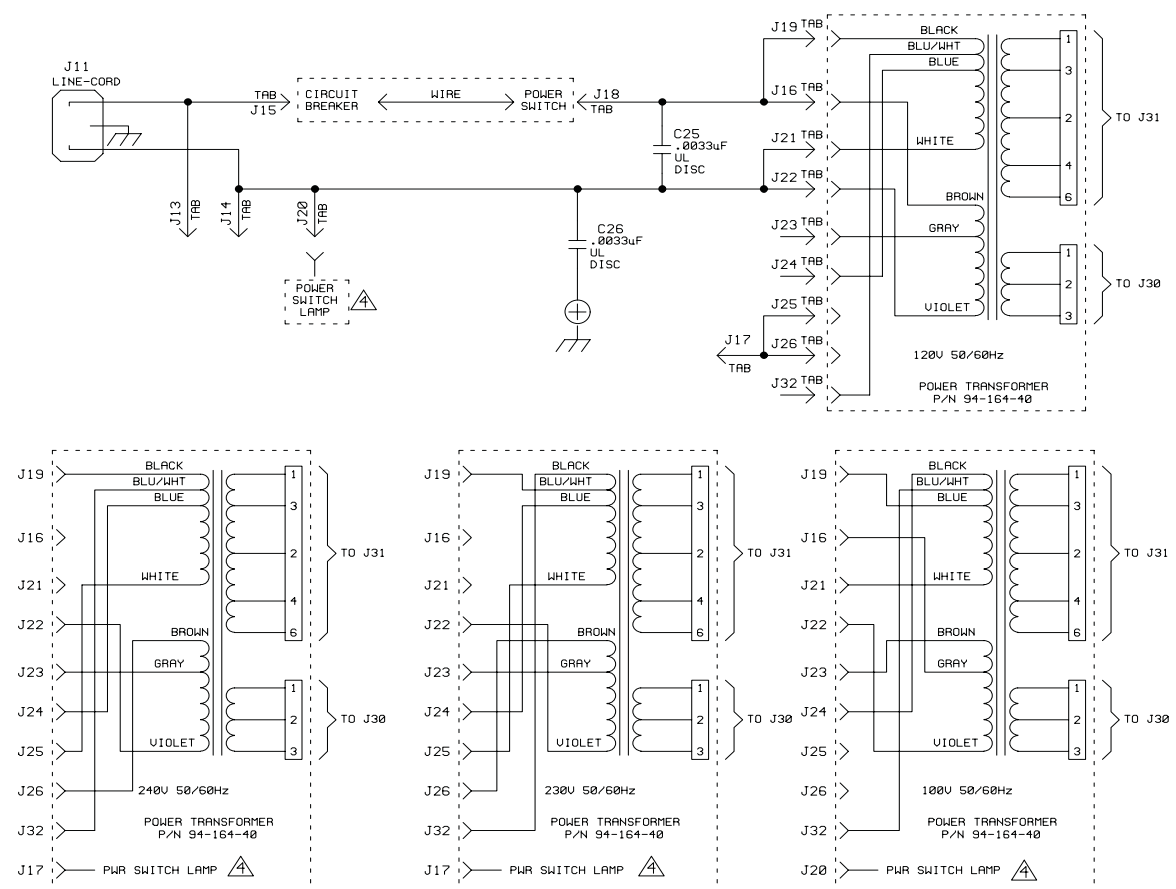
- NOTES:
- 1) THIS UNIT CONTAINS HAZARDOUS VOLTAGE. DISCONNECT POWER AND BE SURE POWER SUPPLY IS DISCHARGED BEFORE TOUCHING INTERNAL PARTS.
  - 2) UNLESS NOTED, RESISTOR VALUES IN OHMS, 1/4W-5% TOL. CAPACITOR VALUES IN MICROFARADS, 50V-10% TOL.
  - 3) VOLTAGES ARE MEASURED WITH 1 MEGOHM OSCILLOSCOPE AND 10 MEGOHM DIGITAL VOLTMETER.

CAUTION:  
 THIS SCHEMATIC IS PROVIDED FOR USE BY QUALIFIED PERSONNEL.  
 TO AVOID RISK OF ELECTRIC SHOCK, REFER SERVICING TO QUALIFIED  
 SERVICE PERSONNEL. DO NOT PERFORM ANY SERVICING BEYOND  
 THAT EXPLAINED IN THE OPERATING INSTRUCTIONS.

SHEETS 4, 5 & 6 OF THIS DRAWING REPRESENTS  
 ASSY P/N 07-442-11

REV:	DATE:	DESCRIPTION:	ECR/ECN NO:	CHG'D BY:	APP'D BY:	DATE:
THIS INFORMATION CONTAINED ON THIS DRAWING IS PROPRIETARY TO ST. LOUIS MUSIC, INC.						
SIGNATURES:		DATE:		11888 Borman Dr. St. Louis, Missouri 63146		
DRAWN: REM			6-25-98			
CHK'D:			FIRST USED ON:			
ALS'D:						
TOLERANCES:	DRAWING SIZE: D	DRAWING TITLE: POWER_AMP				
	DRAWING TYPE: - SCHEMATIC	DRAWING NO.:				
	CLASS CODE:	DRAWING NO.:				
	SCALE: NONE	SHEET: SHT 5 OF 15		07S442-XX		





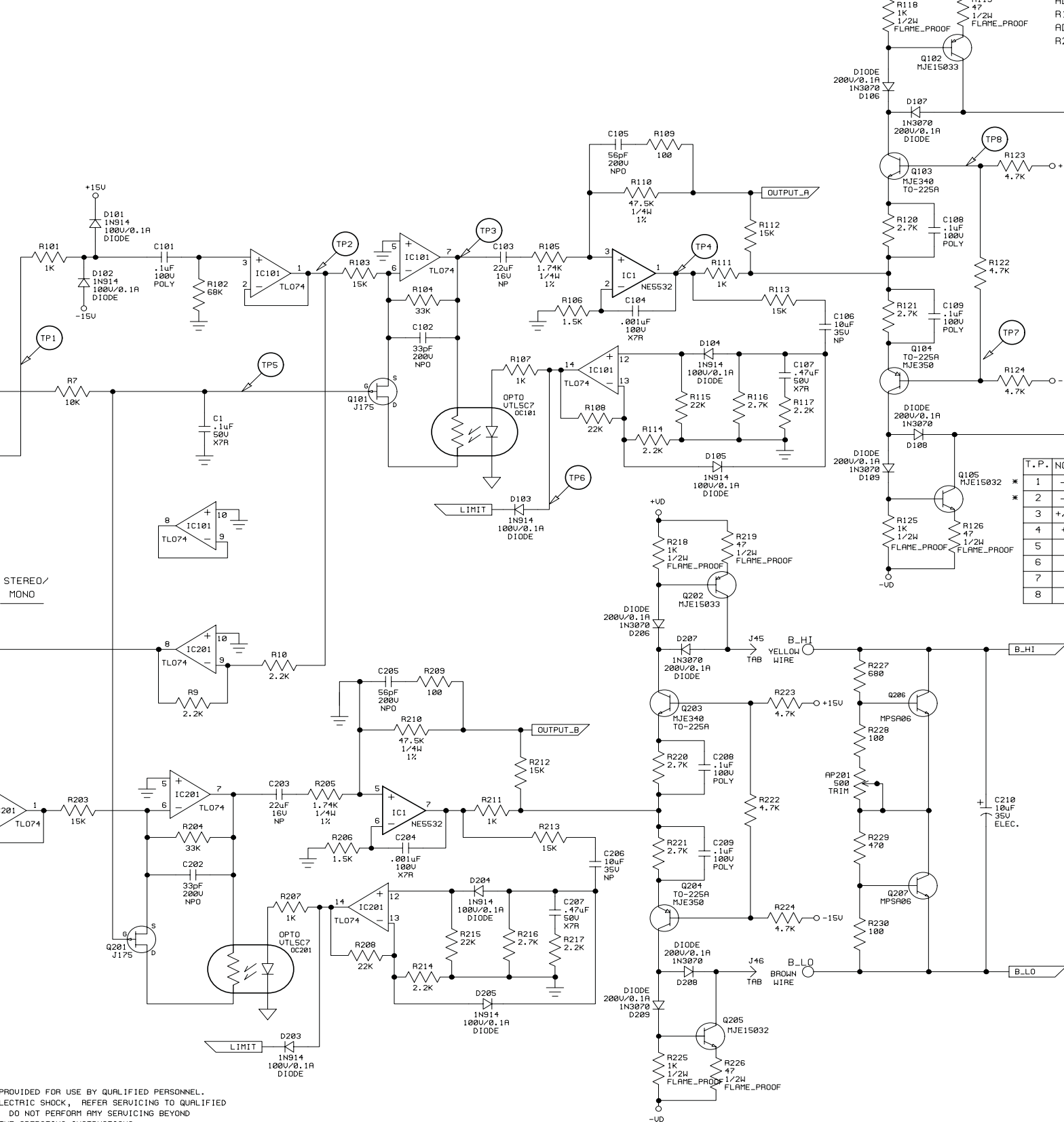
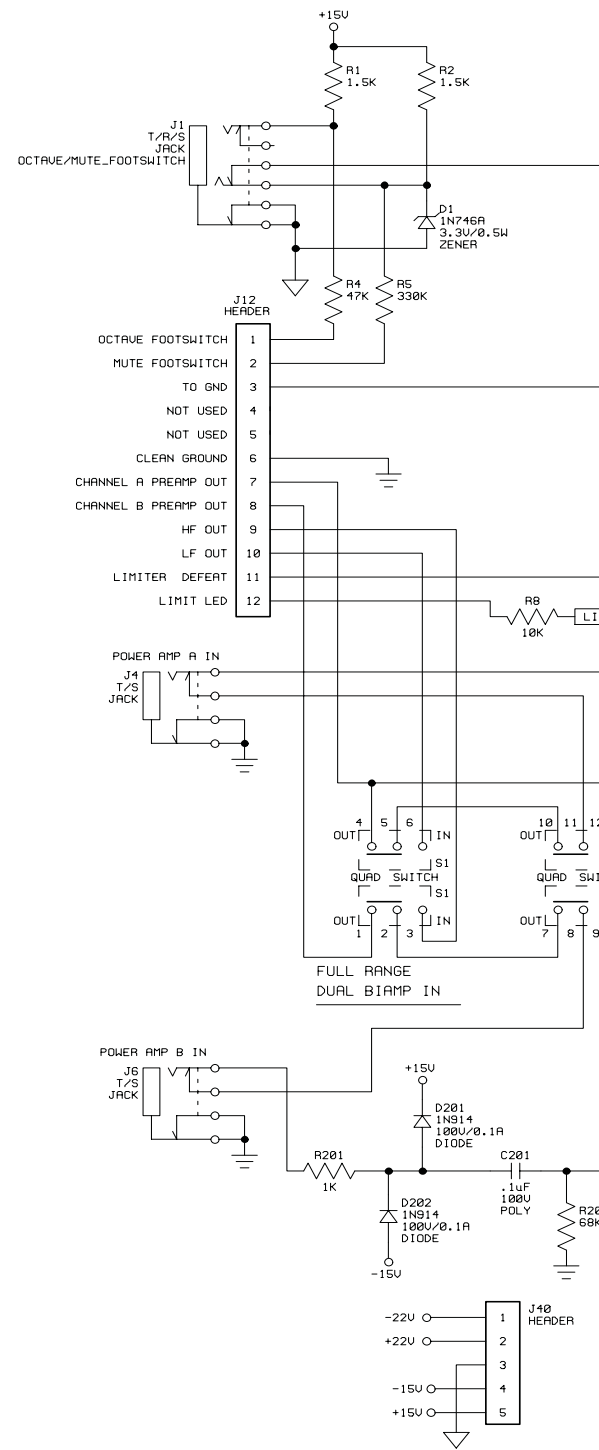
- NOTES:
- 1) THIS UNIT CONTAINS HAZARDOUS VOLTAGE. DISCONNECT POWER AND BE SURE POWER SUPPLY IS DISCHARGED BEFORE TOUCHING INTERNAL PARTS.
  - 2) UNLESS NOTED, RESISTOR VALUES IN OHMS, 1/4W-5% TOL. CAPACITOR VALUES IN MICROFARADS, 50%-10% TOL.
  - 3) VOLTAGES ARE MEASURED WITH 1 MEGOHM OSCILLOSCOPE AND 10 MEGOHM DIGITAL VOLTMETER.
  - 4) IF REQUIRED FOR CHASSIS ASSY.

CAUTION:  
THIS SCHEMATIC IS PROVIDED FOR USE BY QUALIFIED PERSONNEL. TO AVOID RISK OF ELECTRIC SHOCK, REFER SERVICING TO QUALIFIED SERVICE PERSONNEL. DO NOT PERFORM ANY SERVICING BEYOND THAT EXPLAINED IN THE OPERATING INSTRUCTIONS.

TP	NO SIGNAL	40Vrms OUT @ 8 OHMS	LIMITING @ 8 OHMS AS NOTED	WAVEFORM
13	VARIES w/TEMP	Varies w/TEMP.	Varies w/TEMP.	---
14	61Vac	51Vac	51Vac	~
15	61Vac	51Vac	51Vac	~
16	+14Vdc	-4.6Vdc	-4.6Vdc	---
17	+14.4Vdc	+14.4Vdc	+14.4Vdc	---
18	20Vac	19Vac	19Vac	~
19	20Vac	19Vac	19Vac	~
20	+71Vdc	+64.5Vdc	+64.5Vdc	^^
21	+63Vdc	+59Vdc	+59Vdc	^^
22	-63Vdc	-59Vdc	-59Vdc	^^
23	-71Vdc	-64.5Vdc	-64.5Vdc	^^
24	+6Vdc	+5.73Vdc	+5.73Vdc	---
25	NOT USED	---	---	---
26	+15Vdc	+15Vdc	+15Vdc	---
27	-15Vdc	-15Vdc	-15Vdc	---
28	+14.3Vdc	+14.3Vdc	+14.3Vdc	---

SHEETS 4, 5 & 6 OF THIS DRAWING REPRESENTS ASSY P/N 07-442-11

REV:	DATE:	DESCRIPTION:	ECR/ECN NO:	CHG'D BY:	APP'D BY:	DATE:
THIS INFORMATION CONTAINED ON THIS DRAWING IS PROPRIETARY TO ST. LOUIS MUSIC, INC.						
SIGNATURES:		DATE:		11888 Borman Dr. St. Louis, Missouri 63116		
DRAWN: REM		6-25-98		FIRST USED ON:		
CHK'D:				DRAWING TITLE: POWER_AMP		
TOLERANCES:		DRAWING SIZE: D		DRAWING NO.:		
		DRAWING TYPE: - SCHEMATIC		07S442-XX		
		CLASS CODE:		SHEET: SHT 6 OF 15		
		SCALE: NONE				



BIAS ADJUSTMENT: WITH NO SIGNAL AND NO LOAD  
 ADJUST AP101 TO OBTAIN AN AVERAGE OF 25 ± 5mV ACROSS R139, 140  
 R146, 147, 152, 153, 158, 159, 164, 165.  
 ADJUST AP201 TO OBTAIN AN AVERAGE OF 25 ± 5mV ACROSS R239, 240  
 R246, 247, 252, 253, 258, 259, 264, 265.

T.P.	NO SIGNAL	40VRMS OUT @ 8 OHMS	LIMITING @ 8 OHMS	AS NOTED	WAVEFORM
1	—	0.68Urms	0.79Urms	—	~
2	—	0.68Urms	0.79Urms	—	~
3	+/-20mVdc	1.5U	1.5U	—	~
4	+/-1Vdc	2.6Vdc	2.6Vdc	AS SHOWN PER COLUMN	~
5	+7mVdc	1.9mU	2.7mU	—	~
6	+5Vdc	+4.82Vdc	+4.82Vdc	—	~
7	-5Vdc	-5.12Vdc	-5.12Vdc	—	~
8	0V	+43.6mVdc	+74mVdc	—	~

- NOTES:
- THIS UNIT CONTAINS HAZARDOUS VOLTAGE. DISCONNECT POWER AND BE SURE POWER SUPPLY IS DISCHARGED BEFORE TOUCHING INTERNAL PARTS.
  - UNLESS NOTED, RESISTOR VALUES IN OHMS, 1/4W-5% TOL. CAPACITOR VALUES IN MICROFARADS, 50V-10% TOL.
  - VOLTAGES ARE MEASURED WITH 1 MEGOHM OSCILLOSCOPE AND 10 MEGOHM DIGITAL VOLTMETER.

CAUTION:  
 THIS SCHEMATIC IS PROVIDED FOR USE BY QUALIFIED PERSONNEL. TO AVOID RISK OF ELECTRIC SHOCK, REFER SERVICING TO QUALIFIED SERVICE PERSONNEL. DO NOT PERFORM ANY SERVICING BEYOND THAT EXPLAINED IN THE OPERATING INSTRUCTIONS.

SHEETS 7, 8 & 9 OF THIS DRAWING REPRESENT ASSY P/N 07-442-21

REV:	DATE:	DESCRIPTION:	ECR/ECN NO:	CHK'D BY:	APP'D BY:	DATE:
THIS INFORMATION CONTAINED ON THIS DRAWING IS PROPRIETARY TO ST. LOUIS MUSIC, INC.						
SIGNATURES:		DATE:		11800 Borman Dr., St. Louis, Missouri 63146		
DRAWN: REM		6-25-98		FIRST USED ON:		
CHK'D:				DRAWING TITLE: POWER_AMP		
TOLERANCES:		DRAWING SIZE: D		DRAWING NO.: 07S442-XX		
		DRAWING TYPE: SCHEMATIC		CLASS CODE:		
		SCALE: NONE		SHEET: SHT 7 OF 15		

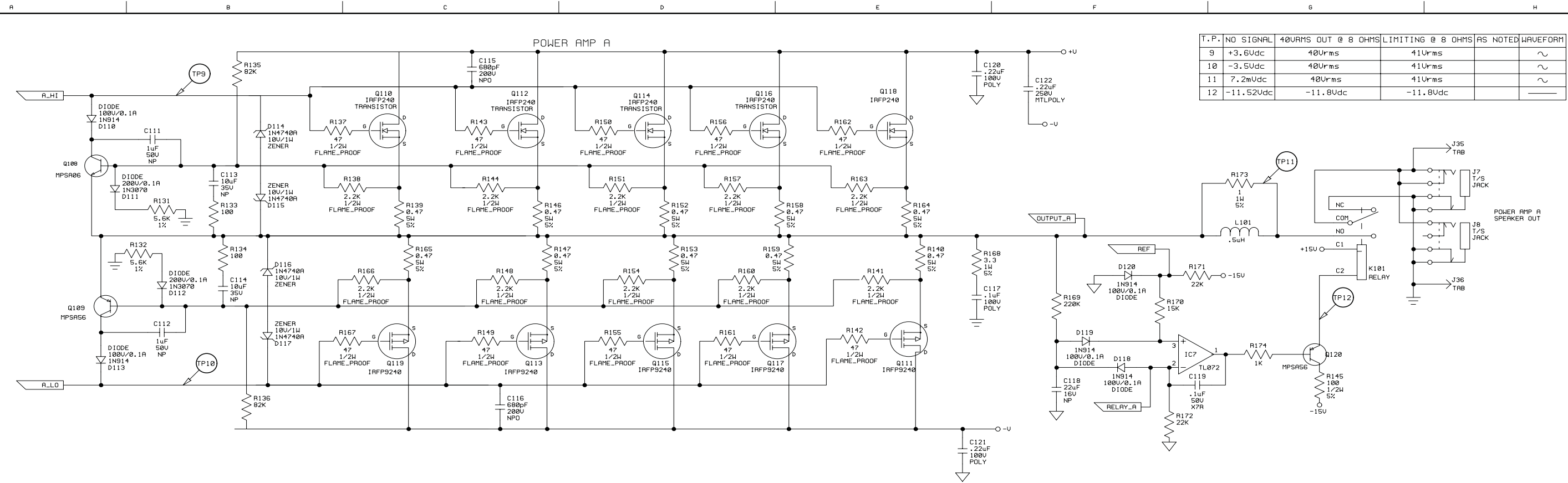


B4R

©2007 LOUD Technologies Inc. All rights reserved

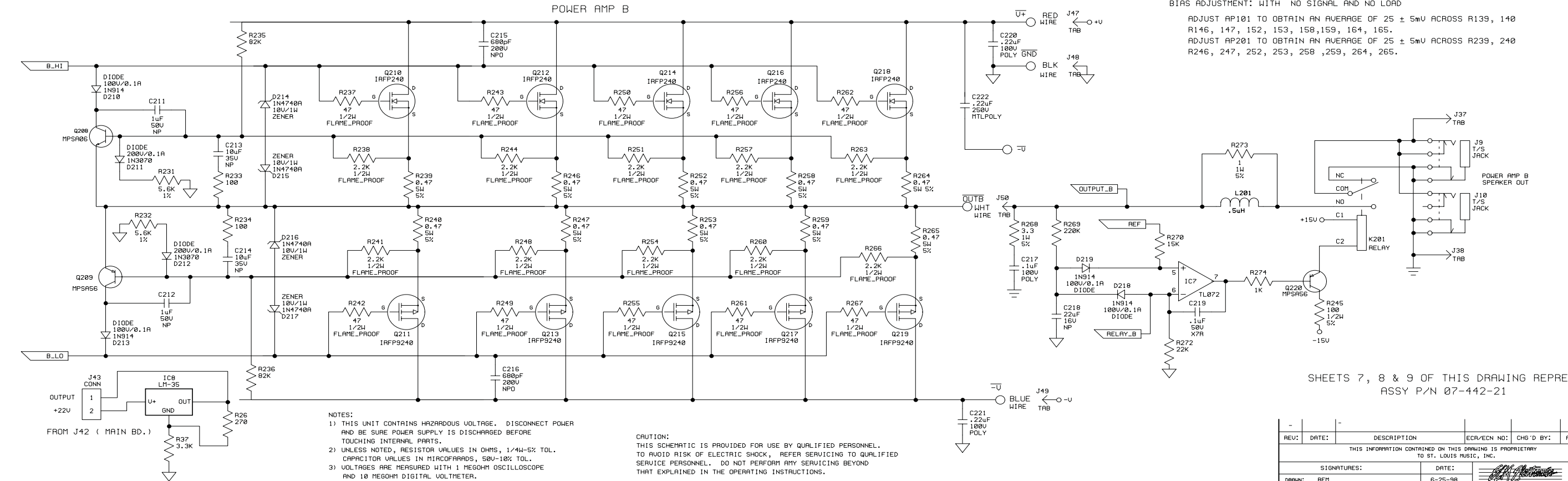
Power Amplifier PCB Schematics

PAGE 7



T.P.	NO SIGNAL	40VRMS OUT @ 8 OHMS	LIMITING @ 8 OHMS	AS NOTED	WAVEFORM
9	+3.6Vdc	40Urms	41Urms		~
10	-3.5Vdc	40Urms	41Urms		~
11	7.2mVdc	40Urms	41Urms		~
12	-11.52Vdc	-11.8Vdc	-11.8Vdc		—

BIAS ADJUSTMENT: WITH NO SIGNAL AND NO LOAD  
 ADJUST AP101 TO OBTAIN AN AVERAGE OF 25 ± 5mV ACROSS R139, 140, 146, 147, 152, 153, 158, 159, 164, 165.  
 ADJUST AP201 TO OBTAIN AN AVERAGE OF 25 ± 5mV ACROSS R239, 240, 246, 247, 252, 253, 258, 259, 264, 265.



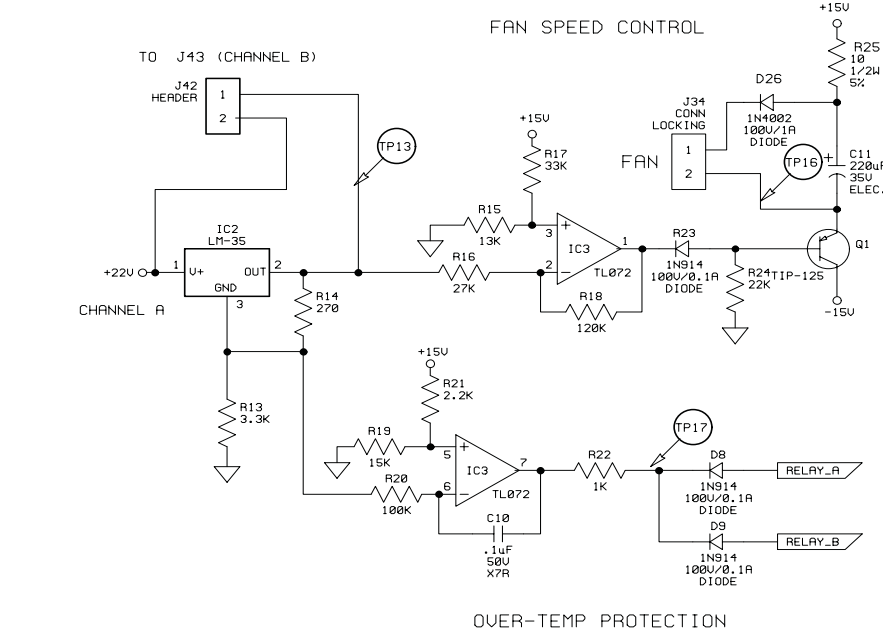
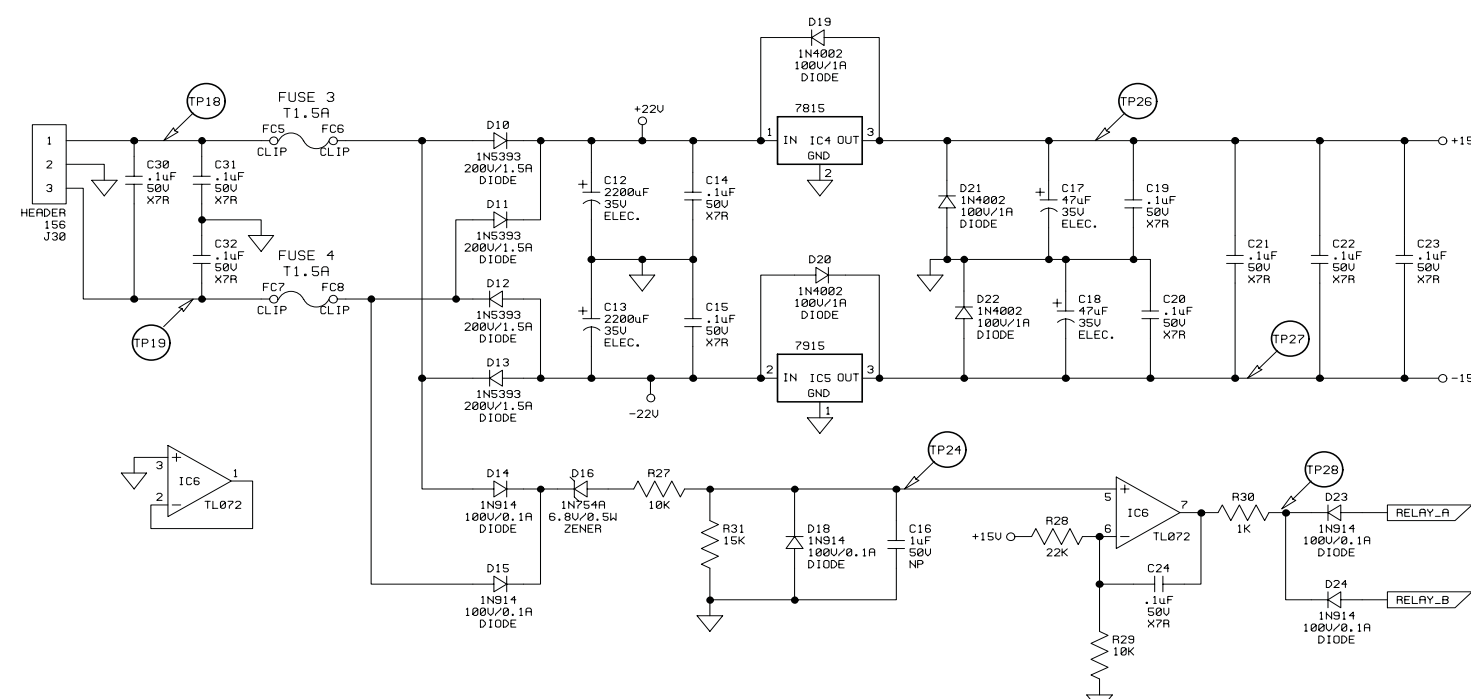
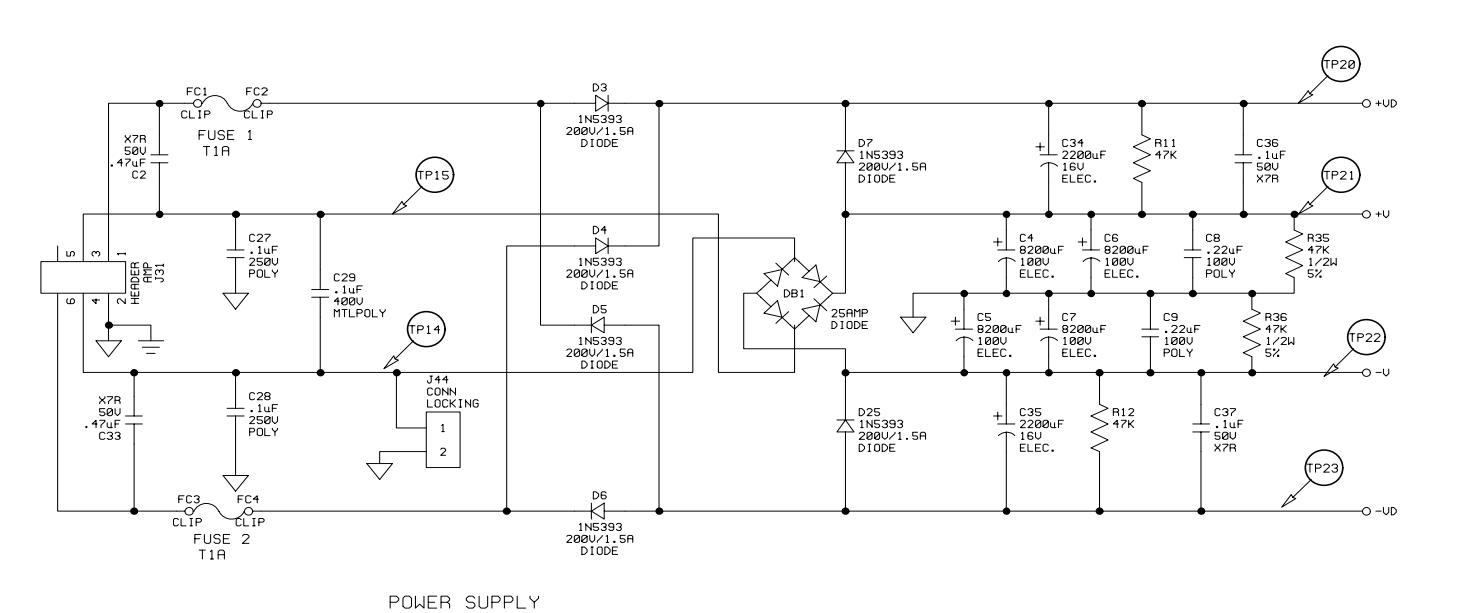
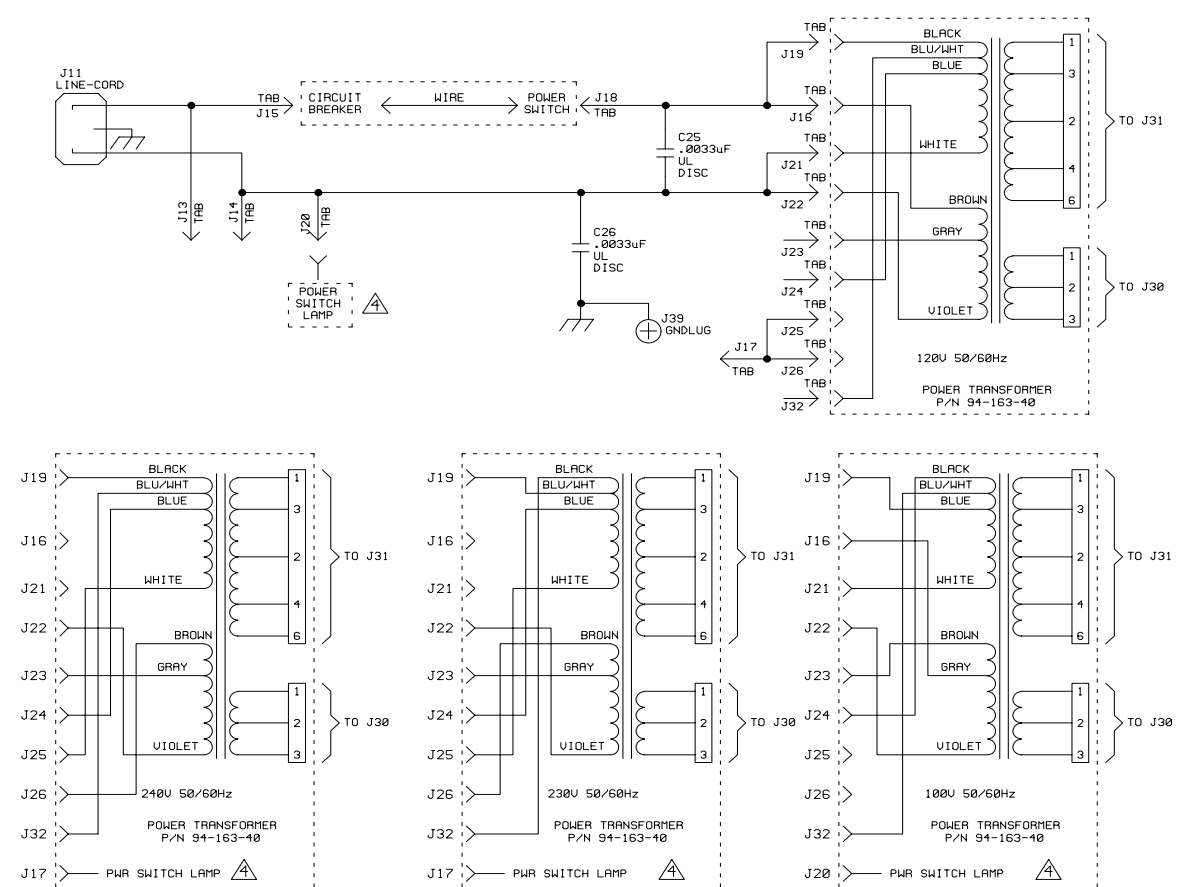
- NOTES:
- 1) THIS UNIT CONTAINS HAZARDOUS VOLTAGE. DISCONNECT POWER AND BE SURE POWER SUPPLY IS DISCHARGED BEFORE TOUCHING INTERNAL PARTS.
  - 2) UNLESS NOTED, RESISTOR VALUES IN OHMS, 1/4W-5% TOL. CAPACITOR VALUES IN MICROFARADS, 50V-10% TOL.
  - 3) VOLTAGES ARE MEASURED WITH 1 MEGOHM OSCILLOSCOPE AND 10 MEGOHM DIGITAL VOLTMETER.

CAUTION:  
 THIS SCHEMATIC IS PROVIDED FOR USE BY QUALIFIED PERSONNEL. TO AVOID RISK OF ELECTRIC SHOCK, REFER SERVICING TO QUALIFIED SERVICE PERSONNEL. DO NOT PERFORM ANY SERVICING BEYOND THAT EXPLAINED IN THE OPERATING INSTRUCTIONS.

SHEETS 7, 8 & 9 OF THIS DRAWING REPRESENT ASSY P/N 07-442-21

REV:	DATE:	DESCRIPTION	ECR/ECN NO:	CHG'D BY:	APP'D BY:	DATE:
THIS INFORMATION CONTAINED ON THIS DRAWING IS PROPRIETARY TO ST. LOUIS MUSIC, INC.						
SIGNATURES:		DATE:	11888 Borman Dr. St. Louis, Missouri 63146			
DRAWN: REM			6-25-98			
CHK'D:			FIRST USED ON:			
RLS'D:						
DRAWING SIZE: D		DRAWING TITLE: POWER_AMP		DRAWING NO.:		
DRAWING TYPE: - SCHEMATIC				07S442-XX		
CLASS CODE:				SCALE: NONE		
SHEET: SH1 8 OF 15						





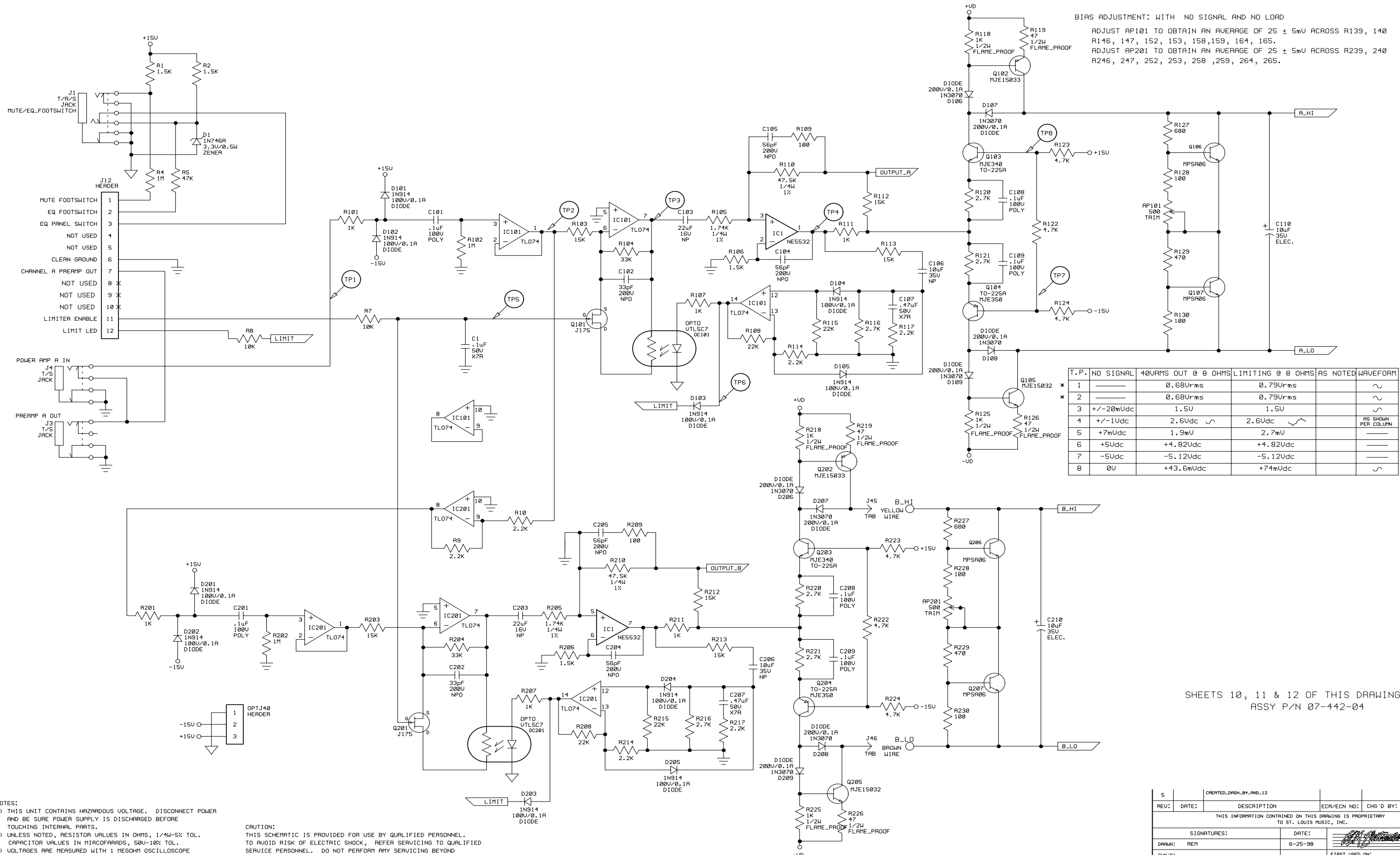
NOTES:  
 1) THIS UNIT CONTAINS HAZARDOUS VOLTAGE. DISCONNECT POWER AND BE SURE POWER SUPPLY IS DISCHARGED BEFORE TOUCHING INTERNAL PARTS.  
 2) UNLESS NOTED, RESISTOR VALUES IN OHMS, 1/4W-5% TOL. CAPACITOR VALUES IN MICROFARADS, 50V-10% TOL.  
 3) VOLTAGES ARE MEASURED WITH 1 MEGOHM OSCILLOSCOPE AND 10 MEGOHM DIGITAL VOLTMETER.  
 4) IF REQUIRED FOR CHASSIS ASSY.

CAUTION:  
 THIS SCHEMATIC IS PROVIDED FOR USE BY QUALIFIED PERSONNEL. TO AVOID RISK OF ELECTRIC SHOCK, REFER SERVICING TO QUALIFIED SERVICE PERSONNEL. DO NOT PERFORM ANY SERVICING BEYOND THAT EXPLAINED IN THE OPERATING INSTRUCTIONS.

TP	NO SIGNAL	40URMS OUT @ 8 OHMS	LIMITING @ 8 OHMS	AS NOTED	WAVEFORM
13	VARIES w/TEMP	Varies w/TEMP.	Varies w/TEMP.		
14	61Vac	51Vac	51Vac		~
15	61Vac	51Vac	51Vac		~
16	+14Vdc	-4.6Vdc	-4.6Vdc		
17	+14.4Vdc	+14.4Vdc	+14.4Vdc		
18	20Vac	19Vac	19Vac		~
19	20Vac	19Vac	19Vac		~
20	+71Vdc	+64.5Vdc	+64.5Vdc		~
21	+63Vdc	+59Vdc	+59Vdc		~
22	-63Vdc	-59Vdc	-59Vdc		~
23	-71Vdc	-64.5Vdc	-64.5Vdc		~
24	+6Vdc	+5.73Vdc	+5.73Vdc		~
25	NOT USED				
26	+15Vdc	+15Vdc	+15Vdc		
27	-15Vdc	-15Vdc	-15Vdc		
28	+14.3Vdc	+14.3Vdc	+14.3Vdc		

SHEETS 7, 8 & 9 OF THIS DRAWING REPRESENT ASSY P/N 07-442-21

9	12/16/05	SEE SHEET 1		N02013			
REV:	DATE:	DESCRIPTION:	ECR/ECN NO:	CHG'D BY:	APP'D BY:	DATE:	
THIS INFORMATION CONTAINED ON THIS DRAWING IS PROPRIETARY TO ST. LOUIS MUSIC, INC.							
SIGNATURES:				DATE:			
DRAWN: REM				6-25-98			
CHK'D:				FIRST USED ON:			
TOLERANCES:				DRAWING TITLE:			
DRAWING SIZE: D				POWER_AMP			
CLASS CODE: - SCHEMATIC				DRAWING NO.:			
SCALE: NONE				07S442-XX			
SHEET: SHT 9 OF 15							



BIAS ADJUSTMENT: WITH NO SIGNAL AND NO LOAD  
 ADJUST AP101 TO OBTAIN AN AVERAGE OF 25 ± 5mV ACROSS R139, 140  
 R146, 147, 152, 153, 158, 159, 164, 165.  
 ADJUST AP201 TO OBTAIN AN AVERAGE OF 25 ± 5mV ACROSS R239, 240  
 R246, 247, 252, 253, 258, 259, 264, 265.

T.P.	NO SIGNAL	40URMS OUT @ 8 OHMS	LIMITING @ 8 OHMS	AS NOTED	WAVEFORM
1		0.68Urms	0.79Urms		~
2		0.68Urms	0.79Urms		~
3	+/-20mVdc	1.5U	1.5U		~
4	+/-1Vdc	2.6Vdc	2.6Vdc		AS SHOWN PER COLUMN
5	+7mVdc	1.9mV	2.7mV		
6	+5Udc	+4.82Udc	+4.82Udc		
7	-5Udc	-5.12Udc	-5.12Udc		
8	0V	+43.6mVdc	+74mVdc		~

SHEETS 10, 11 & 12 OF THIS DRAWING REPRESENT  
 ASSY P/N 07-442-04

- NOTES:
- THIS UNIT CONTAINS HAZARDOUS VOLTAGE. DISCONNECT POWER AND BE SURE POWER SUPPLY IS DISCHARGED BEFORE TOUCHING INTERNAL PARTS.
  - UNLESS NOTED, RESISTOR VALUES IN OHMS, 1/4W-5% TOL. CAPACITOR VALUES IN MICROFARADS, 50V-10% TOL.
  - VOLTAGES ARE MEASURED WITH 1 MEGOHM OSCILLOSCOPE AND 10 MEGOHM DIGITAL VOLTMETER.

CAUTION:  
 THIS SCHEMATIC IS PROVIDED FOR USE BY QUALIFIED PERSONNEL. TO AVOID RISK OF ELECTRIC SHOCK, REFER SERVICING TO QUALIFIED SERVICE PERSONNEL. DO NOT PERFORM ANY SERVICING BEYOND THAT EXPLAINED IN THE OPERATING INSTRUCTIONS.

REV:	DATE:	DESCRIPTION:	ECR/ECN NO:	CHK'D BY:	APP'D BY:	DATE:
THIS INFORMATION CONTAINED ON THIS DRAWING IS PROPRIETARY TO ST. LOUIS MUSIC, INC.						
SIGNATURES:		DATE:		11888 Borman Dr. St. Louis, Missouri 63116		
DRAWN: REM		6-25-98		FIRST USED ON:		
CHK'D:						
TOLERANCES:		DRAWING SIZE: D		DRAWING TITLE: POWER_AMP		
		DRAWING TYPE: - SCHEMATIC		DRAWING NO.:		
		CLASS CODE:		DRAWING NO.:		
		SCALE: NONE		SHEET: SHT 10 OF 15		

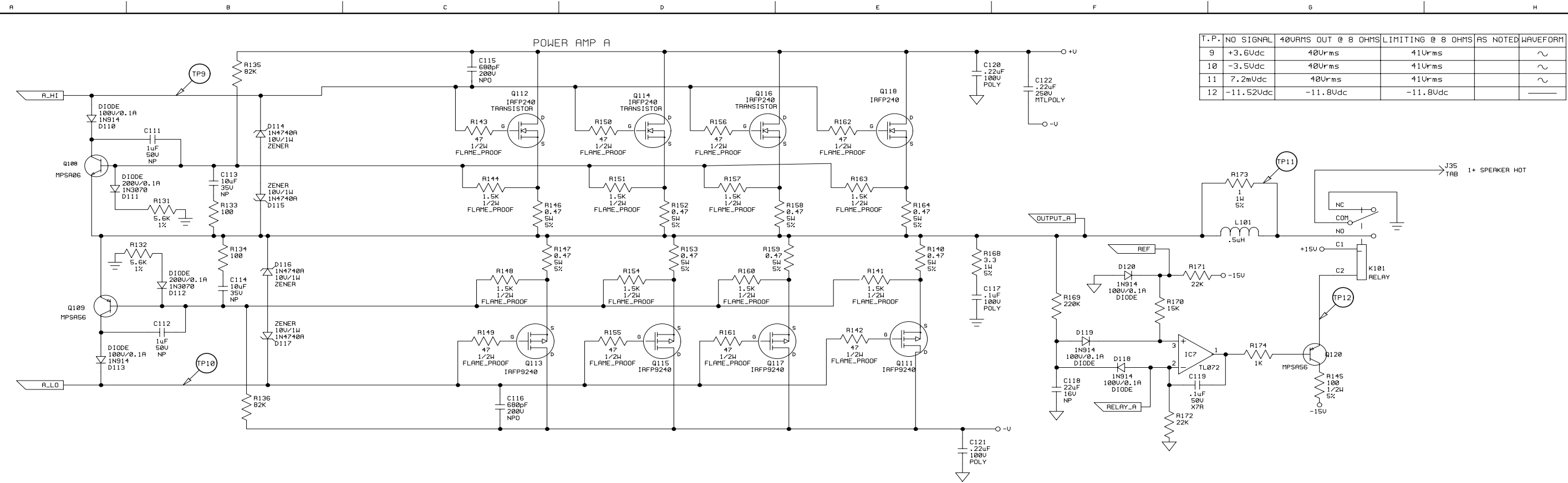


B4R

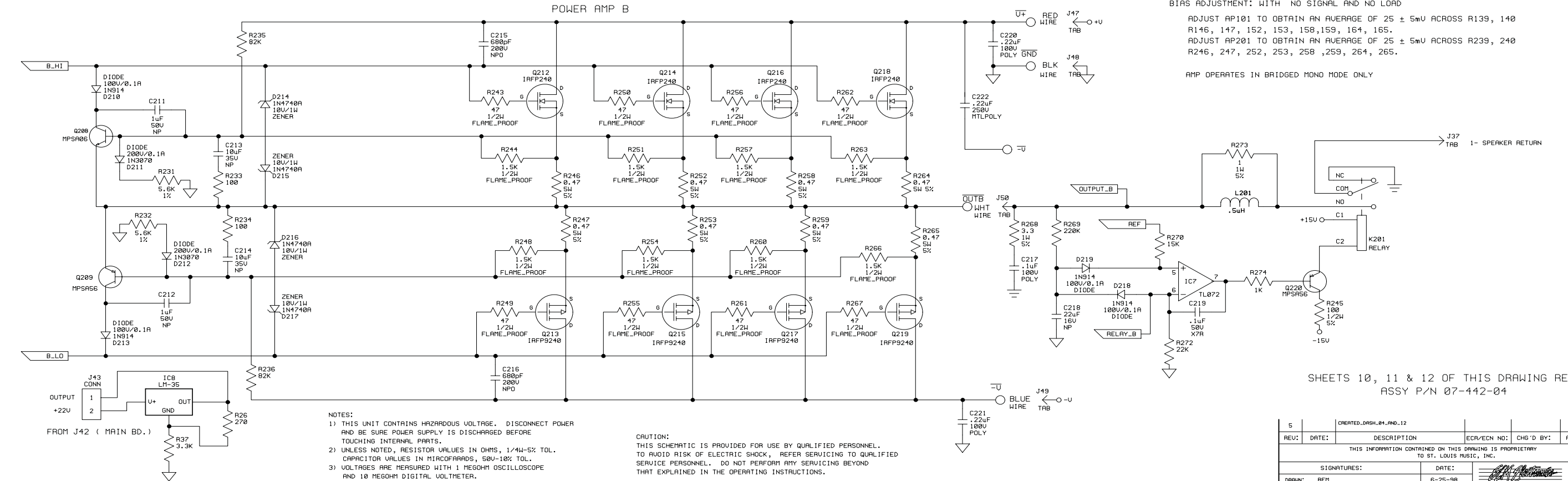
©2007 LOUD Technologies Inc. All rights reserved

Power Amplifier PCB Schematics

PAGE 10



T.P.	NO SIGNAL	40VRMS OUT @ 8 OHMS	LIMITING @ 8 OHMS	AS NOTED	WAVEFORM
9	+3.6Udc	40Urms	41Urms		~
10	-3.5Udc	40Urms	41Urms		~
11	7.2mUdc	40Urms	41Urms		~
12	-11.52Udc	-11.8Udc	-11.8Udc		—



BIAS ADJUSTMENT: WITH NO SIGNAL AND NO LOAD  
 ADJUST AP101 TO OBTAIN AN AVERAGE OF 25 ± 5mV ACROSS R139, 140, 146, 147, 152, 153, 158, 159, 164, 165.  
 ADJUST AP201 TO OBTAIN AN AVERAGE OF 25 ± 5mV ACROSS R239, 240, 246, 247, 252, 253, 258, 259, 264, 265.

AMP OPERATES IN BRIDGED MONO MODE ONLY

SHEETS 10, 11 & 12 OF THIS DRAWING REPRESENT ASSY P/N 07-442-04

- NOTES:
- THIS UNIT CONTAINS HAZARDOUS VOLTAGE. DISCONNECT POWER AND BE SURE POWER SUPPLY IS DISCHARGED BEFORE TOUCHING INTERNAL PARTS.
  - UNLESS NOTED, RESISTOR VALUES IN OHMS, 1/4W-5% TOL. CAPACITOR VALUES IN MICROFARADS, 50V-10% TOL.
  - VOLTAGES ARE MEASURED WITH 1 MEGOHM OSCILLOSCOPE AND 10 MEGOHM DIGITAL VOLTMETER.
- CAUTION:  
 THIS SCHEMATIC IS PROVIDED FOR USE BY QUALIFIED PERSONNEL. TO AVOID RISK OF ELECTRIC SHOCK, REFER SERVICING TO QUALIFIED SERVICE PERSONNEL. DO NOT PERFORM ANY SERVICING BEYOND THAT EXPLAINED IN THE OPERATING INSTRUCTIONS.

REV:	DATE:	DESCRIPTION:	ECR/ECN NO:	CHG'D BY:	APP'D BY:	DATE:
THIS INFORMATION CONTAINED ON THIS DRAWING IS PROPRIETARY TO ST. LOUIS MUSIC, INC.						
SIGNATURES:		DATE:		11888 Borman Dr., St. Louis, Missouri 63146		
DRAWN: REM		6-25-98		FIRST USED ON:		
CHK'D:						
ALS'D:						
DRAWING SIZE: D		DRAWING TITLE: POWER_AMP				
DRAWING TYPE: - SCHEMATIC		DRAWING NO.:				
CLASS CODE:						
SCALE: NONE		SHEET: SH11 OF 15				

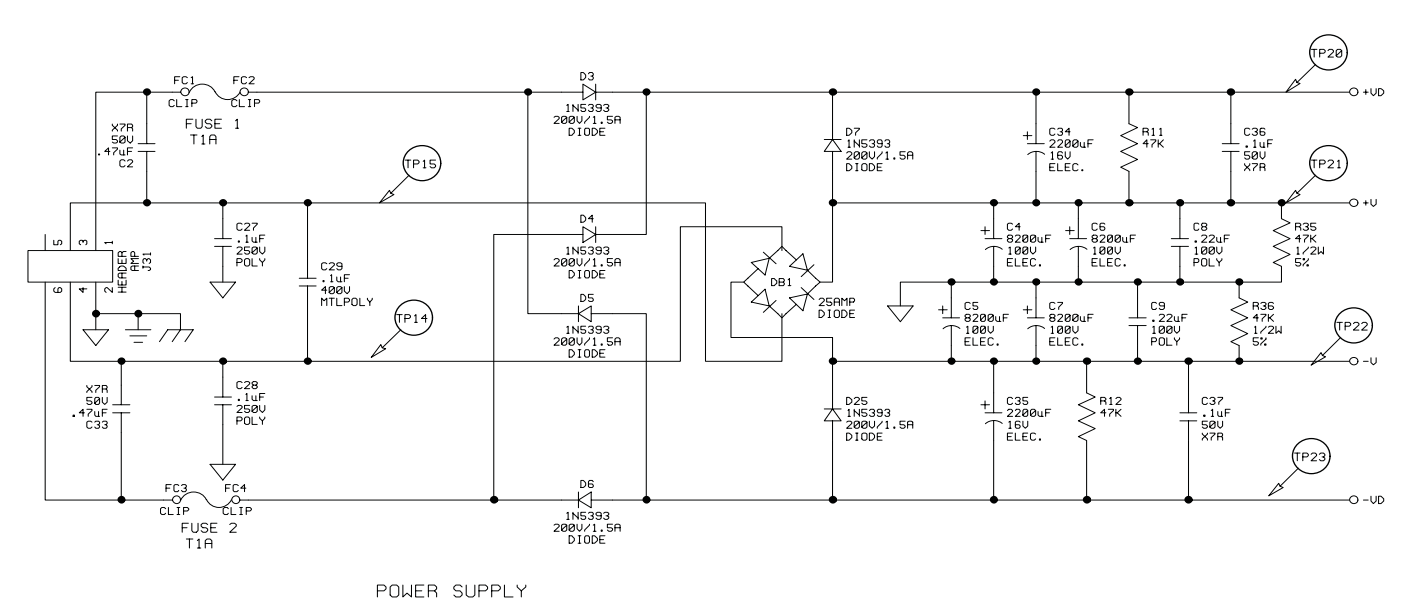
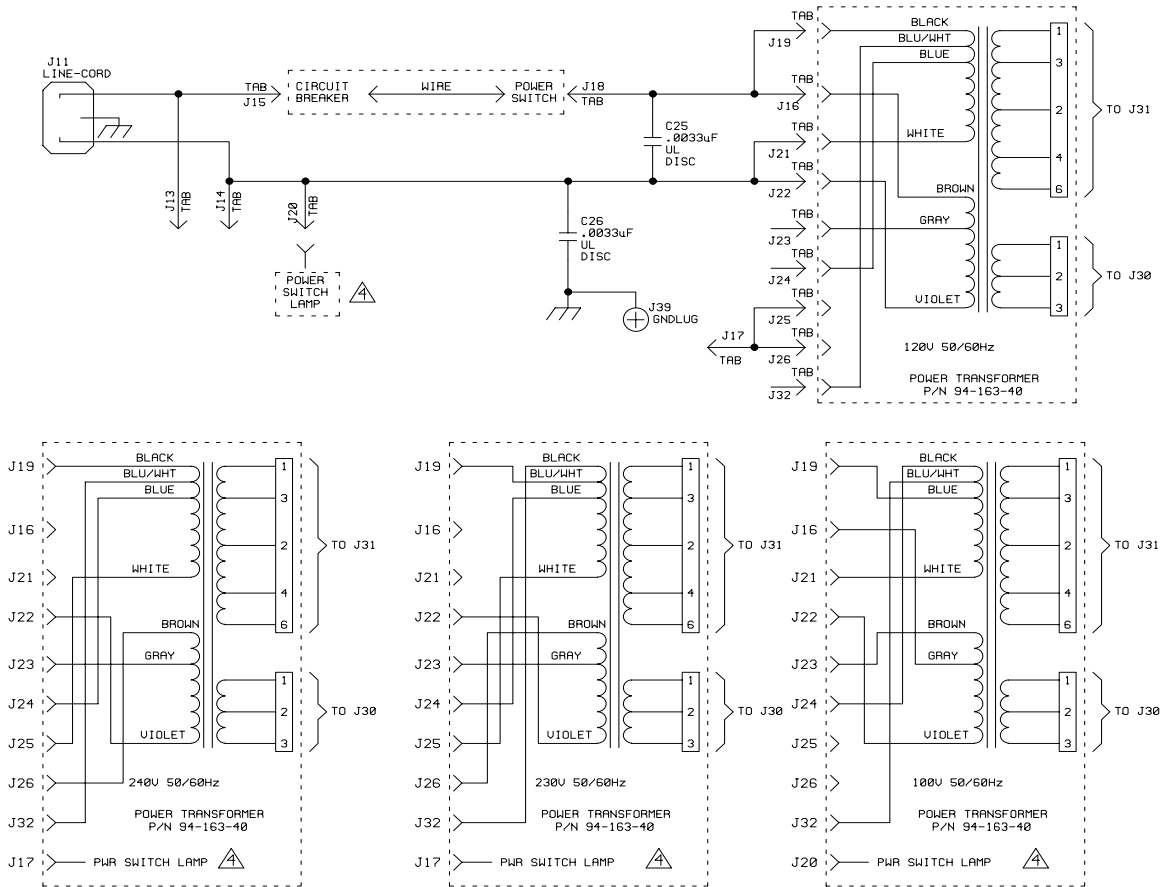


B4R

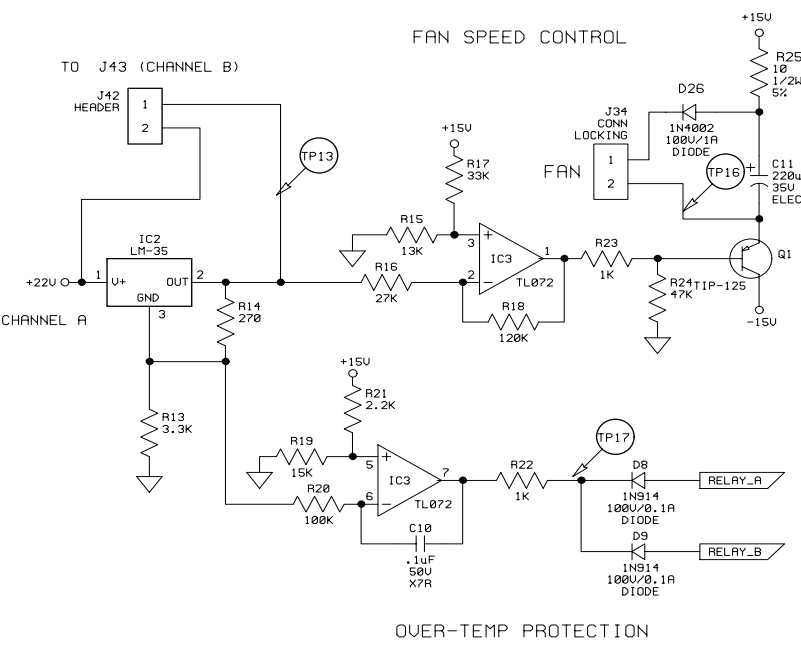
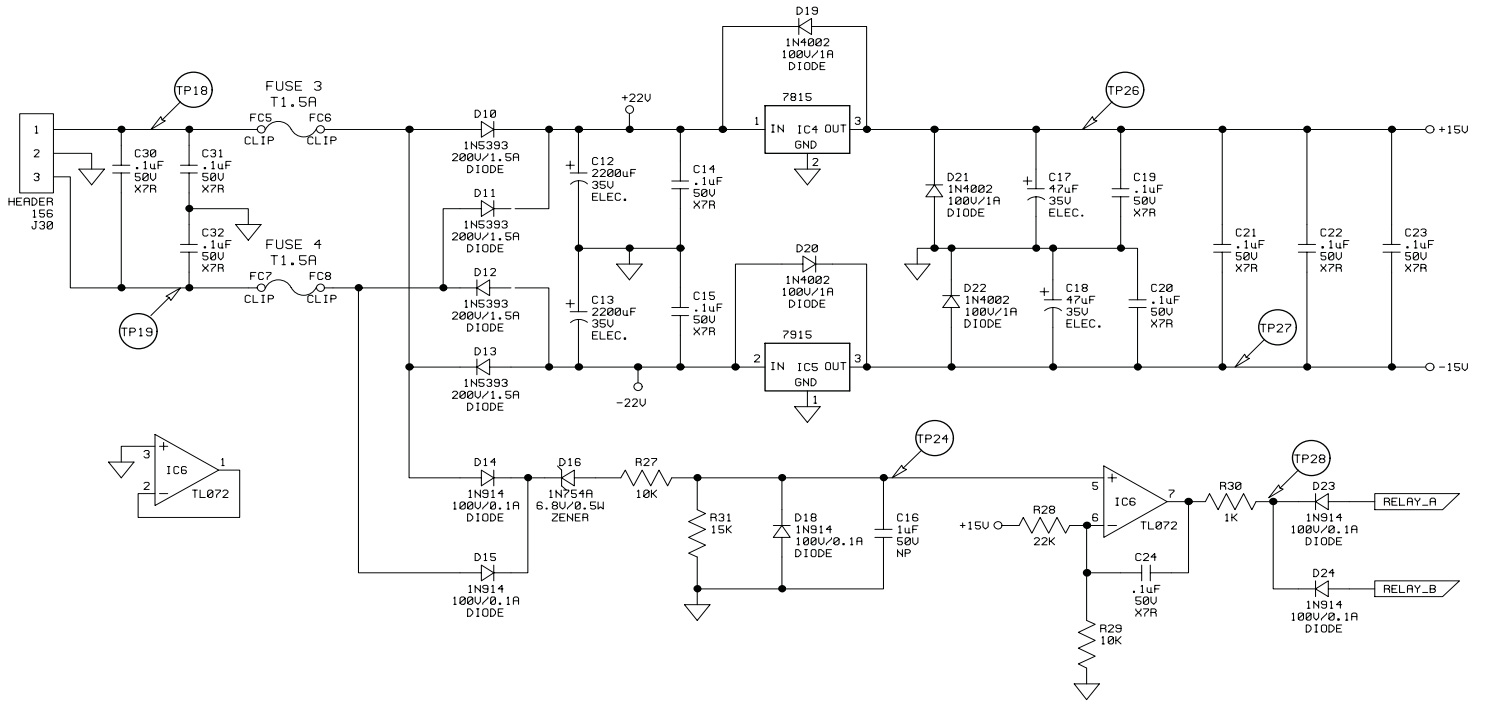
©2007 LOUD Technologies Inc. All rights reserved

Power Amplifier PCB Schematics

PAGE 11



POWER SUPPLY



FAN SPEED CONTROL

OVER-TEMP PROTECTION

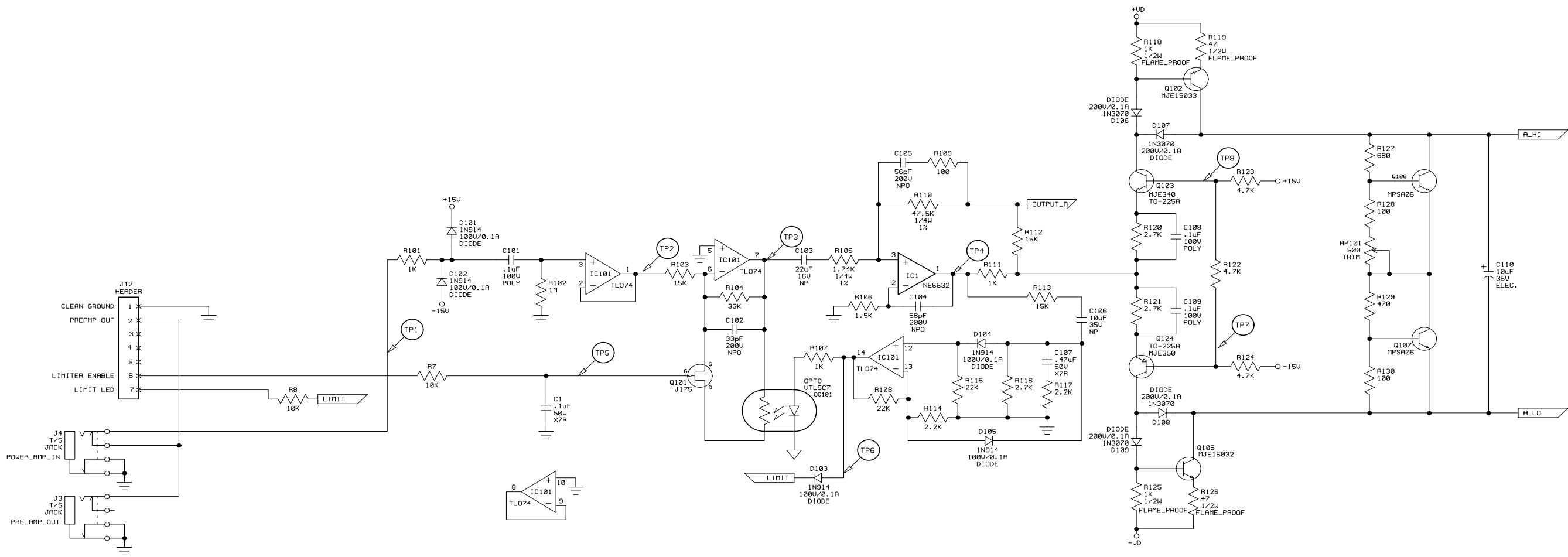
- NOTES:
- 1) THIS UNIT CONTAINS HAZARDOUS VOLTAGE. DISCONNECT POWER AND BE SURE POWER SUPPLY IS DISCHARGED BEFORE TOUCHING INTERNAL PARTS.
  - 2) UNLESS NOTED, RESISTOR VALUES IN OHMS, 1/4W-5% TOL. CAPACITOR VALUES IN MICROFARADS, 50V-10% TOL.
  - 3) VOLTAGES ARE MEASURED WITH 1 MEGOHM OSCILLOSCOPE AND 10 MEGOHM DIGITAL VOLTMETER.
  - 4) IF REQUIRED FOR CHASSIS ASSY.

CAUTION:  
THIS SCHEMATIC IS PROVIDED FOR USE BY QUALIFIED PERSONNEL. TO AVOID RISK OF ELECTRIC SHOCK, REFER SERVICING TO QUALIFIED SERVICE PERSONNEL. DO NOT PERFORM ANY SERVICING BEYOND THAT EXPLAINED IN THE OPERATING INSTRUCTIONS.

TP	NO SIGNAL	40VRMS OUT @ 8 OHMS	LIMITING @ 8 OHMS AS NOTED	WAVEFORM
13	VARIES W/TEMP	Varies w/temp.	Varies w/temp.	—
14	61Vac	51Vac	51Vac	~
15	61Vac	51Vac	51Vac	~
16	+14Vdc	-4.6Vdc	-4.6Vdc	—
17	+14.4Vdc	+14.4Vdc	+14.4Vdc	—
18	20Vac	19Vac	19Vac	~
19	20Vac	19Vac	19Vac	~
20	+71Vdc	+64.5Vdc	+64.5Vdc	^^
21	+63Vdc	+59Vdc	+59Vdc	^^
22	-63Vdc	-59Vdc	-59Vdc	^^
23	-71Vdc	-64.5Vdc	-64.5Vdc	^^
24	+6Vdc	+5.73Vdc	+5.73Vdc	—
25	NOT USED	—	—	—
26	+15Vdc	+15Vdc	+15Vdc	—
27	-15Vdc	-15Vdc	-15Vdc	—
28	+14.3Vdc	+14.3Vdc	+14.3Vdc	—

SHEETS 10, 11 & 12 OF THIS DRAWING REPRESENT ASSY P/N 07-442-04

8	7/8/95	SEE SHEET 1	N01867			
REV:	DATE:	DESCRIPTION:	ECR/ECN NO:	CHG'D BY:	APP'D BY:	DATE:
THIS INFORMATION CONTAINED ON THIS DRAWING IS PROPRIETARY TO ST. LOUIS MUSIC, INC.						
SIGNATURES:			DATE:		11888 Borman Dr. St. Louis, Missouri 63116	
DRAWN: REM			6-25-98		FIRST USED ON:	
CHK'D:					-	
RLS'D:					-	
TOLERANCES:			DRAWING SIZE: D		DRAWING TITLE: POWER_AMP	
			DRAWING TYPE: - SCHEMATIC		DRAWING NO.:	
			CLASS CODE:		07S442-XX	
			SCALE: NONE		SHEET: SHT 12 OF 15	



BIAS ADJUSTMENT: WITH NO SIGNAL AND NO LOAD  
 ADJUST AP101 TO OBTAIN AN AVERAGE OF 25 ± 5mV ACROSS R139, 140  
 R146, 147, 152, 153, 158, 159, 164, 165.

T.P.	NO SIGNAL	40Vrms OUT @ 8 OHMS	LIMITING @ 8 OHMS	AS NOTED	WAVEFORM
1	—	0.68Vrms	0.79Vrms	—	~
2	—	0.68Vrms	0.79Vrms	—	~
3	+/-20mVdc	1.5V	1.5V	—	~
4	+/-1Vdc	2.6Vdc	2.6Vdc	—	AS SHOWN PER COLUMN
5	+7mVdc	1.9mV	2.7mV	—	—
6	+5Vdc	+4.82Vdc	+4.82Vdc	—	—
7	-5Vdc	-5.12Vdc	-5.12Vdc	—	—
8	0V	+43.6mVdc	+74mVdc	—	~

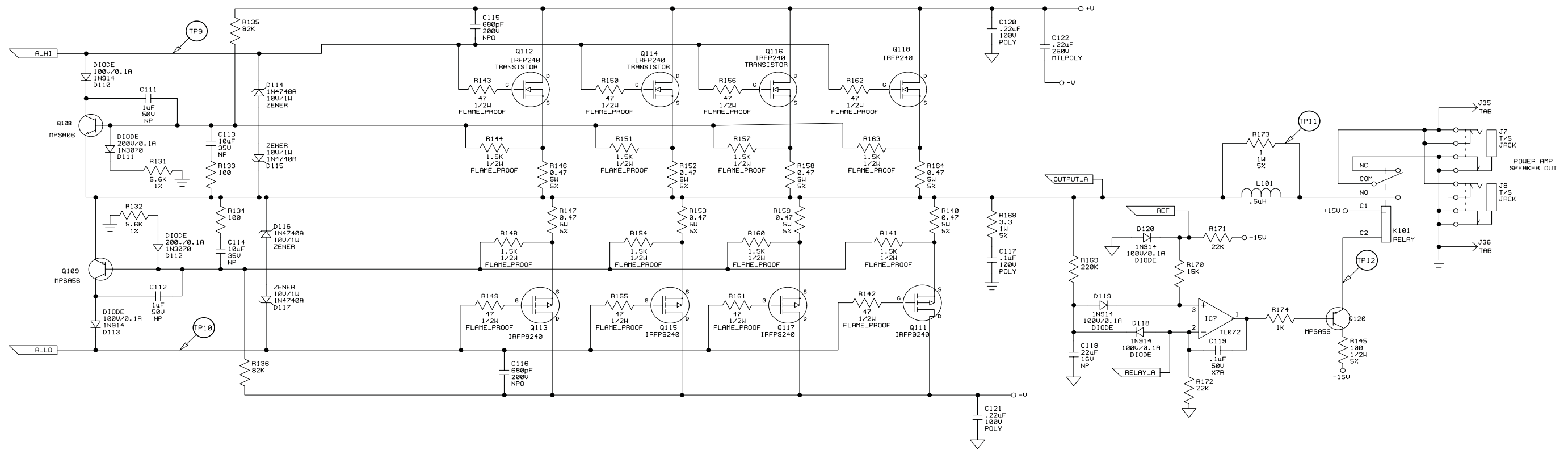
SHEETS 13, 14 & 15 OF THIS DRAWING REPRESENTS  
 ASSY P/N 07-442-12

- NOTES:
- THIS UNIT CONTAINS HAZARDOUS VOLTAGE. DISCONNECT POWER AND BE SURE POWER SUPPLY IS DISCHARGED BEFORE TOUCHING INTERNAL PARTS.
  - UNLESS NOTED, RESISTOR VALUES IN OHMS, 1/4W-5% TOL. CAPACITOR VALUES IN MICROFARADS, 50V-10% TOL.
  - VOLTAGES ARE MEASURED WITH 1 MEGOHM OSCILLOSCOPE AND 10 MEGOHM DIGITAL VOLTMETER.

CAUTION:  
 THIS SCHEMATIC IS PROVIDED FOR USE BY QUALIFIED PERSONNEL. TO AVOID RISK OF ELECTRIC SHOCK, REFER SERVICING TO QUALIFIED SERVICE PERSONNEL. DO NOT PERFORM ANY SERVICING BEYOND THAT EXPLAINED IN THE OPERATING INSTRUCTIONS.

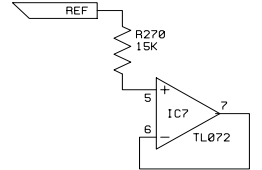
5	CREATED_DASH_L04_RND_12				
REV:	DATE:	DESCRIPTION	ECR/ECN NO:	CHG'D BY:	APP'D BY:
THIS INFORMATION CONTAINED ON THIS DRAWING IS PROPRIETARY TO ST. LOUIS MUSIC, INC.					
SIGNATURES:		DATE:	11888 Borman Dr. St. Louis, Missouri 63146		
DRAWN:	REM	6-25-98	FIRST USED ON:		
CHK'D:			-		
ALS'D:			-		
TOLERANCES:	DRAWING SIZE: D SCHEMATIC	DRAWING TITLE:		POWER_AMP	
	DRAWING TYPE: -	DRAWING NO.:		07S442-XX	
	CLASS CODE:	SCALE: NONE		SHEET: SHT 13 OF 15	





BIAS ADJUSTMENT: WITH NO SIGNAL AND NO LOAD  
 ADJUST AP101 TO OBTAIN AN AVERAGE OF 25 ± 5mV ACROSS R139, 140  
 R146, 147, 152, 153, 158, 159, 164, 165.

T.P.	NO SIGNAL	40VRMS OUT @ 8 OHMS	LIMITING @ 8 OHMS	AS NOTED	WAVEFORM
9	+3.6Vdc	40Urms	41Urms		~
10	-3.5Vdc	40Urms	41Urms		~
11	7.2mVdc	40Urms	41Urms		~
12	-11.52Vdc	-11.8Vdc	-11.8Vdc		—

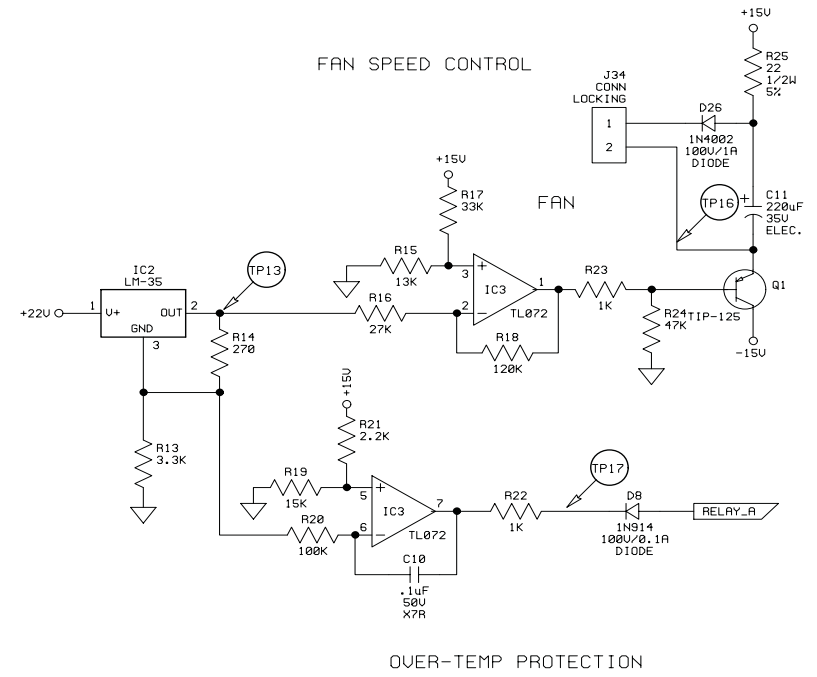
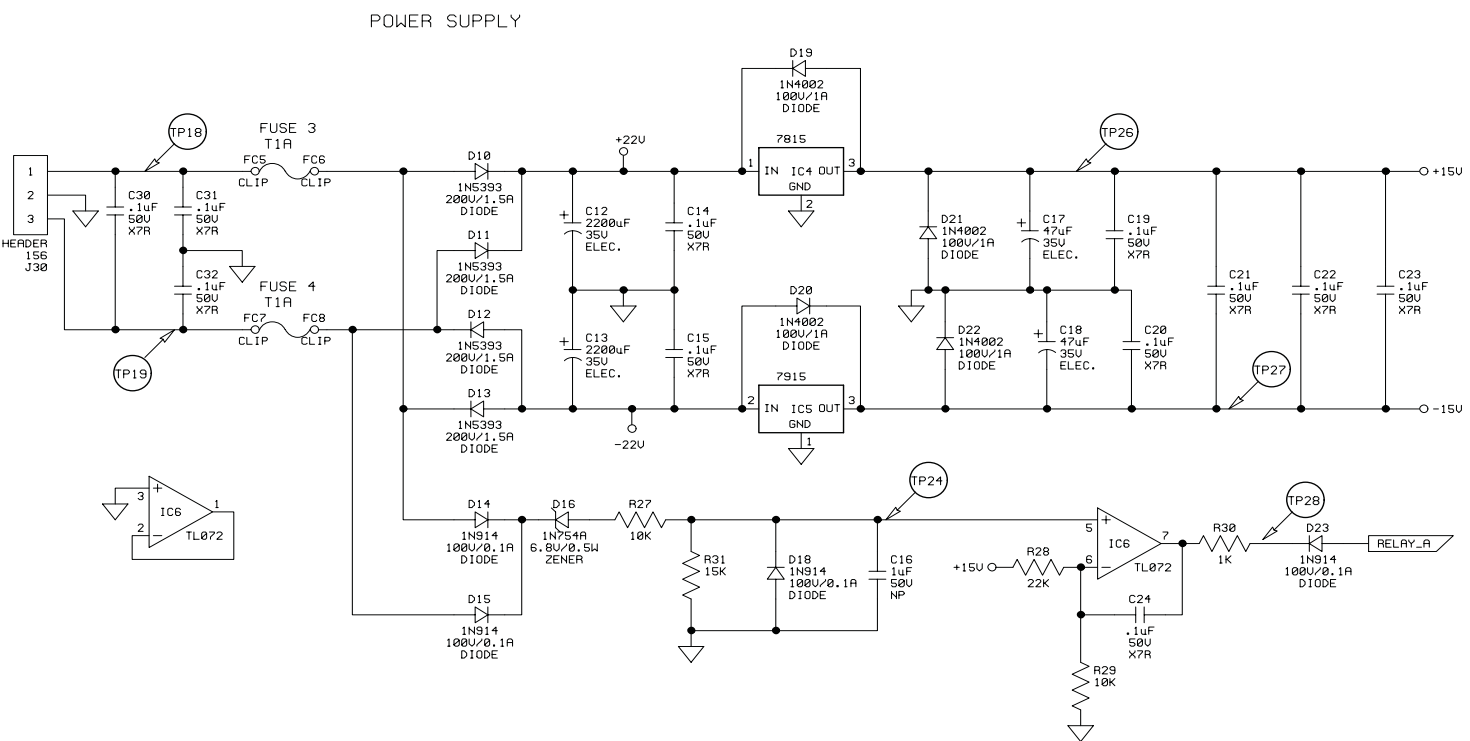
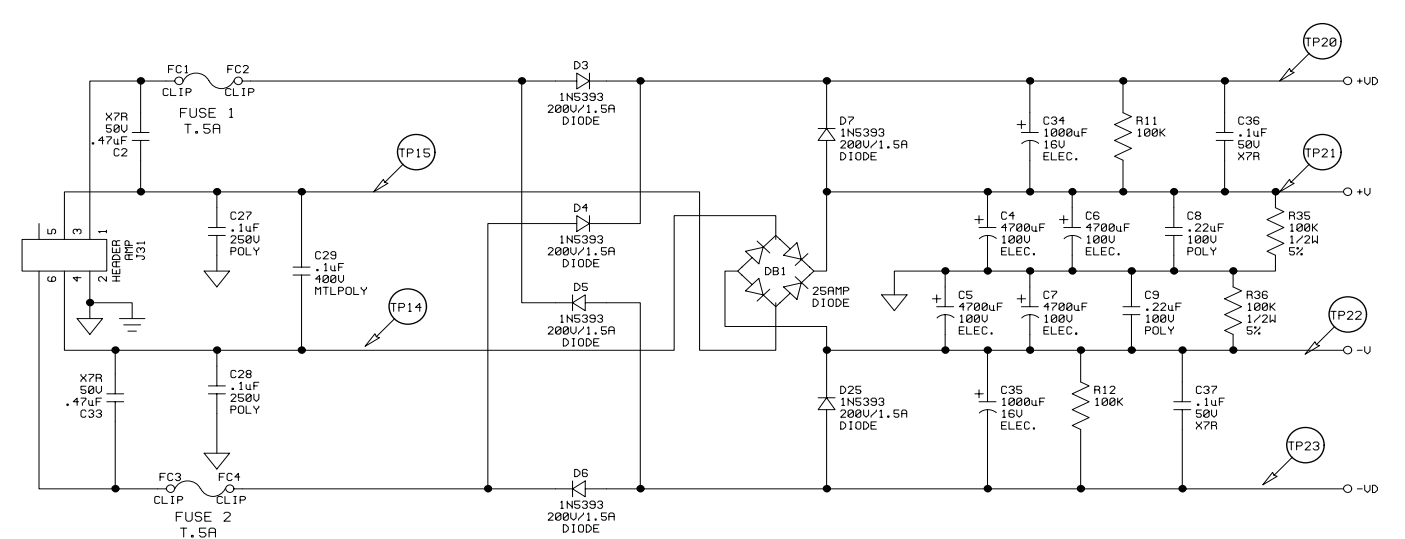
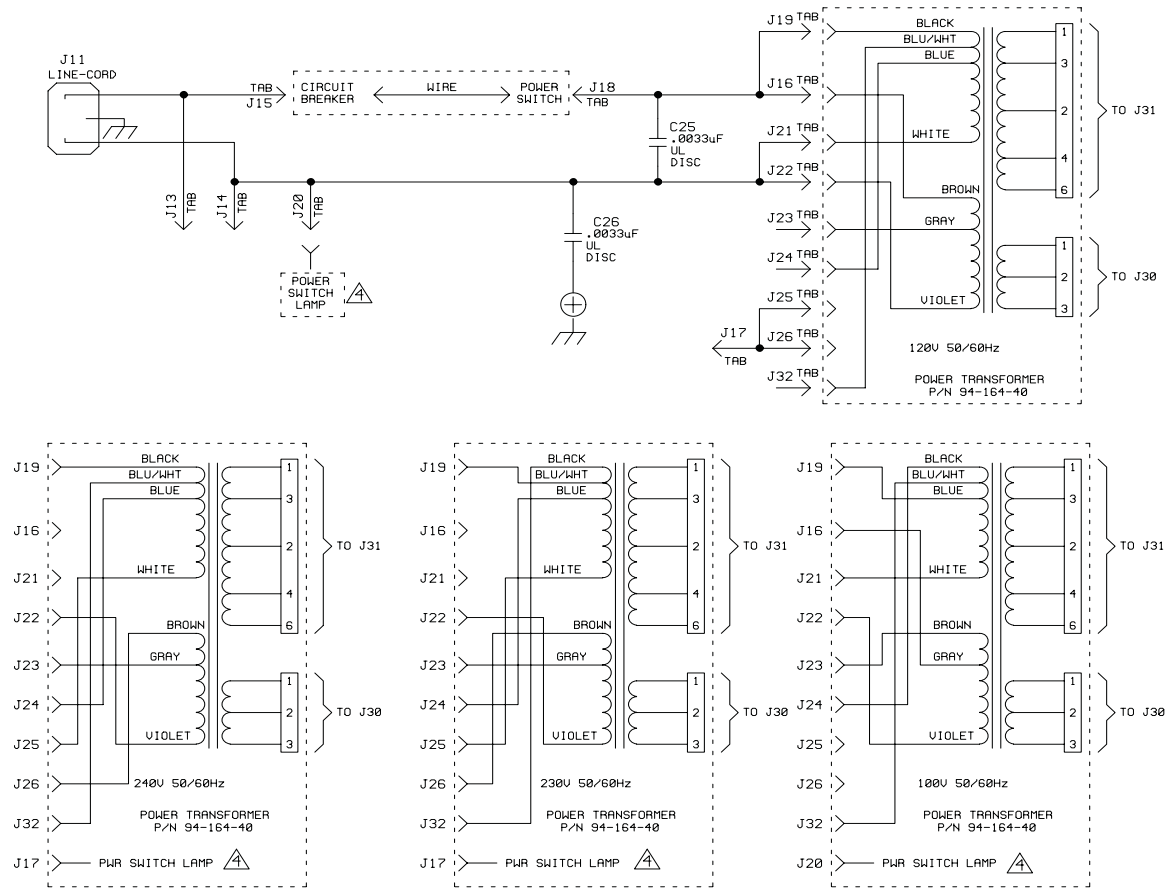


- NOTES:
- 1) THIS UNIT CONTAINS HAZARDOUS VOLTAGE. DISCONNECT POWER AND BE SURE POWER SUPPLY IS DISCHARGED BEFORE TOUCHING INTERNAL PARTS.
  - 2) UNLESS NOTED, RESISTOR VALUES IN OHMS, 1/4W-5% TOL. CAPACITOR VALUES IN MICROFARADS, 50V-10% TOL.
  - 3) VOLTAGES ARE MEASURED WITH 1 MEGOHM OSCILLOSCOPE AND 10 MEGOHM DIGITAL VOLTMETER.

CAUTION:  
 THIS SCHEMATIC IS PROVIDED FOR USE BY QUALIFIED PERSONNEL.  
 TO AVOID RISK OF ELECTRIC SHOCK, REFER SERVICING TO QUALIFIED SERVICE PERSONNEL. DO NOT PERFORM ANY SERVICING BEYOND THAT EXPLAINED IN THE OPERATING INSTRUCTIONS.

SHEETS 13, 14 & 15 OF THIS DRAWING REPRESENTS  
 ASSY P/N 07-442-12

5	CREATED_DASH_01_RND_12					
REV:	DATE:	DESCRIPTION	ECR/ECN NO:	CHG'D BY:	APP'D BY:	DATE:
THIS INFORMATION CONTAINED ON THIS DRAWING IS PROPRIETARY TO ST. LOUIS MUSIC, INC.						
SIGNATURES:		DATE:				
DRAWN: REM		6-25-98				
CHK'D:			FIRST USED ON:			
ALS'D:						
TOLERANCES:	DRAWING SIZE: D	DRAWING TITLE: POWER_AMP				
	DRAWING TYPE: - SCHEMATIC	DRAWING NO.:				
	CLASS CODE:	DRAWING NO.:				
	SCALE: NONE	SHEET: SHT 14 OF 15	07S442-XX			



NOTES:  
 1) THIS UNIT CONTAINS HAZARDOUS VOLTAGE. DISCONNECT POWER AND BE SURE POWER SUPPLY IS DISCHARGED BEFORE TOUCHING INTERNAL PARTS.  
 2) UNLESS NOTED, RESISTOR VALUES IN OHMS, 1/4W-5% TOL. CAPACITOR VALUES IN MICROFARADS, 50V-10% TOL.  
 3) VOLTAGES ARE MEASURED WITH 1 MEGOHM OSCILLOSCOPE AND 10 MEGOHM DIGITAL VOLTMETER.  
 4) IF REQUIRED FOR CHASSIS ASSY.

CAUTION:  
 THIS SCHEMATIC IS PROVIDED FOR USE BY QUALIFIED PERSONNEL. TO AVOID RISK OF ELECTRIC SHOCK, REFER SERVICING TO QUALIFIED SERVICE PERSONNEL. DO NOT PERFORM ANY SERVICING BEYOND THAT EXPLAINED IN THE OPERATING INSTRUCTIONS.

TP	NO SIGNAL	40URMS OUT @ 8 OHMS	LIMITING @ 8 OHMS	AS NOTED	WAVEFORM
13	VARIABLES w/TEMP	Varies w/temp.	Varies w/temp.		
14	61Vac	51Vac	51Vac		~
15	61Vac	51Vac	51Vac		~
16	+14Vdc	-4.6Vdc	-4.6Vdc		
17	+14.4Vdc	+14.4Vdc	+14.4Vdc		
18	20Vac	19Vac	19Vac		~
19	20Vac	19Vac	19Vac		~
20	+71Vdc	+64.5Vdc	+64.5Vdc		~
21	+63Vdc	+59Vdc	+59Vdc		~
22	-63Vdc	-59Vdc	-59Vdc		~
23	-71Vdc	-64.5Vdc	-64.5Vdc		~
24	+6Vdc	+5.73Vdc	+5.73Vdc		
25	NOT USED				
26	+15Vdc	+15Vdc	+15Vdc		
27	-15Vdc	-15Vdc	-15Vdc		
28	+14.3Vdc	+14.3Vdc	+14.3Vdc		

SHEETS 13, 14 & 15 OF THIS DRAWING REPRESENTS ASSY P/N 07-442-12

REV: 8	DATE: 7/8/05	DESCRIPTION: SEE SHEET-1	ECA/ECH NO: N01867	CHK'D BY: [Signature]	APP'D BY: [Signature]	DATE: 6-25-98
THIS INFORMATION CONTAINED ON THIS DRAWING IS PROPRIETARY TO ST. LOUIS MUSIC, INC.						
SIGNATURES:		DATE:		11800 Bowman Dr., St. Louis, Missouri 63146		
DRAWN: REM		DATE: 6-25-98		FIRST USED ON:		
CHK'D:		DATE:		DRAWING NO.:		
ALS'D:		DATE:		DRAWING TITLE: POWER_AMP		
TOLERANCES:		DRAWING SIZE: D		DRAWING NO.:		
		DRAWING TYPE: - SCHEMATIC		DRAWING NO.:		
		CLASS CODE:		DRAWING NO.:		
		SCALE: NONE		DRAWING NO.:		
		SHEET: SH1 15 OF 15		DRAWING NO.:		