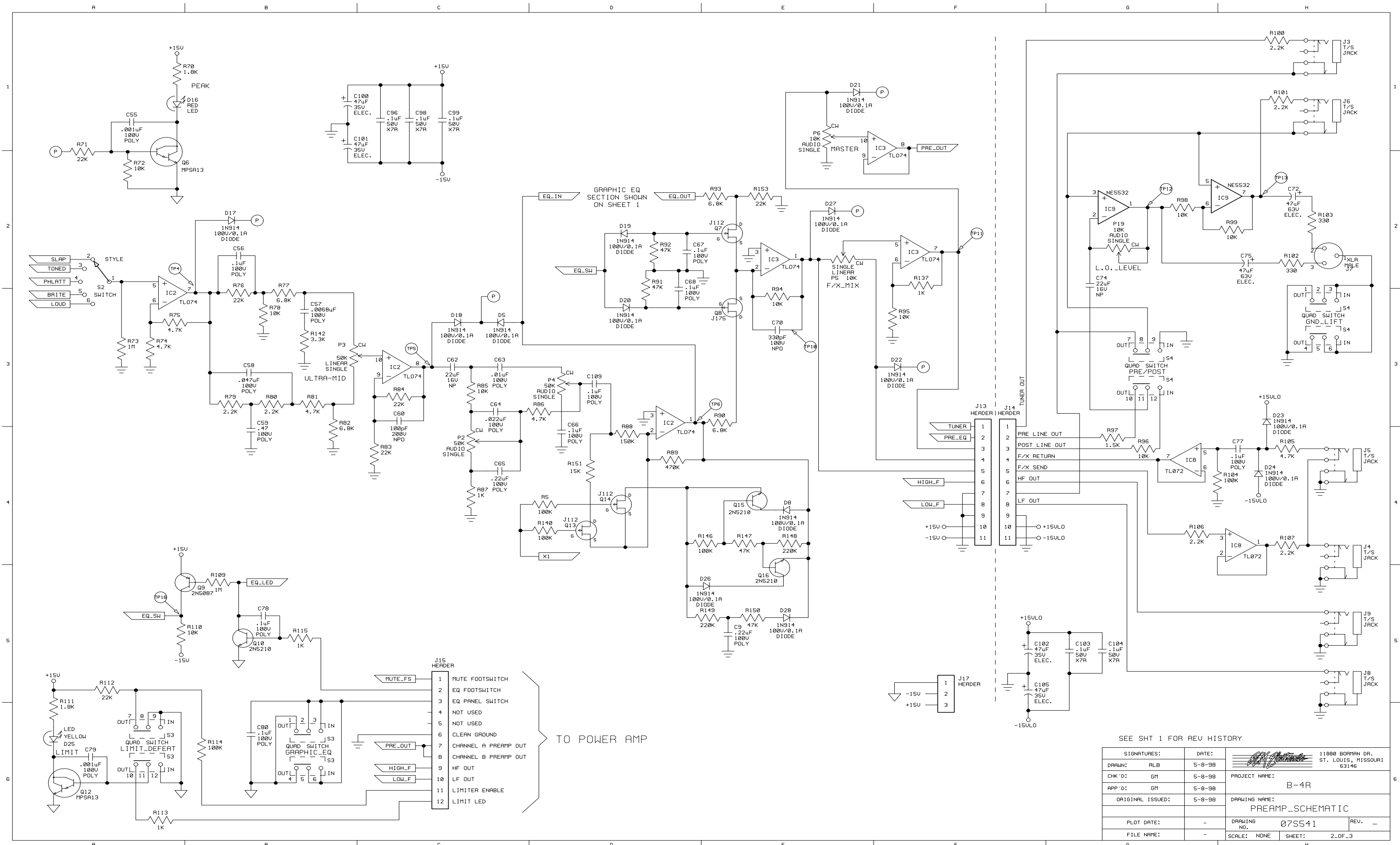


CAUTION:
THIS SCHEMATIC IS PROVIDED FOR USE BY QUALIFIED PERSONNEL.
TO AVOID RISK OF ELECTRIC SHOCK, REFER SERVICING TO QUALIFIED
SERVICE PERSONNEL. DO NOT PERFORM ANY SERVICING BEYOND
THAT EXPLAINED IN THE OPERATING INSTRUCTIONS.

- NOTES:
- 1) CAUTION: SHOCK HAZARD!!
THIS UNIT CONTAINS HAZARDOUS VOLTAGE. DISCONNECT POWER
AND BE SURE POWER SUPPLY IS DISCHARGED BEFORE
TOUCHING INTERNAL PARTS.
 - 2) UNLESS NOTED, RESISTOR VALUES IN OHMS, 1/4W-5% TOL.
CAPACITOR VALUES IN MICROFARADS, 50V-10% TOL.
 - 3) VOLTAGES ARE MEASURED WITH 1 MEGOHM OSCILLOSCOPE
AND 10 MEGOHM DIGITAL VOLTMETER.

DRAWING IS FOR ASSY 07-541-01/02

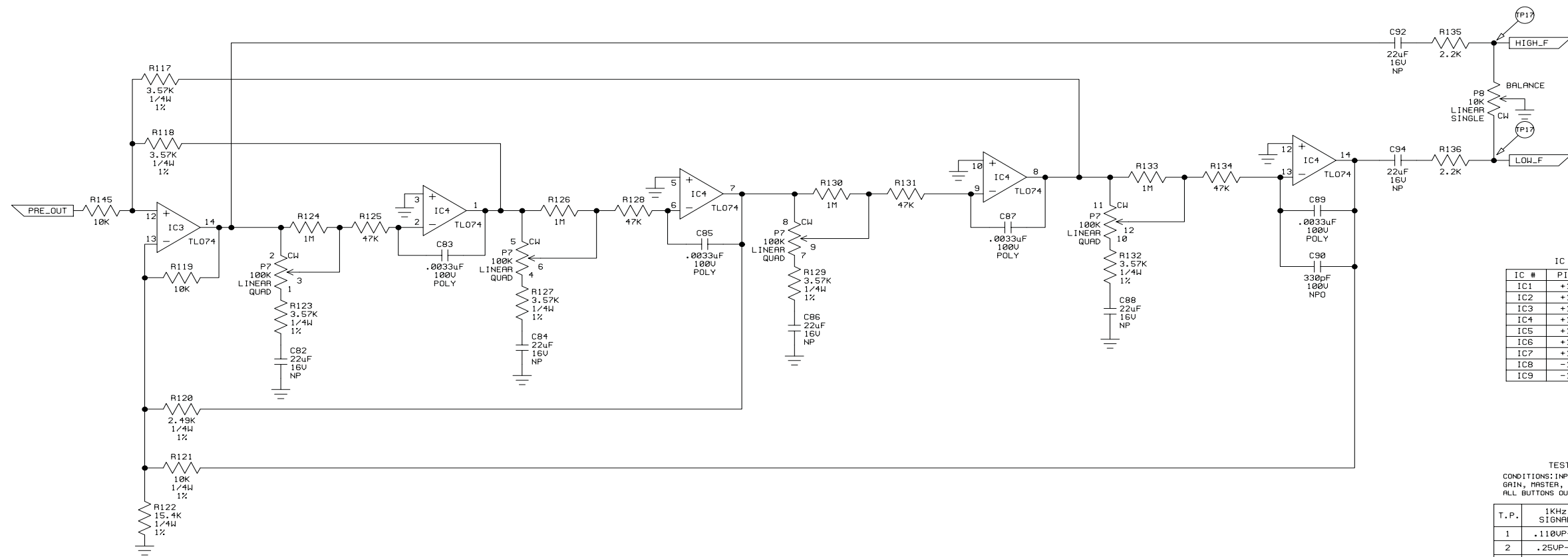
REV	DATE	DESCRIPTION	ECOM
0	11-30-05	SUPERSEDES_075541-01_WITHOUT_CHANGE	N02004
SIGNATURES:			DATE:
DRAWN: RLB		5-8-98	11880 BORMAN DR. ST. LOUIS, MISSOURI 63146
CHK'D: GM		5-8-98	PROJECT NAME: B-4R
APP'D: GM		5-8-98	DRAWING NAME: PREAMP_SCHEMATIC
ORIGINAL ISSUED:		5-8-98	DRAWING NO.: 075541
PLOT DATE:		-	SCALE: NONE
FILE NAME:		54101C3_	SHEET: 1_OF_3



TO POWER AMP

SEE SHT 1 FOR REV HISTORY

SIGNATURES:		DATE:		11880 BORMAN DR. ST. LOUIS, MISSOURI 63146	
DRAWN:	RLB	5-8-98		PROJECT NAME:	B-4R
CHK'D:	GM	5-8-98		DRAWING NAME:	PREAMP_SCHEMATIC
APP'D:	GM	5-8-98		DRAWING NO.	075541
ORIGINAL ISSUED:	5-8-98			SCALE:	NONE
PLOT DATE:	-			SHEET:	2_OF_3
FILE NAME:	-				



IC POWER CHART

IC #	PIN 4	PIN 11	PIN 8
IC1	+14U	-14U	-
IC2	+15U	-15U	-
IC3	+15U	-15U	-
IC4	+15U	-15U	-
IC5	+15U	-15U	-
IC6	+15U	-15U	-
IC7	+15U	-15U	-
IC8	-15U	-	+15U
IC9	-15U	-	+15U

TEST POINT CHART

CONDITIONS: INPUT 75mV-P (26mVRMS) @ 1KHz
GAIN, MASTER, LINE OUT LEVEL @ 10; TONES @ 5;
ALL BUTTONS OUT

T.P.	1KHz SIGNAL	D.C. (V)	
1	.110V-P	0	
2	.25V-P	0	
3	12V-P	0	
4	7V-P	0	
5	5.5V-P	0	
6	1.8V-P	0	
7	1.8V-P	0	
8	1.8V-P	0	
9	2.5V-P	0	
10	2.7V-P	0	
11	3V-P	0	
12	.75V-P	0	
13	.75V-P	0	
14	MUTE_OFF	-15	
14	MUTE_ON	0.6	
15	TEXTURE_OUT	-15	
15	TEXTURE_IN	-0.2	
16	EQ_OUT	-12	
16	EQ_IN	15	
17	-3dB FROM PREAMP OUT IN PASS BAND	0	

LAST USED DESIGNATOR
R155
C110
D28

- NOTES:
- CAUTION: SHOCK HAZARD!! THIS UNIT CONTAINS HAZARDOUS VOLTAGE. DISCONNECT POWER AND BE SURE POWER SUPPLY IS DISCHARGED BEFORE TOUCHING INTERNAL PARTS.
 - UNLESS NOTED, RESISTOR VALUES IN OHMS, 1/4W-5% TOL. CAPACITOR VALUES IN MICROFARADS, 50V-10% TOL.
 - VOLTAGES ARE MEASURED WITH 1 MEGOHM OSCILLOSCOPE AND 10 MEGOHM DIGITAL VOLTMETER.

CAUTION:
THIS SCHEMATIC IS PROVIDED FOR USE BY QUALIFIED PERSONNEL. TO AVOID RISK OF ELECTRIC SHOCK, REFER SERVICING TO QUALIFIED SERVICE PERSONNEL. DO NOT PERFORM ANY SERVICING BEYOND THAT EXPLAINED IN THE OPERATING INSTRUCTIONS.

SEE SHT 1 FOR REV HISTORY

SIGNATURES:	DATE:	 11880 BORMAN DR. ST. LOUIS, MISSOURI 63146
DRAWN: RLB	5-8-98	
CHK'D: GM	5-8-98	PROJECT NAME: B-4R
APP'D: GM	5-8-98	DRAWING NAME: PREAMP_SCHEMATIC
ORIGINAL ISSUED:	5-8-98	DRAWING NO. 07S541
PLOT DATE:	-	REV. -
FILE NAME:	-	SCALE: NONE SHEET: 3_OF_3