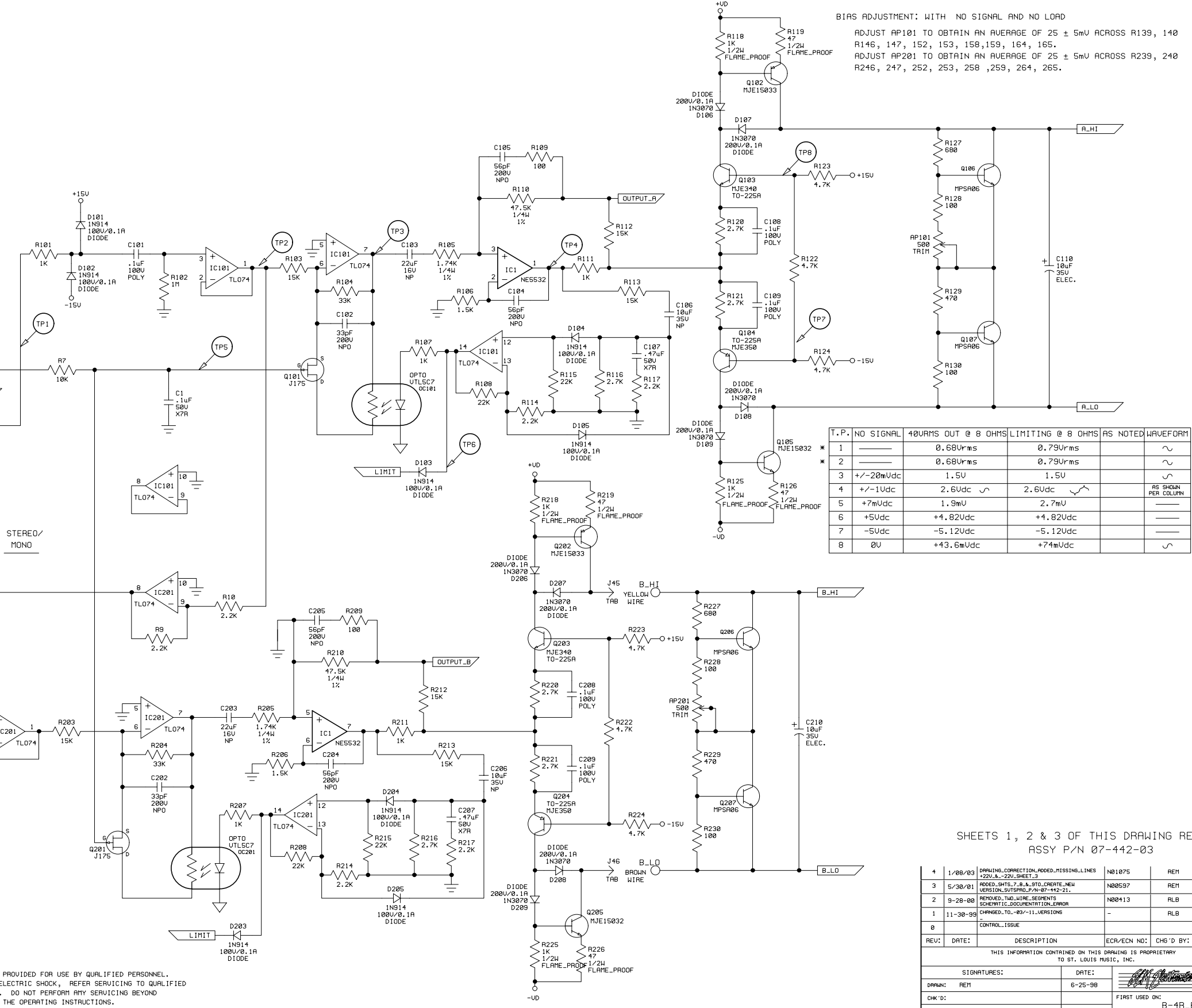


NOTES:
 1) THIS UNIT CONTAINS HAZARDOUS VOLTAGE. DISCONNECT POWER AND BE SURE POWER SUPPLY IS DISCHARGED BEFORE TOUCHING INTERNAL PARTS.
 2) UNLESS NOTED, RESISTOR VALUES IN OHMS, 1/4W-5% TOL. CAPACITOR VALUES IN MICROFARADS, 50U-10% TOL.
 3) VOLTAGES ARE MEASURED WITH 1 MEGOHM OSCILLOSCOPE AND 10 MEGOHM DIGITAL VOLTMETER.

CAUTION:
 THIS SCHEMATIC IS PROVIDED FOR USE BY QUALIFIED PERSONNEL. TO AVOID RISK OF ELECTRIC SHOCK, REFER SERVICING TO QUALIFIED SERVICE PERSONNEL. DO NOT PERFORM ANY SERVICING BEYOND THAT EXPLAINED IN THE OPERATING INSTRUCTIONS.



BIAS ADJUSTMENT: WITH NO SIGNAL AND NO LOAD
 ADJUST AP101 TO OBTAIN AN AVERAGE OF 25 ± 5mV ACROSS R139, 140, R146, 147, 152, 153, 158, 159, 164, 165.
 ADJUST AP201 TO OBTAIN AN AVERAGE OF 25 ± 5mV ACROSS R239, 240, R246, 247, 252, 253, 258, 259, 264, 265.

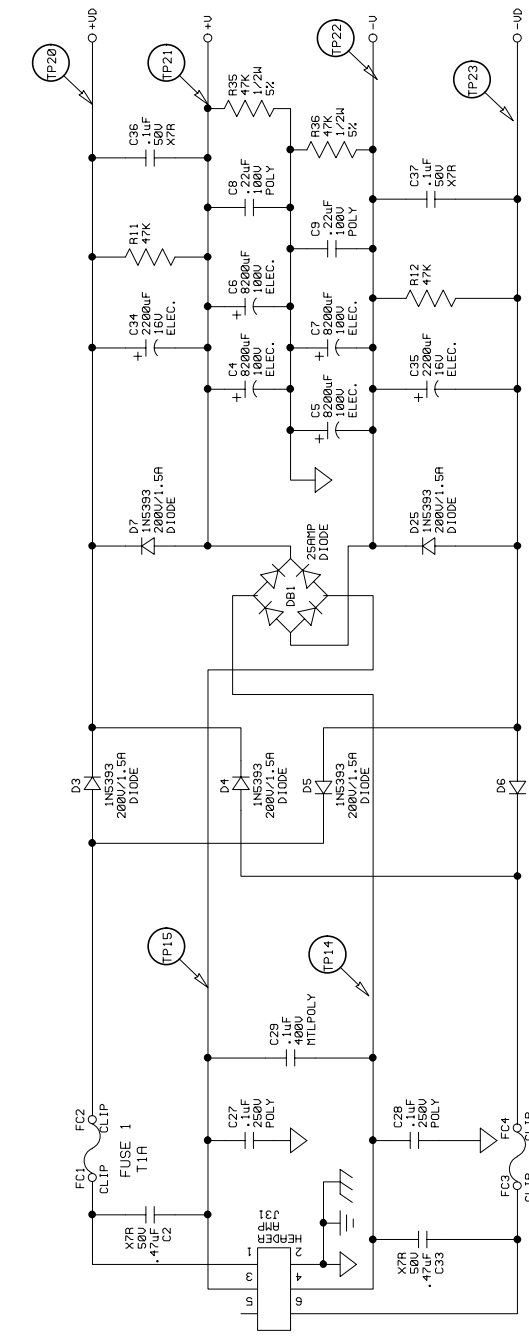
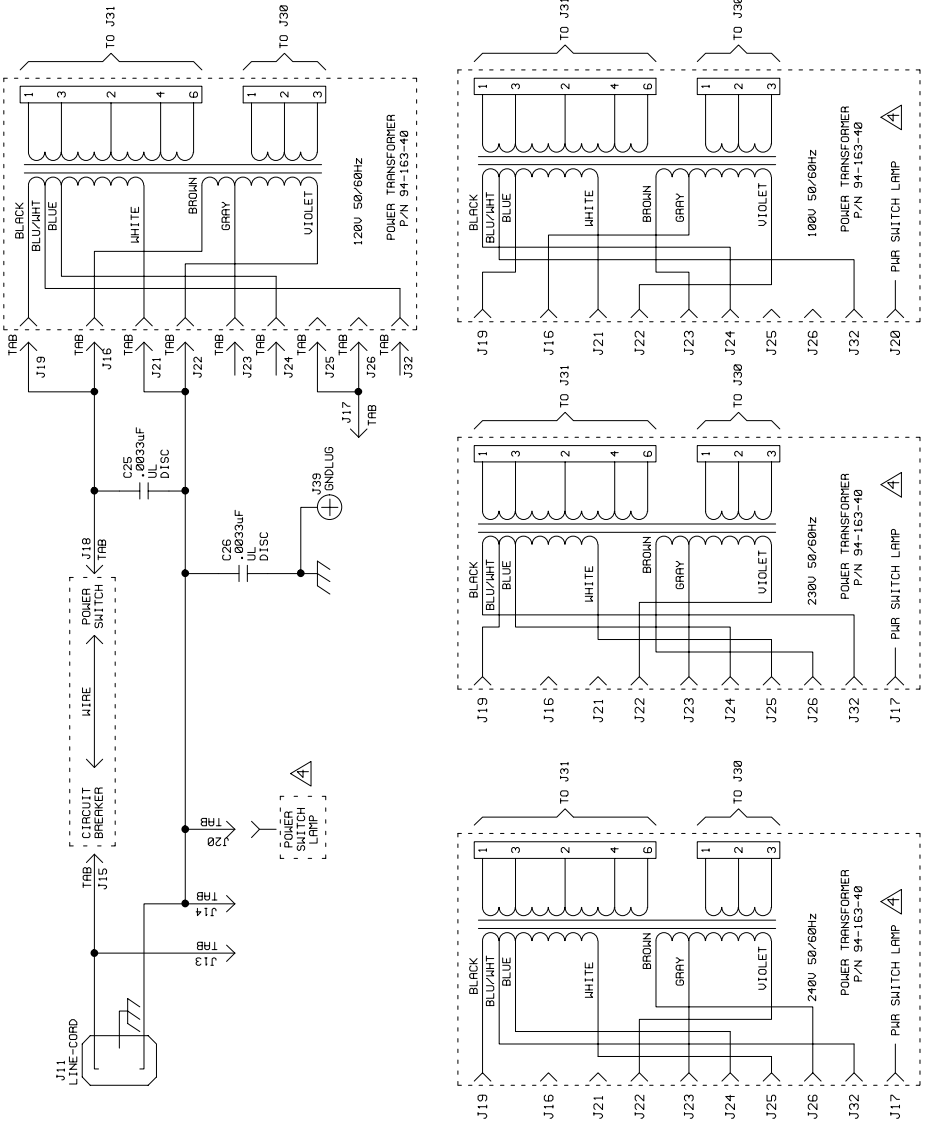
T.P.	NO SIGNAL	40Vrms OUT @ 8 OHMS	LIMITING @ 8 OHMS	AS NOTED	WAVEFORM
1		0.68Vrms	0.79Vrms		~
2		0.68Vrms	0.79Vrms		~
3	+/-20mVdc	1.5V	1.5V		~
4	+/-1Vdc	2.6Vdc	2.6Vdc		AS SHOWN PER COLUMN
5	+7mVdc	1.9mV	2.7mV		
6	+5Udc	+4.82Udc	+4.82Udc		
7	-5Udc	-5.12Udc	-5.12Udc		
8	0V	+43.6mVdc	+74mVdc		~

SHEETS 1, 2 & 3 OF THIS DRAWING REPRESENT ASSY P/N 07-442-03

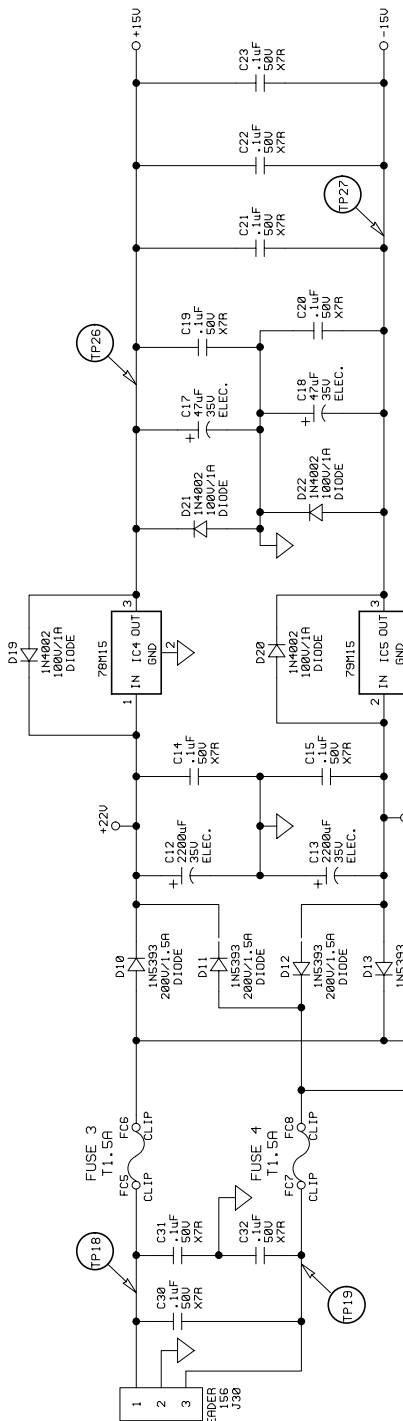
REV	DATE	DESCRIPTION	ECR/ECN NO	CHG'D BY	APP'D BY	DATE
4	1/08/03	DRAWING CORRECTION ADDED MISSING LINES +22U8-22U SHEET 3		N01075	REM	
3	5/30/01	ADDED SMTS 7, 8, & 9 TO CREATE NEW VERSION SUBPART P/N 07-442-21.		N00597	REM	
2	9-28-00	REMOVED TWO WIRE SEGMENTS SCHEMATIC DOCUMENTATION ERROR		N00413	RLB	
1	11-30-99	CHANGED TO -03/-11 VERSIONS			RLB	
0		CONTROL ISSUE				

THIS INFORMATION CONTAINED ON THIS DRAWING IS PROPRIETARY TO ST. LOUIS MUSIC, INC.

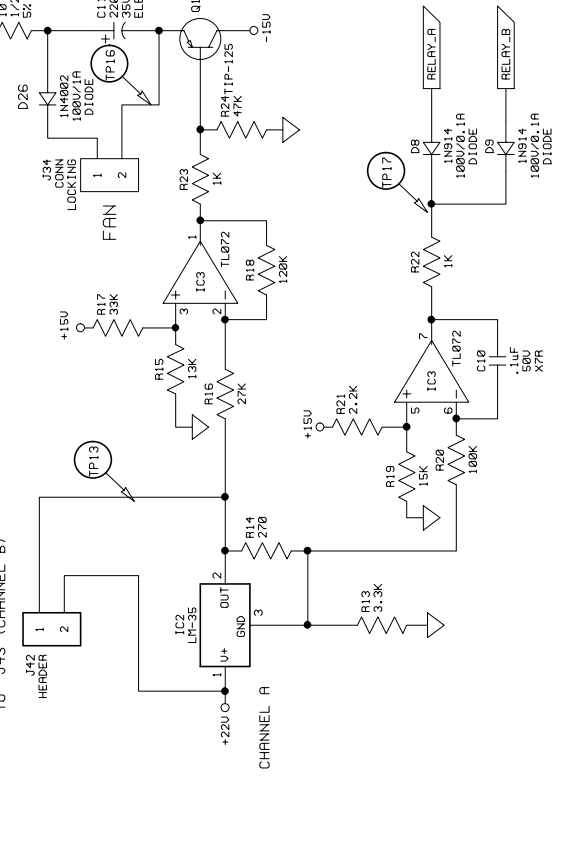
SIGNATURES:	DATE:	1188 Borman Dr. St. Louis, Missouri 63146
DRAWN: REM	6-25-98	
CHK'D:		
RLS'D:		
DRAWING TITLE:	POWER_AMP	
DRAWING NO.:	07S442-XX	
DRAWING TYPE:	SCHEMATIC	
CLASS CODE:		
SCALE:	NONE	
SHEET:	SHT 1 OF 9	



POWER SUPPLY



FAN SPEED CONTROL



OVER-TEMP PROTECTION

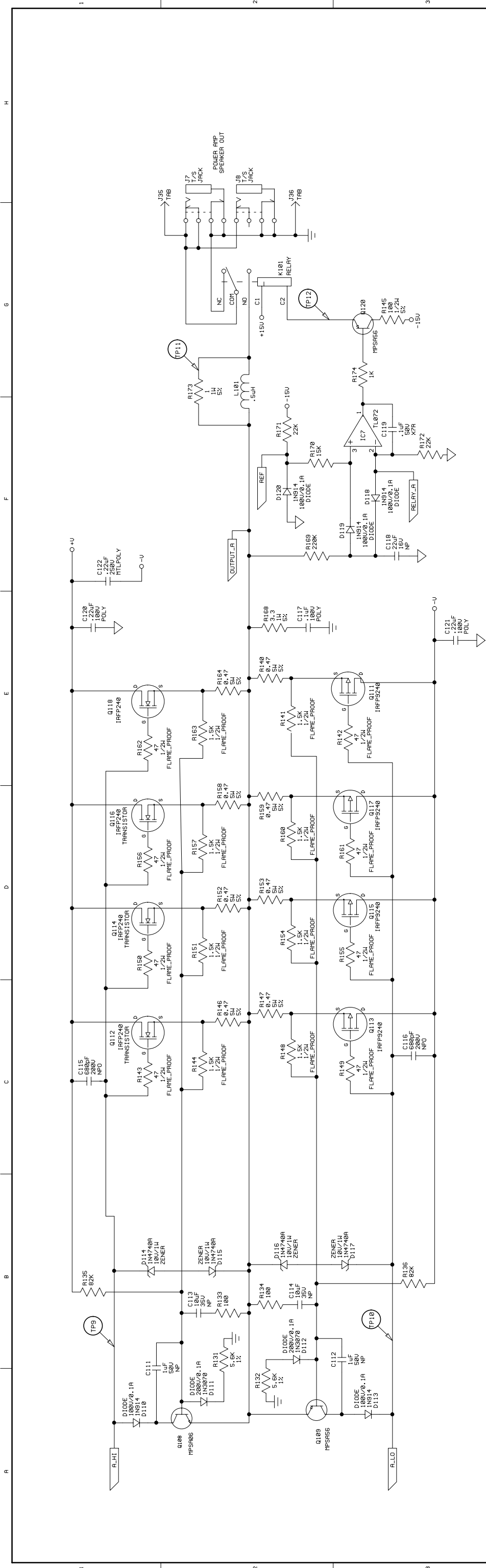
TP NO	SIGNAL	40Vrms OUT @ 8 Ohms	Limiting @ 8 Ohms	AS NOTED	Waveform
13	VARIES w/TEMP	Varies w/Temp.	Varies w/Temp.		
14	61Vac	51Vac	51Vac	~	~
15	61Vac	51Vac	51Vac	~	~
16	+14Vdc	-4.6Vdc	-4.6Vdc	~	~
17	+14.4Vdc	+14.4Vdc	+14.4Vdc	~	~
18	20Vac	19Vac	19Vac	~	~
19	20Vac	19Vac	19Vac	~	~
20	+71Vdc	+64.5Vdc	+64.5Vdc	~	~
21	+63Vdc	+59Vdc	+59Vdc	~	~
22	-63Vdc	-59Vdc	-59Vdc	~	~
23	-71Vdc	-64.5Vdc	-64.5Vdc	~	~
24	+6Vdc	+5.73Vdc	+5.73Vdc	~	~
25	NOT USED				
26	+15Vdc	+15Vdc	+15Vdc	~	~
27	-15Vdc	-15Vdc	-15Vdc	~	~
28	+14.3Vdc	+14.3Vdc	+14.3Vdc	~	~

- NOTES:
- 1) THIS UNIT CONTAINS HAZARDOUS VOLTAGE. DISCONNECT POWER AND BE SURE POWER SUPPLY IS DISCHARGED BEFORE TOUCHING INTERNAL PARTS.
 - 2) UNLESS NOTED, RESISTOR VALUES IN OHMS, 1/4W-5% TOL. CAPACITOR VALUES IN MICROFARADS, 50V-10% TOL.
 - 3) VOLTAGES ARE MEASURED WITH 1 MEGOHM OSCILLOSCOPE AND 10 MEGOHM DIGITAL VOLTMETER.
 - 4) IF REQUIRED FOR CHASSIS ASSY.

CAUTION: THIS SCHEMATIC IS PROVIDED FOR USE BY QUALIFIED PERSONNEL. TO AVOID RISK OF ELECTRIC SHOCK, REFER SERVICING TO QUALIFIED SERVICE PERSONNEL. DO NOT PERFORM ANY SERVICING BEYOND THAT EXPLAINED IN THE OPERATING INSTRUCTIONS.

SHEETS 1, 2 & 3 OF THIS DRAWING REPRESENT ASSY P/N 07-442-03

REV	DATE	DESCRIPTION	CHK'D BY	APP'D BY	DATE
4		SEE SHEET 1 FOR REV HISTORY			
THIS INFORMATION CONTAINED ON THIS DRAWING IS PROPRIETARY TO ST. LOUIS MUSIC, INC.					
DATE:	6-25-98				
SIGNATURES:					
CHK'D:	REP				
APP'D:					
CLASS CODE:					
DRAWING TYPE:	- SCHEMATIC				
DRAWING TITLE:	POWER AMP				
DRAWING NO.:	07S442-XX				
SHEET:	SHT 3 OF 9				

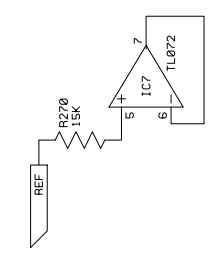


T.P.	NO	SIGNAL	40uRMS OUT @ 8 OHMS	LIMITING @ 8 OHMS	AS NOTED	WAVEFORM
9		+3.6VDC	40Urms	41Urms		~
10		-3.5VDC	40Urms	41Urms		~
11		7.2mVDC	40Urms	41Urms		~
12		-11.52VDC		-11.8VDC		~

BIAS ADJUSTMENT: WITH NO SIGNAL AND NO LOAD
 ADJUST RP101 TO OBTAIN AN AVERAGE OF $25 \pm 5mV$ ACROSS R139, 140,
 R146, 147, 152, 153, 158, 159, 164, 165.

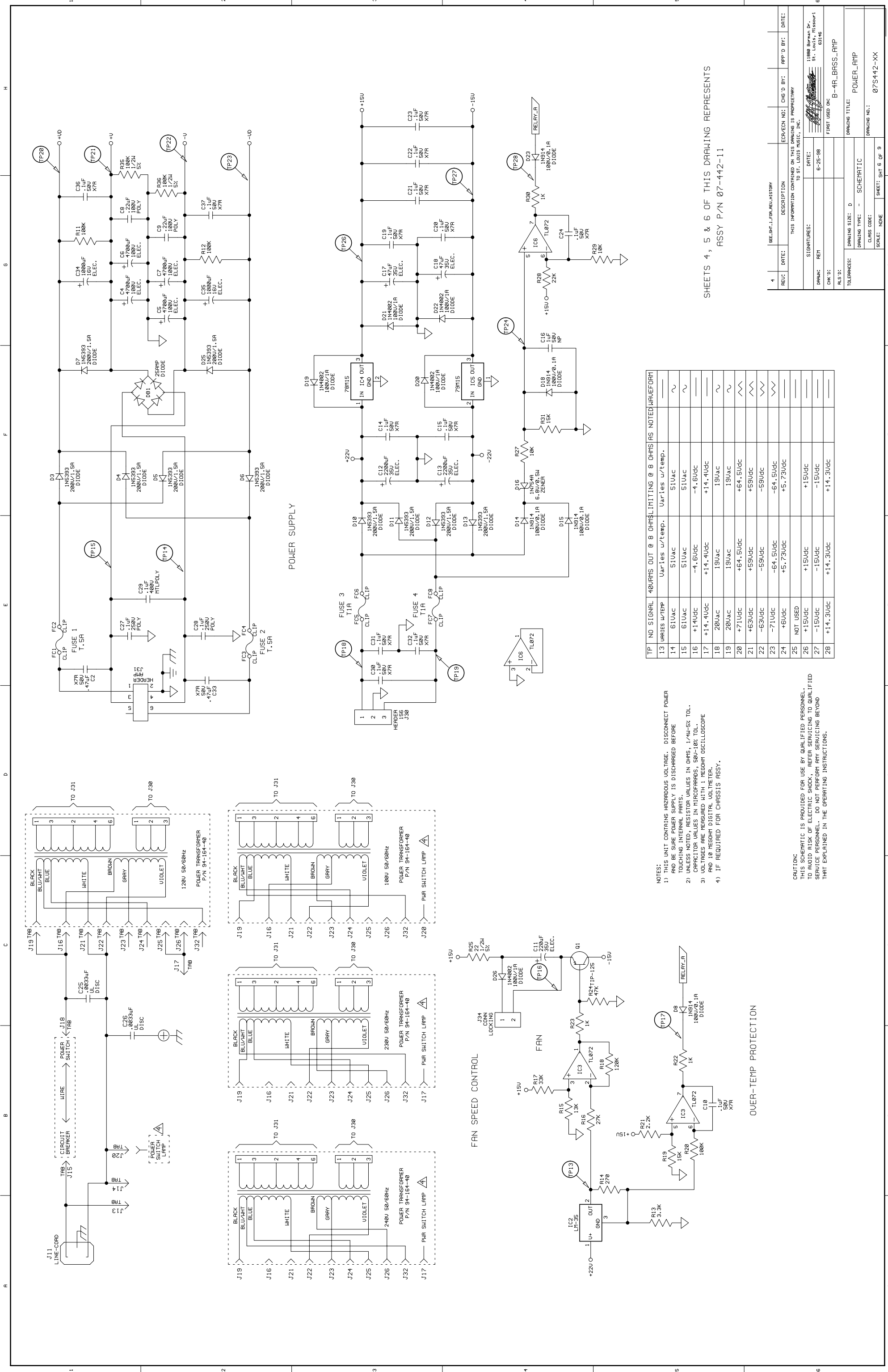
- NOTES:
- 1) THIS UNIT CONTAINS HAZARDOUS VOLTAGE. DISCONNECT POWER AND BE SURE POWER SUPPLY IS DISCHARGED BEFORE TOUCHING INTERNAL PARTS.
 - 2) UNLESS NOTED, RESISTOR VALUES IN OHMS, 1/4W-5% TOL. CAPACITOR VALUES IN MICROFARADS, 50V-10% TOL.
 - 3) VOLTAGES ARE MEASURED WITH 1 MEGOHM OSCILLOSCOPE AND 10 MEGOHM DIGITAL VOLTMETER.

CAUTION:
 THIS SCHEMATIC IS PROVIDED FOR USE BY QUALIFIED PERSONNEL. TO AVOID RISK OF ELECTRIC SHOCK, REFER SERVICING TO QUALIFIED SERVICE PERSONNEL. DO NOT PERFORM ANY SERVICING BEYOND THAT EXPLAINED IN THE OPERATING INSTRUCTIONS.



SHEETS 4, 5 & 6 OF THIS DRAWING REPRESENTS
 ASSY P/N 07-442-11

REV.	DATE:	DESCRIPTION	ECN/ECN NO.	CHG D BY:	APP'D BY:	DATE:
4		SEE SHT. 1 FOR REL. HISTORY				
THIS INFORMATION CONTAINED ON THIS DRAWING IS PROPRIETARY TO ST. LOUIS MUSIC, INC.						
SIGNATURES:						
DRWN:	REM	DATE:	11888 Boraman Dr. St. Louis, Missouri 63146			
CHK'D:		FIRST USED ON:	B-4R_BASS_AMP			
TOLERANCES:						
DRAWING SIZE: D						
DRAWING TYPE: - SCHEMATIC						
DRAWING NO.: POWER_AMP						
SCALE: NONE						
SHEET: SHT 5 OF 9						



POWER SUPPLY

FAN SPEED CONTROL

OVER-TEMP PROTECTION

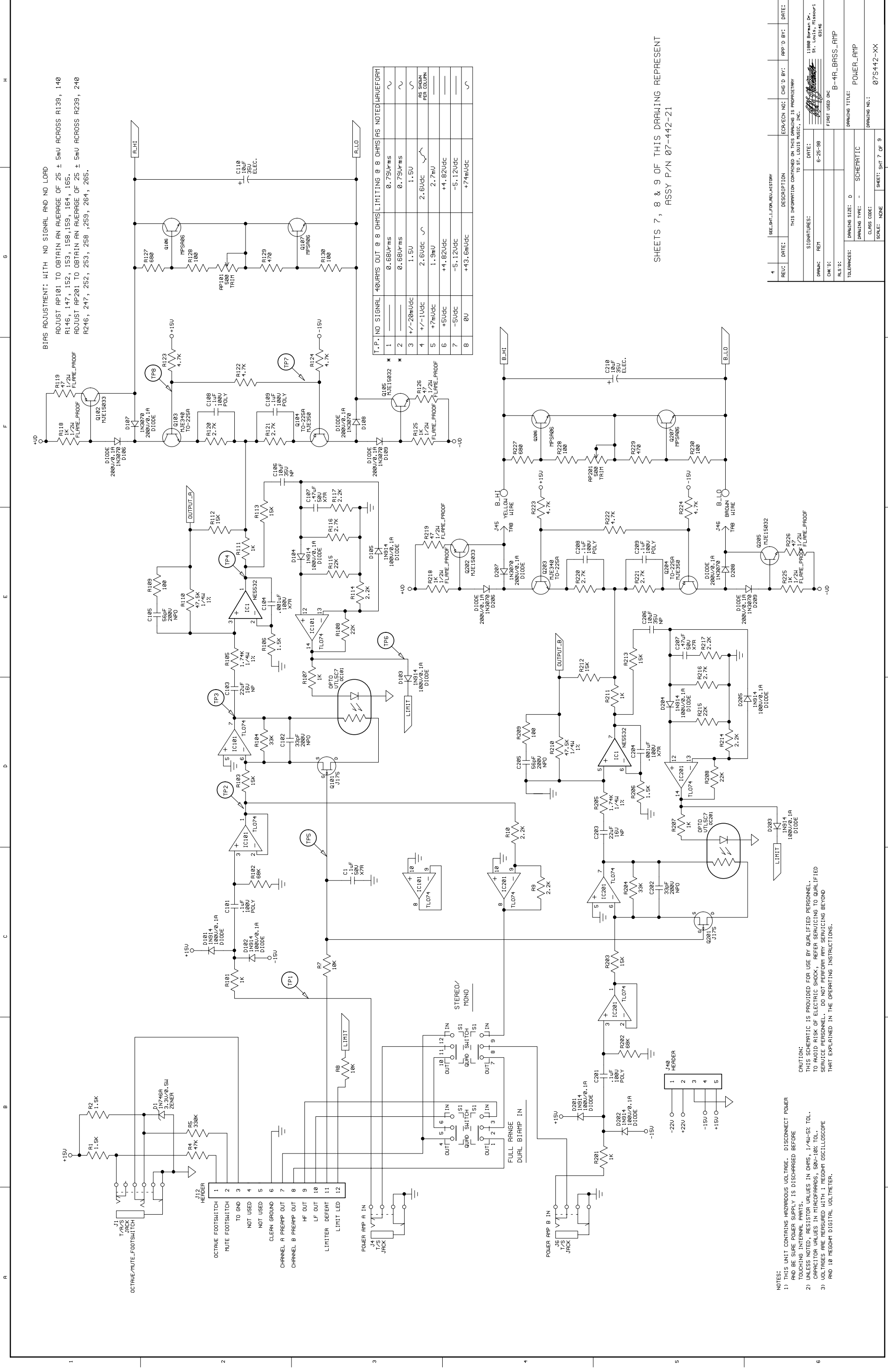
TP	NO SIGNAL	40Vrms OUT @ 8 OHMS	LIMITING @ 8 OHMS AS NOTED WAVEFORM
13	Varies w/Temp	Varies w/Temp.	Varies w/Temp.
14	61Vdc	51Vdc	51Vdc
15	61Vdc	51Vdc	51Vdc
16	+14.0Vdc	-1.6Vdc	-1.6Vdc
17	+14.4Vdc	+14.4Vdc	+14.4Vdc
18	20Vdc	19Vdc	19Vdc
19	20Vdc	19Vdc	19Vdc
20	+71Vdc	+64.5Vdc	+64.5Vdc
21	+63Vdc	+59Vdc	+59Vdc
22	-63Vdc	-59Vdc	-59Vdc
23	-71Vdc	-64.5Vdc	-64.5Vdc
24	+6Vdc	+5.73Vdc	+5.73Vdc
25	NOT USED		
26	+15Vdc	+15Vdc	+15Vdc
27	-15Vdc	-15Vdc	-15Vdc
28	+14.3Vdc	+14.3Vdc	+14.3Vdc

- NOTES:
- 1) THIS UNIT CONTAINS HAZARDOUS VOLTAGE. DISCONNECT POWER AND BE SURE POWER SUPPLY IS DISCHARGED BEFORE TOUCHING INTERNAL PARTS.
 - 2) UNLESS NOTED, RESISTOR VALUES IN OHMS, 1/4W-5% TOL.
 - 3) CAPACITOR VALUES IN MICROFARADS, 50V-10% TOL.
 - 4) VOLTAGES ARE MEASURED WITH 1 MEGOHM OSCILLOSCOPE AND 10 MEGOHM DIGITAL VOLTMETER.
 - 5) IF REQUIRED FOR CHASSIS ASSY.

CAUTION:
THIS SCHEMATIC IS PROVIDED FOR USE BY QUALIFIED PERSONNEL TO AVOID RISK OF ELECTRIC SHOCK. REFER SERVICING TO QUALIFIED SERVICE PERSONNEL. DO NOT PERFORM ANY SERVICING BEYOND THAT EXPLAINED IN THE OPERATING INSTRUCTIONS.

SHEETS 4, 5 & 6 OF THIS DRAWING REPRESENTS
ASSY P/N 07-442-11

4	REV: DATE:	DESCRIPTION	ECN/ECN NO:	CHG'D BY:	APP'D BY:	DATE:
		THIS INFORMATION CONTAINED ON THIS DRAWING IS PROPRIETARY TO ST. LOUIS MUSIC, INC.				
	APPROV: REIT	SIGNATURES:	DATE:			
	CHK'D:		6-25-98			
	RLS'D:		FIRST USED ON:			
	TOLERANCES:		B-4R_BASS_RMP			
	DRAWING SIZE: D	DRAWING TITLE:				
	DRAWING TYPE: - SCHEMATIC					
	CLASS CODE:					
	SCALE: NONE	SHEET: 6 OF 9				
		DRAWING NO.:				
		07S442-XX				



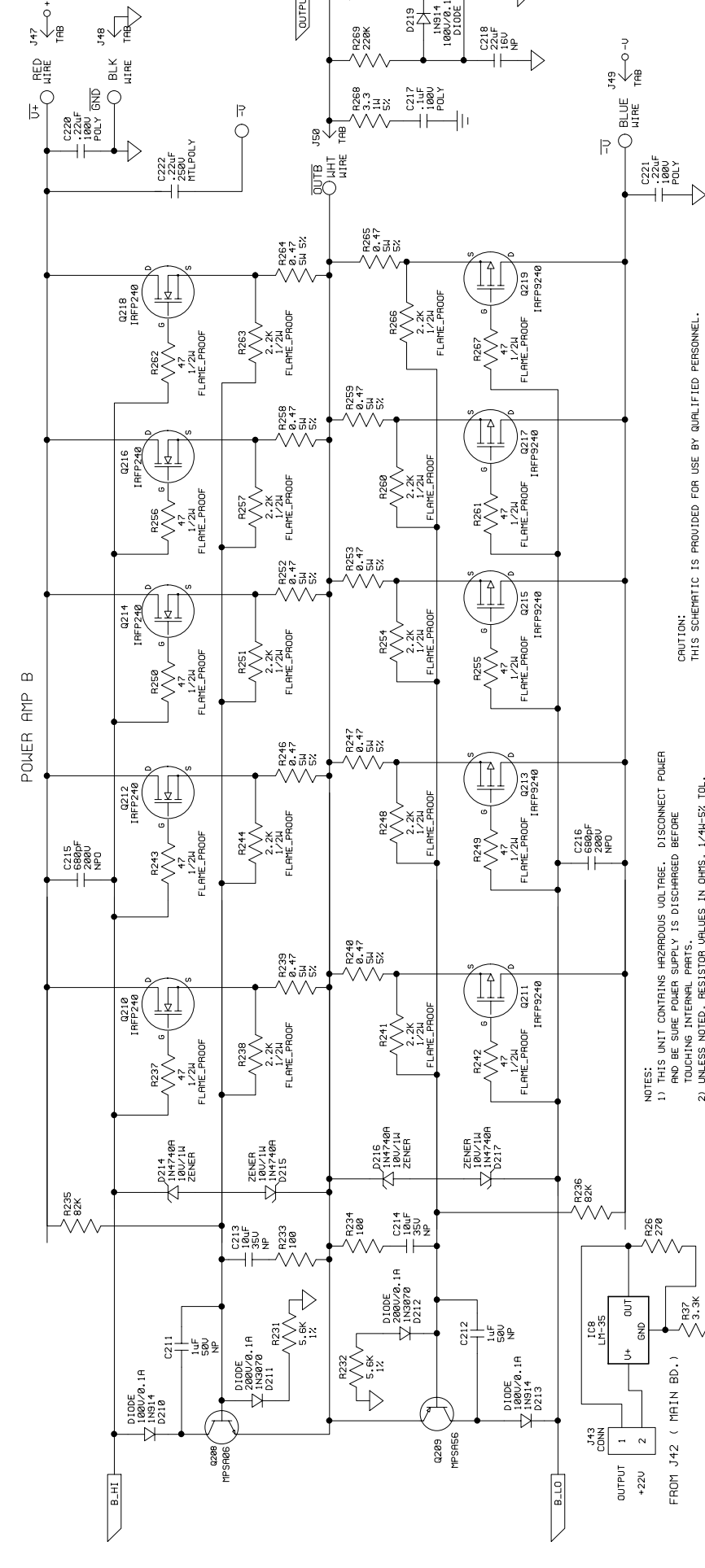
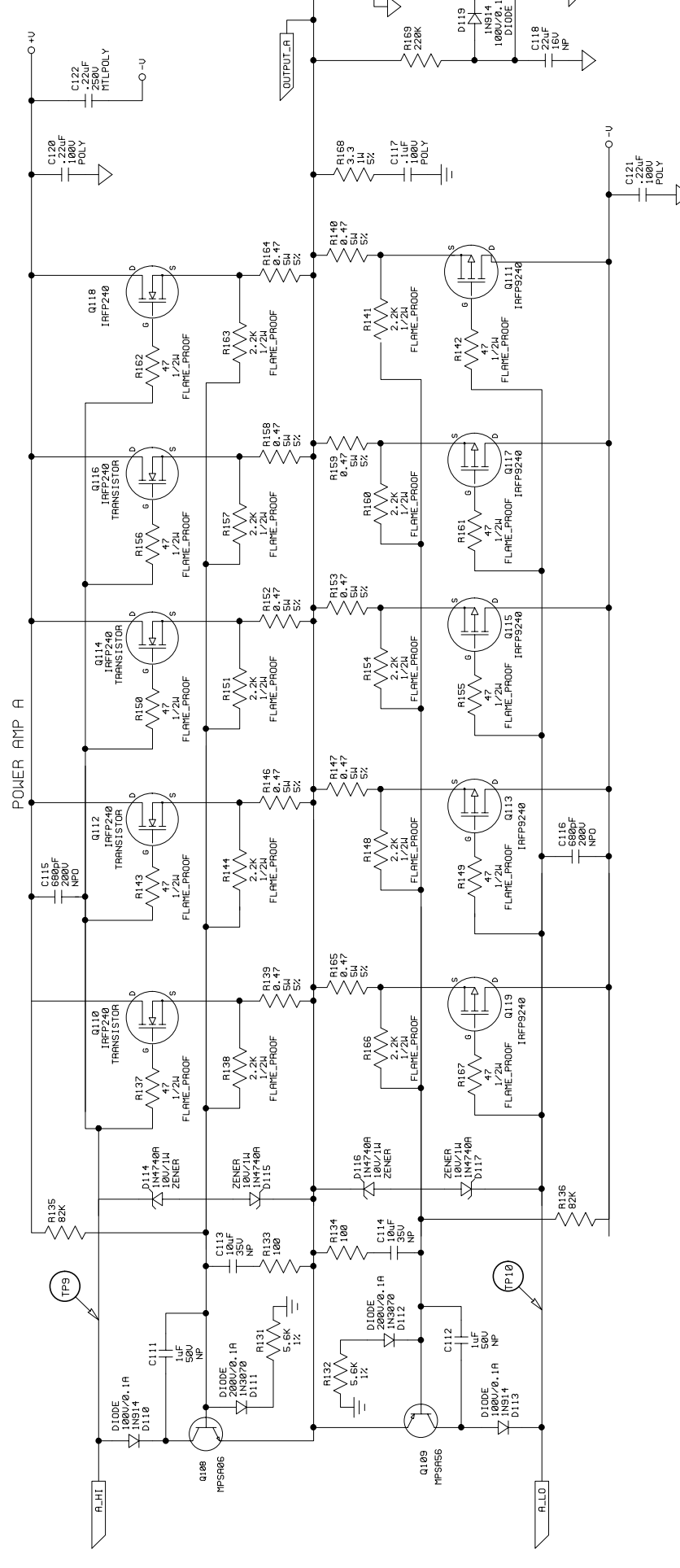
BIAS ADJUSTMENT: WITH NO SIGNAL AND NO LOAD
 ADJUST AP101 TO OBTAIN AN AVERAGE OF 25 ± 5mV ACROSS R139, 140
 R146, 147, 152, 153, 158, 159, 164, 165.
 ADJUST AP201 TO OBTAIN AN AVERAGE OF 25 ± 5mV ACROSS R239, 240
 R246, 247, 252, 253, 258, 259, 264, 265.

SHEETS 7, 8 & 9 OF THIS DRAWING REPRESENT
 ASSY P/N 07-442-21

REV:	DATE:	DESCRIPTION	ECR/CHG NO:	CHG'D BY:	APP'D BY:	DATE:
1		THIS INFORMATION CONTAINED ON THIS DRAWING IS PROPRIETARY TO ST. LOUIS MUSIC, INC.				
SIGNATURES:		DATE:				
DRAWN: RET		6-25-88				
CHK'D:						
R.S. P:		FIRST USED ON: B-4R_BASS_AMP				
TOLERANCES:		DRAWING TITLE: POWER_AMP				
		DRAWING TYPE: SCHEMATIC				
		DRAWING NO.: 075442-XX				
		SCALE: NONE				
		SHEET: 8 OF 9				

NOTES:
 1) THIS UNIT CONTAINS HAZARDOUS VOLTAGE. DISCONNECT POWER AND BE SURE POWER SUPPLY IS DISCHARGED BEFORE TOUCHING INTERNAL PARTS.
 2) UNLESS NOTED, RESISTOR VALUES IN OHMS, 1/4W-5% TOL. CAPACITOR VALUES IN MICROFARADS, 50V-10% TOL.
 3) VOLTAGES ARE MEASURED WITH 1 MEGOHM OSCILLOSCOPE AND 10 MEGOHM DIGITAL VOLTMETER.
 CAUTION:
 THIS SCHEMATIC IS PROVIDED FOR USE BY QUALIFIED PERSONNEL. TO AVOID RISK OF ELECTRIC SHOCK, REFER SERVICING TO QUALIFIED SERVICE PERSONNEL. DO NOT PERFORM ANY SERVICING BEYOND THAT EXPLAINED IN THE OPERATING INSTRUCTIONS.

T.P. NO	SIGNAL	40URms	41URms
9	+3.6Vdc	40URms	41URms
10	-3.5Vdc	40URms	41URms
11	7.2mVdc	40URms	41URms
12	-11.52Vdc	-11.8Vdc	-11.8Vdc



BIAS ADJUSTMENT: WITH NO SIGNAL AND NO LOAD
 ADJUST RP101 TO OBTAIN AN AVERAGE OF 25 ± 5mV ACROSS R139, 140
 R146, 147, 152, 153, 158, 159, 164, 165.
 ADJUST RP201 TO OBTAIN AN AVERAGE OF 25 ± 5mV ACROSS R239, 240
 R246, 247, 252, 253, 258, 259, 264, 265.

SHEETS 7, 8 & 9 OF THIS DRAWING REPRESENT
 ASSY P/N 07-442-21

REV.	DATE:	DESCRIPTION	ECN/ECN NO.:	DESIGNED BY:	APP'D BY:	DATE:
4						

THIS INFORMATION CONTAINED ON THIS DRAWING IS PROPRIETARY TO ST. LOUIS ROSS, INC.

SIGNATURES:	DATE:
DESIGNED BY:	6-25-98
CHECKED BY:	
APP'D BY:	

11888 Bureau Dr.
 St. Louis, Missouri
 63116

FIRST USED ON: B-4R_BASS_AMP

DRAWING TITLE: POWER_AMP

DRAWING SIZE: D

DRAWING TYPE: SCHEMATIC

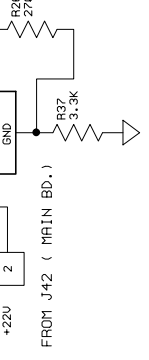
CLASS CODE:

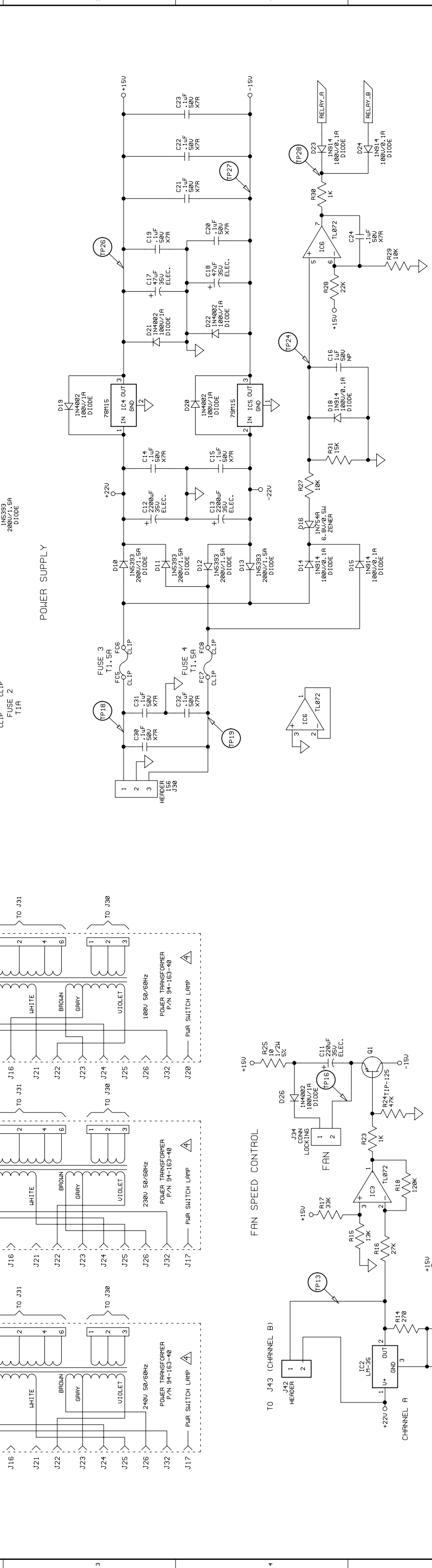
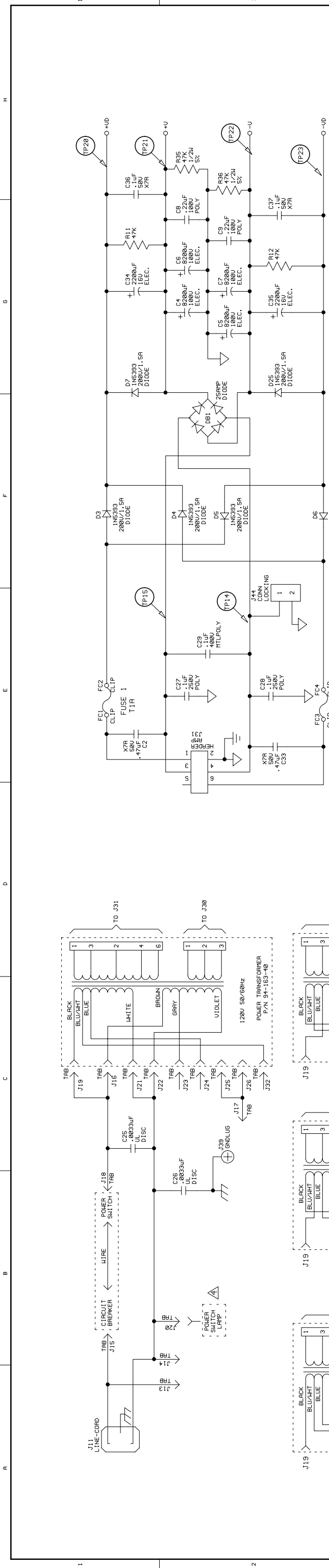
SCALE: NONE

SHEET: 8 OF 9

CAUTION:
 THIS SCHEMATIC IS PROVIDED FOR USE BY QUALIFIED PERSONNEL.
 TO AVOID RISK OF ELECTRICAL SHOCK, REFER SERVICING TO QUALIFIED
 SERVICE PERSONNEL. DO NOT PERFORM ANY SERVICING BEYOND
 THAT EXPLAINED IN THE OPERATING INSTRUCTIONS.

NOTES:
 1) THIS UNIT CONTAINS HAZARDOUS VOLTAGE. DISCONNECT POWER
 AND BE SURE POWER SUPPLY IS DISCHARGED BEFORE
 TOUCHING INTERNAL PARTS.
 2) UNLESS NOTED, RESISTOR VALUES IN OHMS, 1/4W-5% TOL.
 CAPACITOR VALUES IN MICROFARADS, 50V-10% TOL.
 3) VOLTAGES ARE MEASURED WITH 1 MEGOHM OSCILLOSCOPE
 AND 10 MEGOHM DIGITAL VOLTMETER.

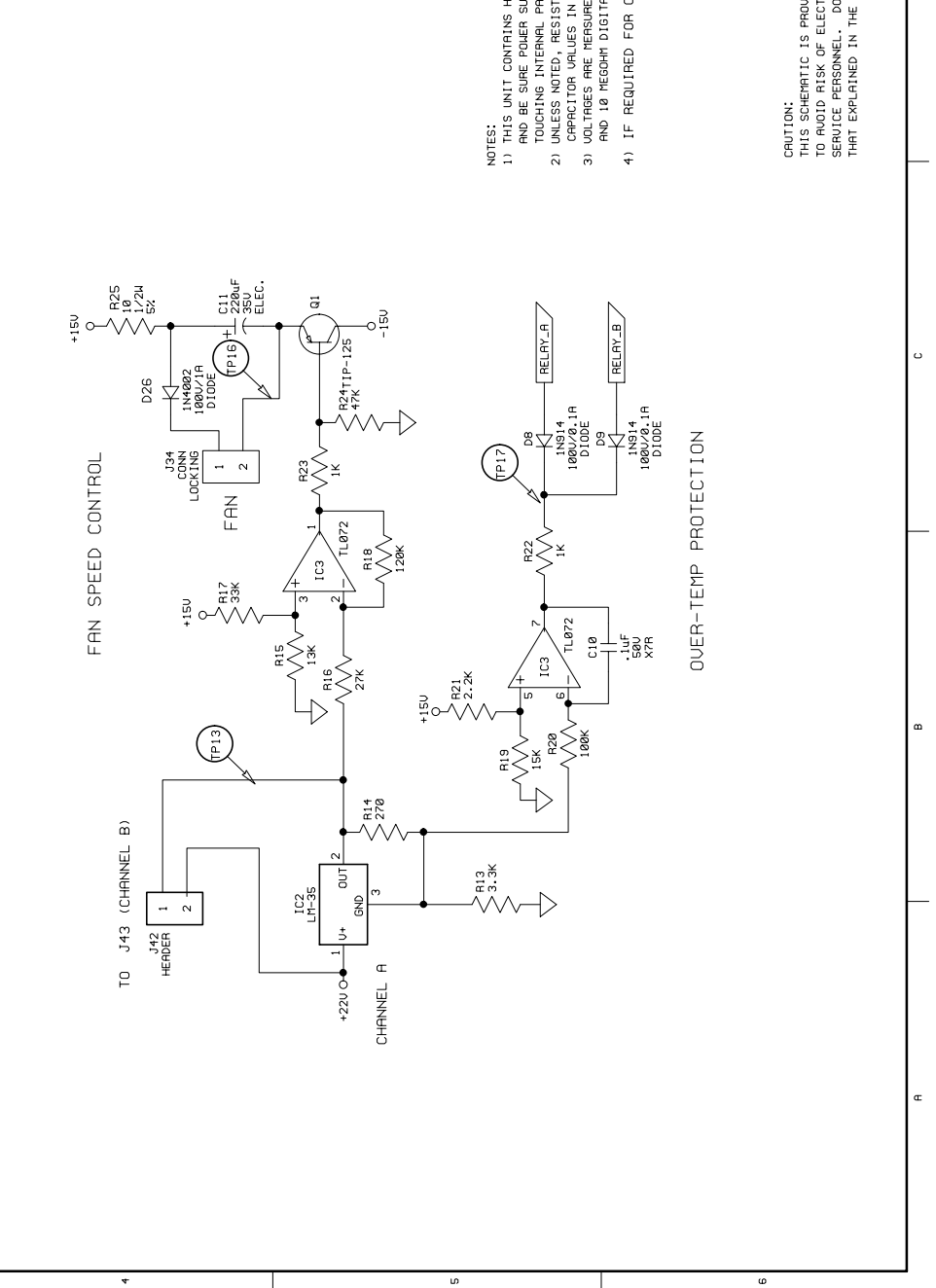
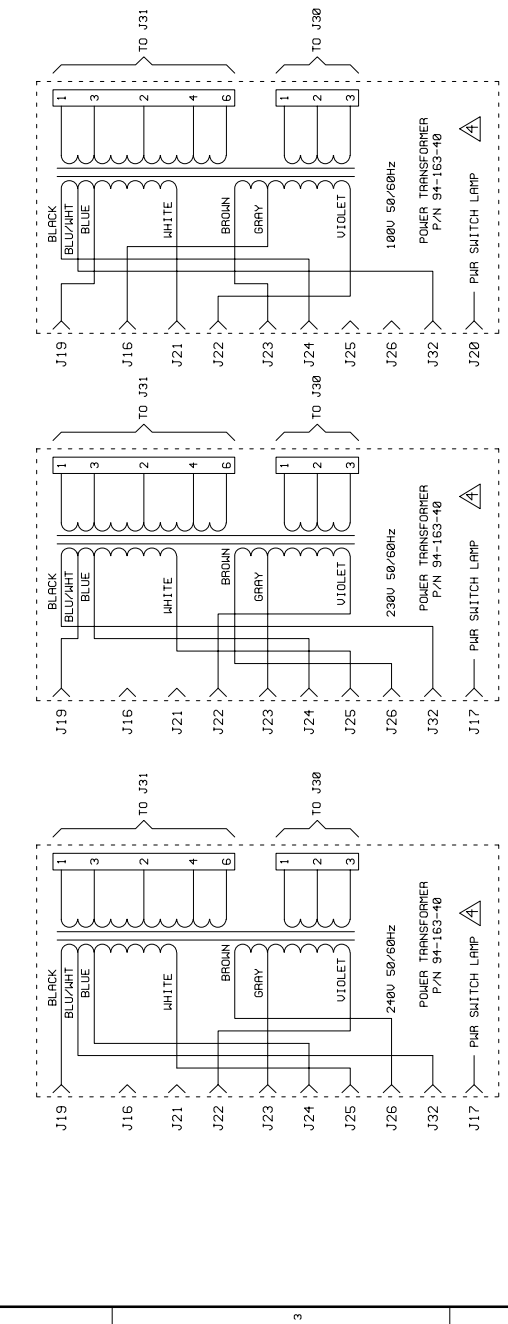
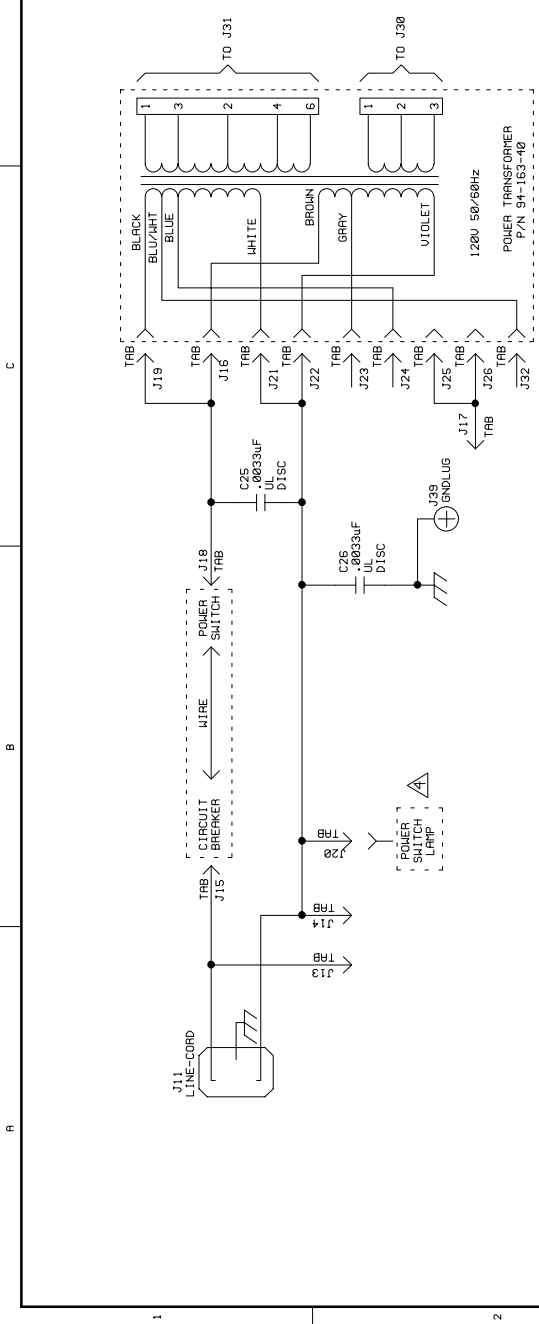




TP	NO SIGNAL	40Vrms OUT @ 8 OHMS	AS NOTED	INFORM
13	VARIES w/TEMP	VARIES w/TEMP.	Varies w/Temp.	
14	61uAc	51uAc	51uAc	~
15	61uAc	51uAc	51uAc	~
16	+1.4uDC	-4.6uDC	-4.6uDC	~
17	+14.4uDC	+14.4uDC	+14.4uDC	~
18	20uAc	19uAc	19uAc	~
19	20uAc	19uAc	19uAc	~
20	+71uDC	+64.5uDC	+64.5uDC	~
21	+63uDC	+59uDC	+59uDC	~
22	-63uDC	-59uDC	-59uDC	~
23	-71uDC	-64.5uDC	-64.5uDC	~
24	+60uDC	+5.73uDC	+5.73uDC	~
25	NOT USED			
26	+15uDC	+15uDC	+15uDC	~
27	-15uDC	-15uDC	-15uDC	~
28	+14.3uDC	+14.3uDC	+14.3uDC	~

NOTES:
 1) THIS UNIT CONTAINS HAZARDOUS VOLTAGE. DISCONNECT POWER AND BE SURE POWER SUPPLY IS DISCHARGED BEFORE TOUCHING INTERNAL PARTS.
 2) UNLESS NOTED, RESISTOR VALUES IN OHMS, 1/4W-5% TOL. CAPACITOR VALUES IN MICROFARADS, 50V-10% TOL.
 3) VOLTAGES ARE MEASURED WITH 1 MEGOHM OSCILLOSCOPE AND 10 MEGOHM DIGITAL VOLTMETER.
 4) IF REQUIRED FOR CHASSIS ASSY.

CAUTION:
 THIS SCHEMATIC IS PROVIDED FOR USE BY QUALIFIED PERSONNEL. TO AVOID RISK OF ELECTRIC SHOCK, REFER SERVICING TO QUALIFIED SERVICE PERSONNEL. DO NOT PERFORM ANY SERVICING BEYOND THAT EXPLAINED IN THE OPERATING INSTRUCTIONS.



SHEETS 7, 8 & 9 OF THIS DRAWING REPRESENT
 ASSY P/N 07-442-21

4	REV: 1	DATE: 6-25-98	DESCRIPTION: THIS INFORMATION CONTAINED ON THIS DRAWING IS PROPRIETARY TO ST. LOUIS MUSIC, INC.	CHK'D BY: [Signature]	DATE: 6-25-98
DRAWN: REIT		EGR/ECN NO: 1		APP'D BY: [Signature]	
SIGNATURES:		DATE: 6-25-98		FIRST USED ON: B-4R-BASS-AMP	
CHK'D:		DATE: 6-25-98		DRAWING TITLE: POWER-AMP	
R/S D:		DRAWING TYPE: SCHEMATIC		DRAWING NO.: 07S442-XX	
TOLERANCES:		DRAWING SIZE: D		CLASS CODE:	
SCALE: NONE		SHEET: 9 OF 9			