

BIAS ADJUSTMENT: WITH NO SIGNAL AND NO LOAD
 ADJUST AP101 TO OBTAIN AN AVERAGE OF 25 ± 5mV ACROSS R139, 140, 146, 147, 152, 153, 158, 159, 164, 165.
 ADJUST AP201 TO OBTAIN AN AVERAGE OF 25 ± 5mV ACROSS R239, 240, 246, 247, 252, 253, 258, 259, 264, 265.

T.P.	NO SIGNAL	40URMS OUT @ 8 OHMS	LIMITING @ 8 OHMS AS NOTED	WAVEFORM
1	0.68Urms	0.68Urms	0.79Urms	~
2	0.68Urms	0.68Urms	0.79Urms	~
3	+/-20mVdc	1.5U	1.5U	~
4	+/-1Udc	2.6Udc	2.6Udc	PS SHOWN PER COLUMN
5	+7mVdc	1.9mU	2.7mU	~
6	+5Vdc	+4.82Udc	+4.82Udc	~
7	-5Vdc	-5.12Udc	-5.12Udc	~
8	0V	+43.6mVdc	+74mVdc	~

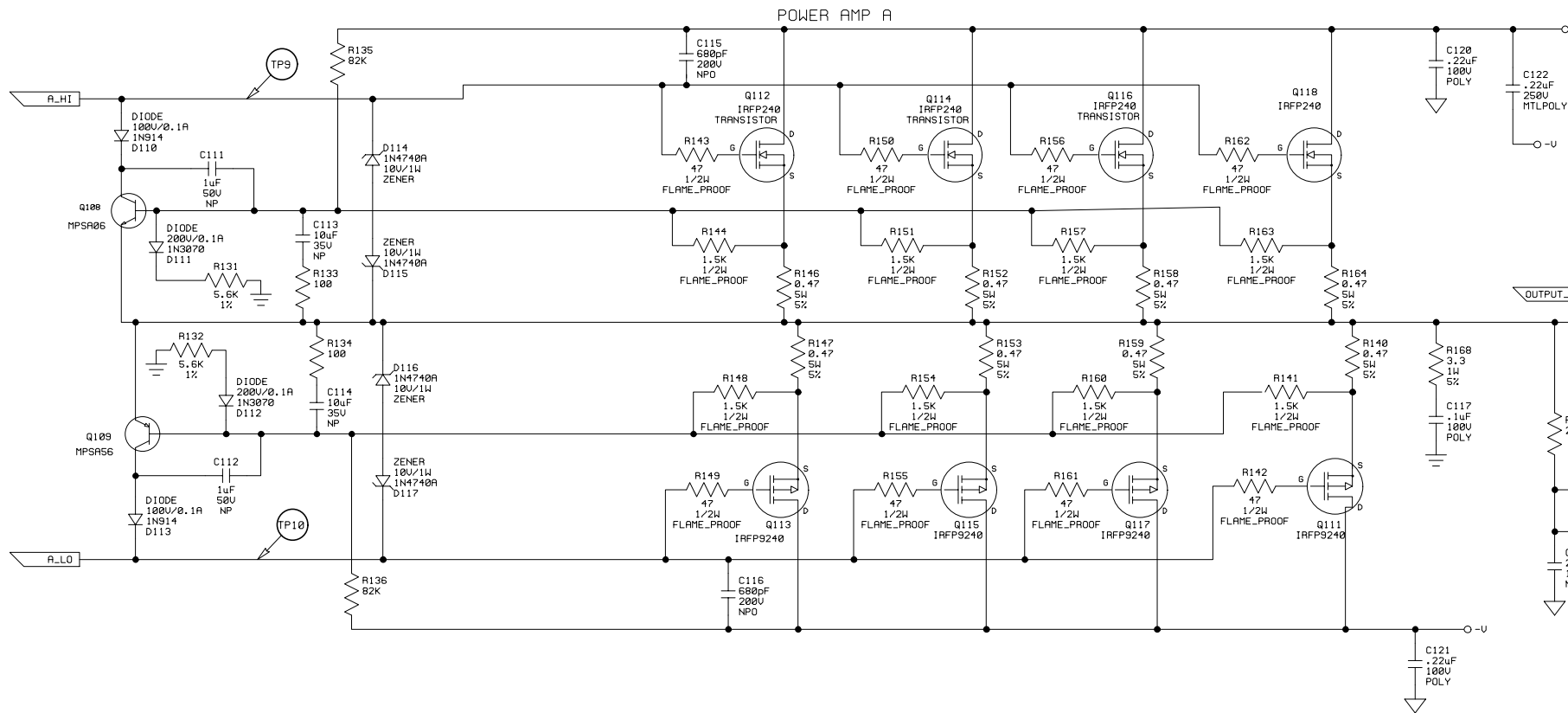
- NOTES:
- THIS UNIT CONTAINS HAZARDOUS VOLTAGE. DISCONNECT POWER AND BE SURE POWER SUPPLY IS DISCHARGED BEFORE TOUCHING INTERNAL PARTS.
 - UNLESS NOTED, RESISTOR VALUES IN OHMS, 1/4W-5% TOL. CAPACITOR VALUES IN MICROFARADS, 50V-10% TOL.
 - VOLTAGES ARE MEASURED WITH 1 MEGOHM OSCILLOSCOPE AND 10 MEGOHM DIGITAL VOLTMETER.

CAUTION:
 THIS SCHEMATIC IS PROVIDED FOR USE BY QUALIFIED PERSONNEL. TO AVOID RISK OF ELECTRIC SHOCK, REFER SERVICING TO QUALIFIED SERVICE PERSONNEL. DO NOT PERFORM ANY SERVICING BEYOND THAT EXPLAINED IN THE OPERATING INSTRUCTIONS.

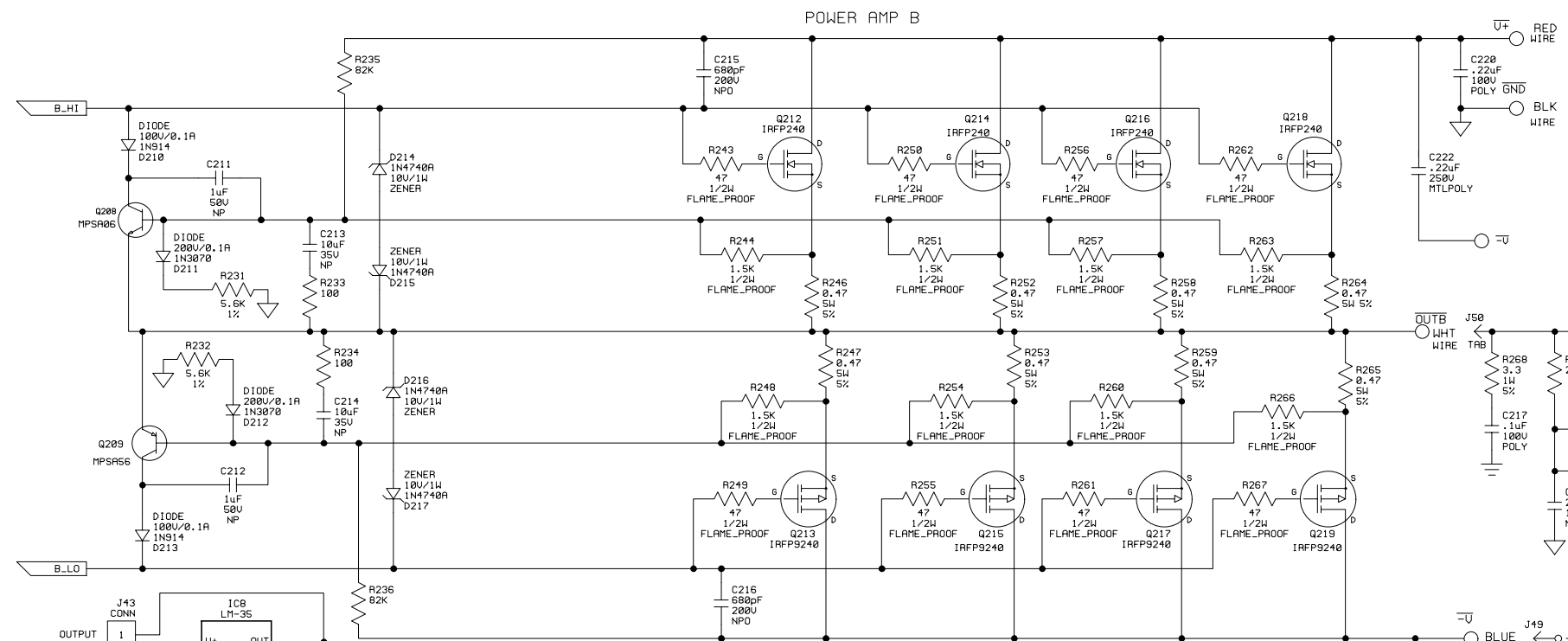
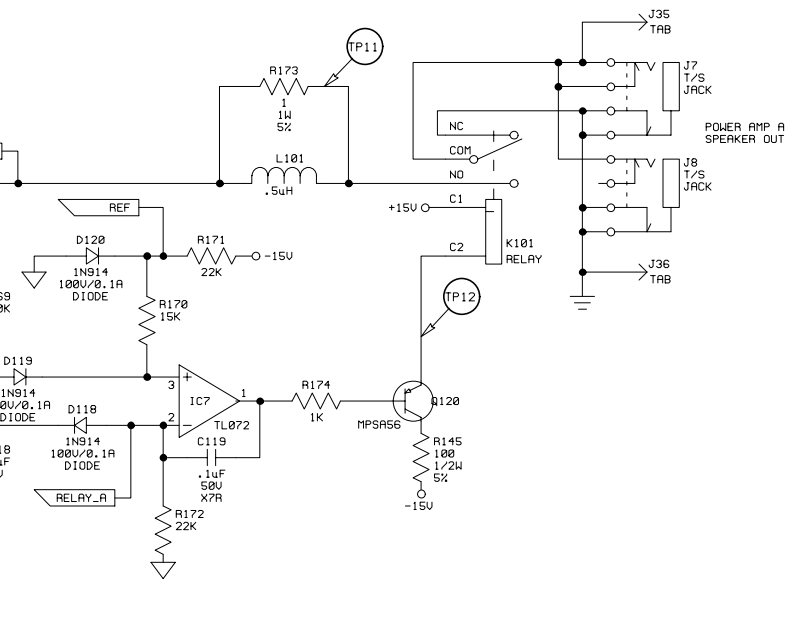
SHEETS 1, 2 & 3 OF THIS DRAWING REPRESENT ASSY P/N 07-442-03

REV:	DATE:	DESCRIPTION	ECR/ECH NO:	CHG'D BY:	APP'D BY:	DATE:
9	12/16/05	CHANGED R24 ON -21 FROM 47K TO 22K				
8	7/8/05	CHG D.1C4 FROM 7815 TO 7815 5,12,15 CHG D.1C5 FROM 7815 TO 7815 5,12,15				
7	5/20/05	R23 FROM 1K TO 1N914 -21 ASBY R23 FROM 1N914 TO 1K -12 ASBY				
6	2/23/05	CHANGED R23 TO 1N914				
5	3/2/04	ADDED SHEETS 10, THRU 15 TO CREATE DRAWING 12				
4	1/08/03	DRAWING CORRECTION, ADDED MISSING LINES R22U, R22V, SHEET 3				
3	5/30/01	ADDED SHITS 7, 8, 9 TO CREATE NEW VERSION, SUPP. P/N 07-442-21.				
2	9-28-00	REMOVED TWO WIRE SEGMENTS SCHEMATIC DOCUMENTATION ERROR				
1	11-30-99	CHANGED TO -03/-11 VERSIONS				
0		CONTROL ISSUE				

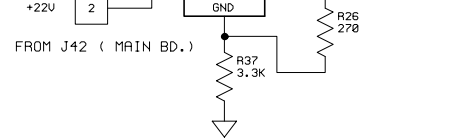
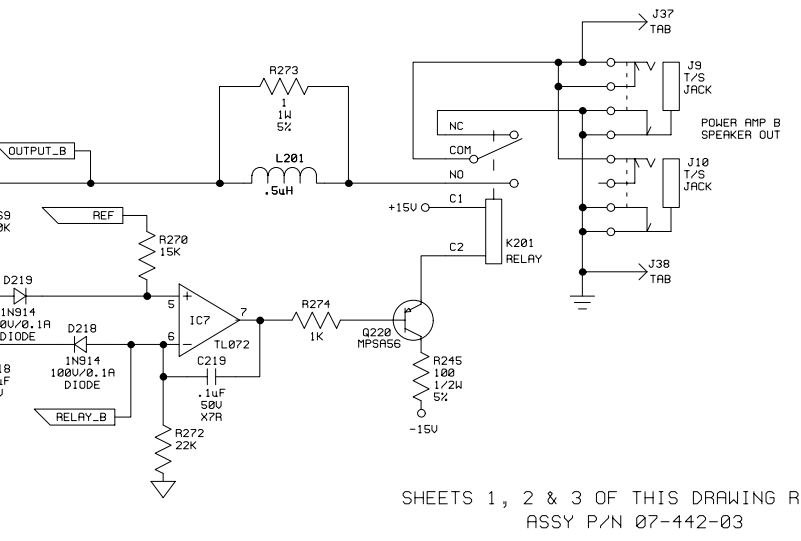
THIS INFORMATION CONTAINED ON THIS DRAWING IS PROPRIETARY TO ST. LOUIS PLASTIC, INC.						
SIGNATURES:	DATE:					
DRAWN: REM	6-25-98	11880 Borman Dr. St. Louis, Missouri 63146				
CHK'D:		FIRST USED ON:				
ALS'D:						
TOLERANCES:	DRAWING SIZE: D	DRAWING TITLE: POWER_AMP				
	DRAWING TYPE: SCHEMATIC	DRAWING NO.: 075442-XX				
	CLASS CODE:	SCALE: NONE SHEET: SH1 OF 15				



T.P.	NO SIGNAL	40Vrms OUT @ 8 OHMS	LIMITING @ 8 OHMS AS NOTED	WAVEFORM
9	+3.6Vdc	40Vrms	41Vrms	~
10	-3.5Vdc	40Vrms	41Vrms	~
11	7.2mVdc	40Vrms	41Vrms	~
12	-11.52Vdc	-11.8Vdc	-11.8Vdc	~



BIAS ADJUSTMENT: WITH NO SIGNAL AND NO LOAD
 ADJUST AP101 TO OBTAIN AN AVERAGE OF 25 ± 5mV ACROSS R139, 140, 146, 147, 152, 153, 158, 159, 164, 165.
 ADJUST AP201 TO OBTAIN AN AVERAGE OF 25 ± 5mV ACROSS R239, 240, 246, 247, 252, 253, 258, 259, 264, 265.

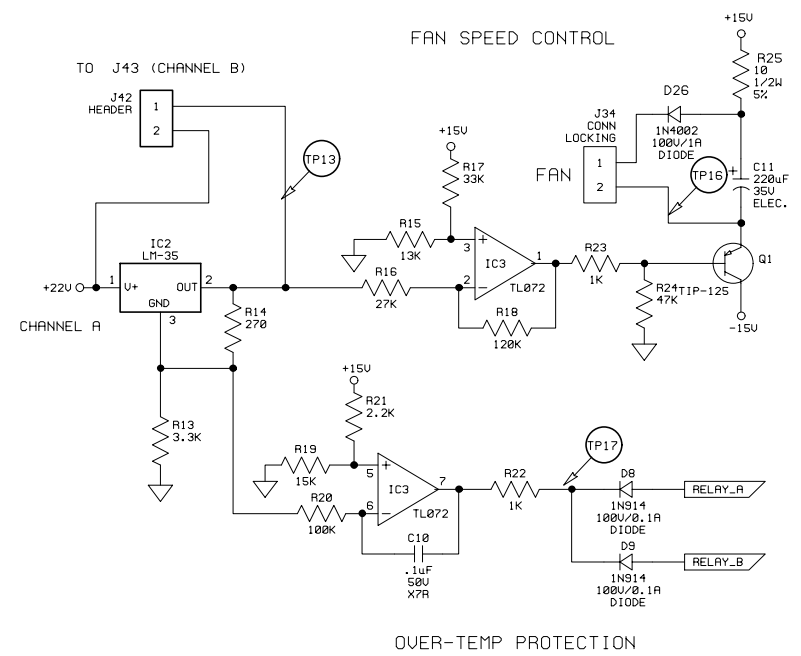
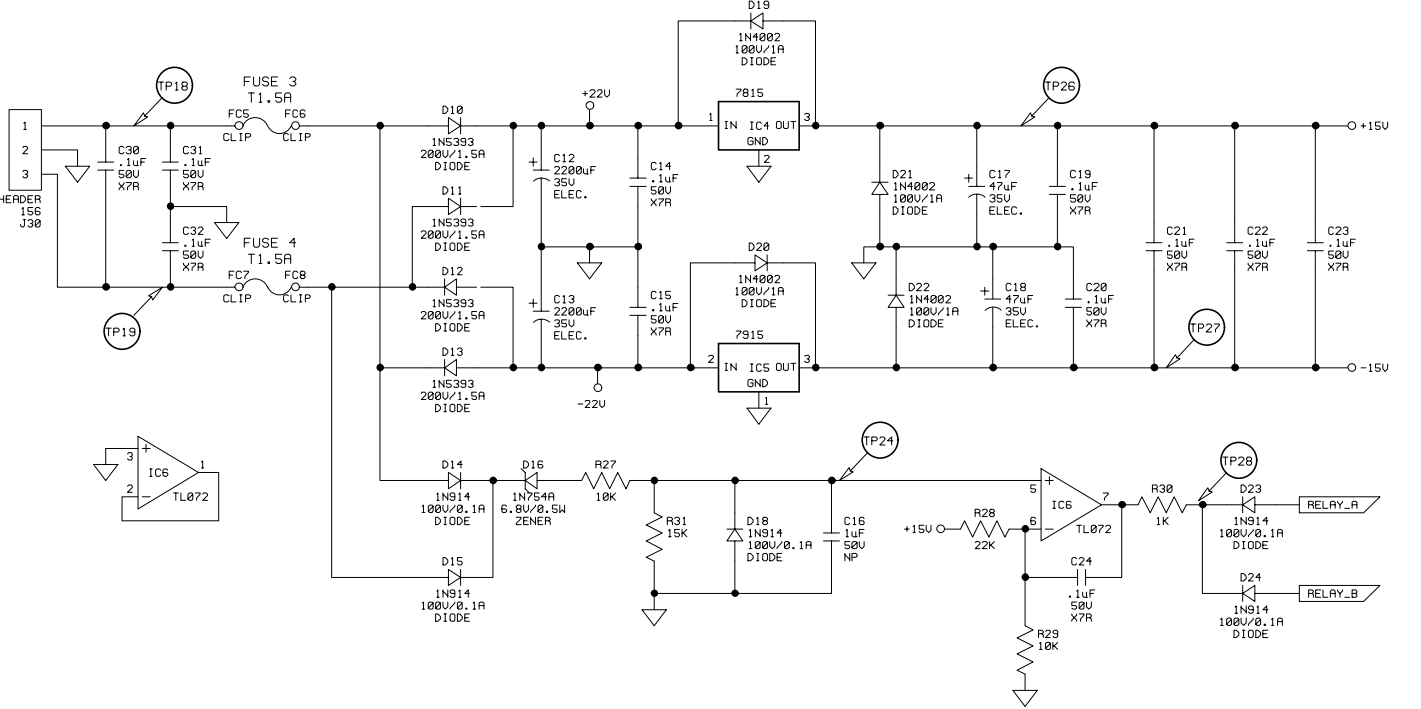
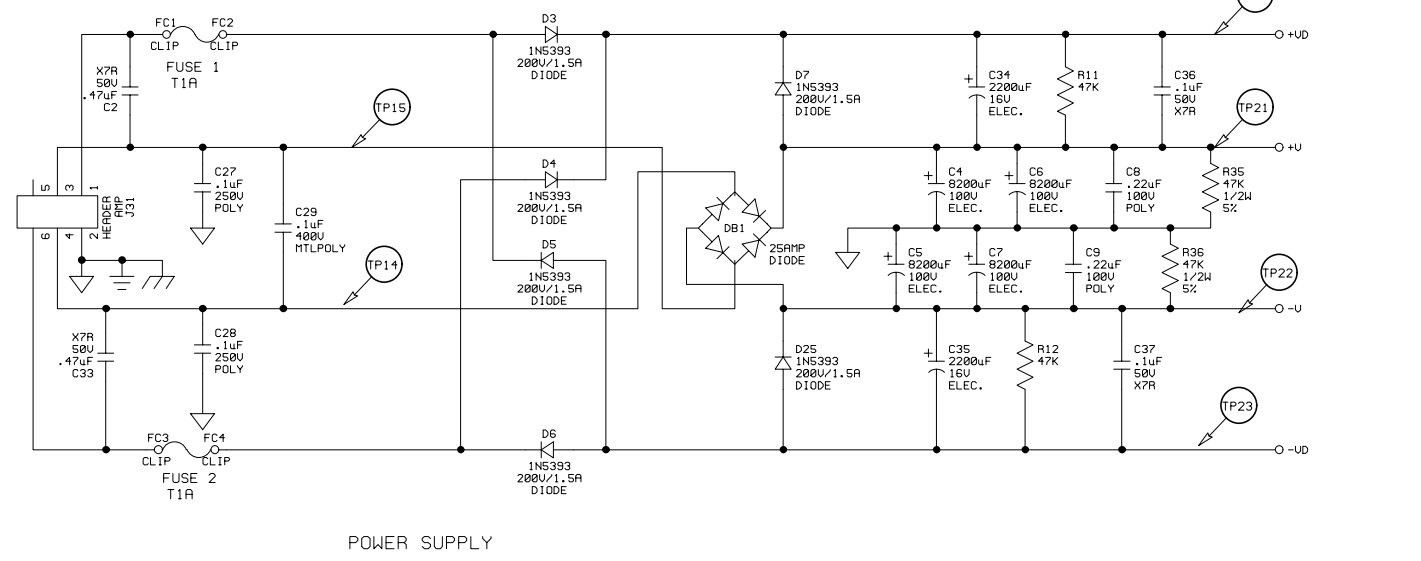
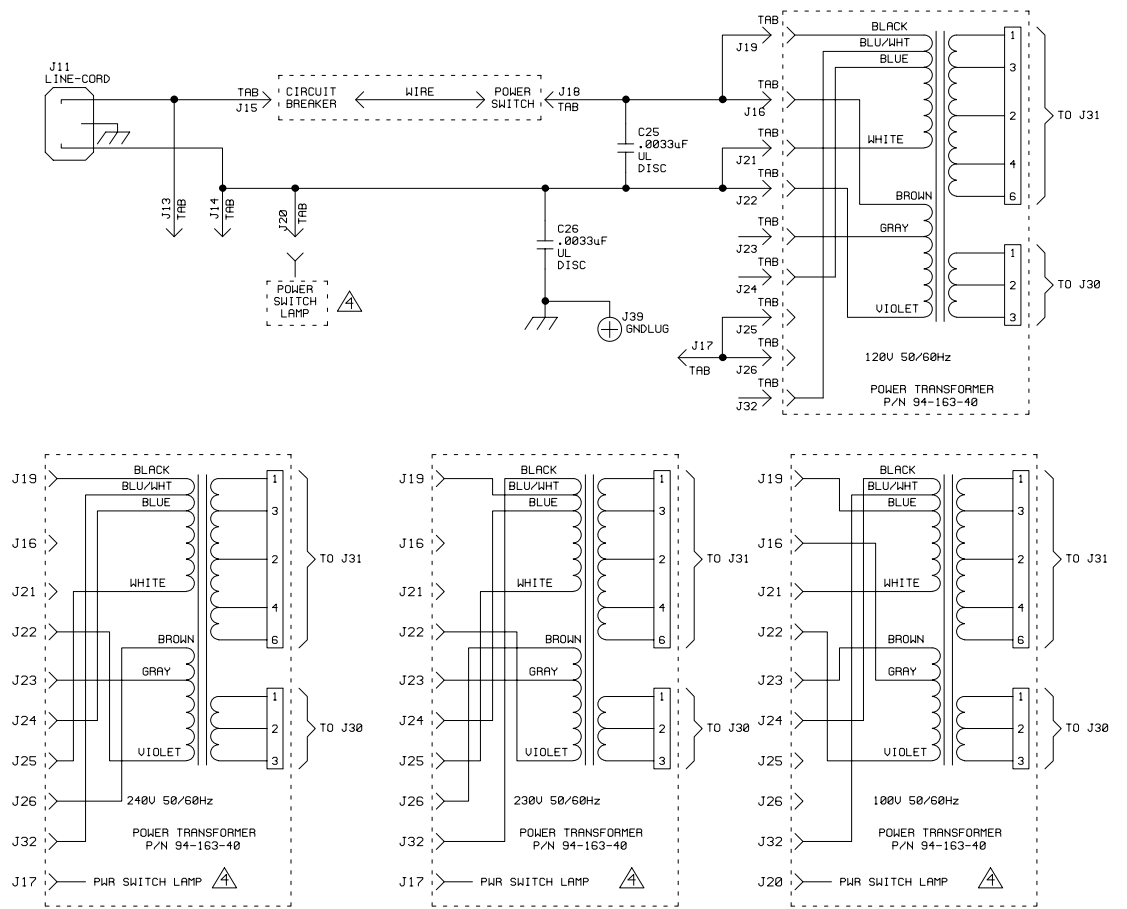


NOTES:
 1) THIS UNIT CONTAINS HAZARDOUS VOLTAGE. DISCONNECT POWER AND BE SURE POWER SUPPLY IS DISCHARGED BEFORE TOUCHING INTERNAL PARTS.
 2) UNLESS NOTED, RESISTOR VALUES IN OHMS, 1/4W-5% TOL. CAPACITOR VALUES IN MICROFARADS, 50V-10% TOL.
 3) VOLTAGES ARE MEASURED WITH 1 MEGOHM OSCILLOSCOPE AND 10 MEGOHM DIGITAL VOLTMETER.

CAUTION:
 THIS SCHEMATIC IS PROVIDED FOR USE BY QUALIFIED PERSONNEL. TO AVOID RISK OF ELECTRIC SHOCK, REFER SERVICING TO QUALIFIED SERVICE PERSONNEL. DO NOT PERFORM ANY SERVICING BEYOND THAT EXPLAINED IN THE OPERATING INSTRUCTIONS.

SHEETS 1, 2 & 3 OF THIS DRAWING REPRESENT ASSY P/N 07-442-03

REV.	DATE:	DESCRIPTION	ECR/ECN NO.:	CHG'D BY:	APP'D BY:	DATE:
THIS INFORMATION CONTAINED ON THIS DRAWING IS PROPRIETARY TO ST. LOUIS MUSIC, INC.						
SIGNATURES:		DATE:		11880 Borman Dr. St. Louis, Missouri 63146		
DRAWN: REM		6-25-98		FIRST USED ON:		
CHK'D:						
R/S'D:						
TOLERANCES:		DRAWING SIZE: D		DRAWING TITLE: POWER_AMP		
		DRAWING TYPE: - SCHEMATIC		DRAWING NO.:		
		CLASS CODE:		DRAWING NO.:		
		SCALE: NONE		SHEET: SHT 2 OF 15		
				075442-XX		



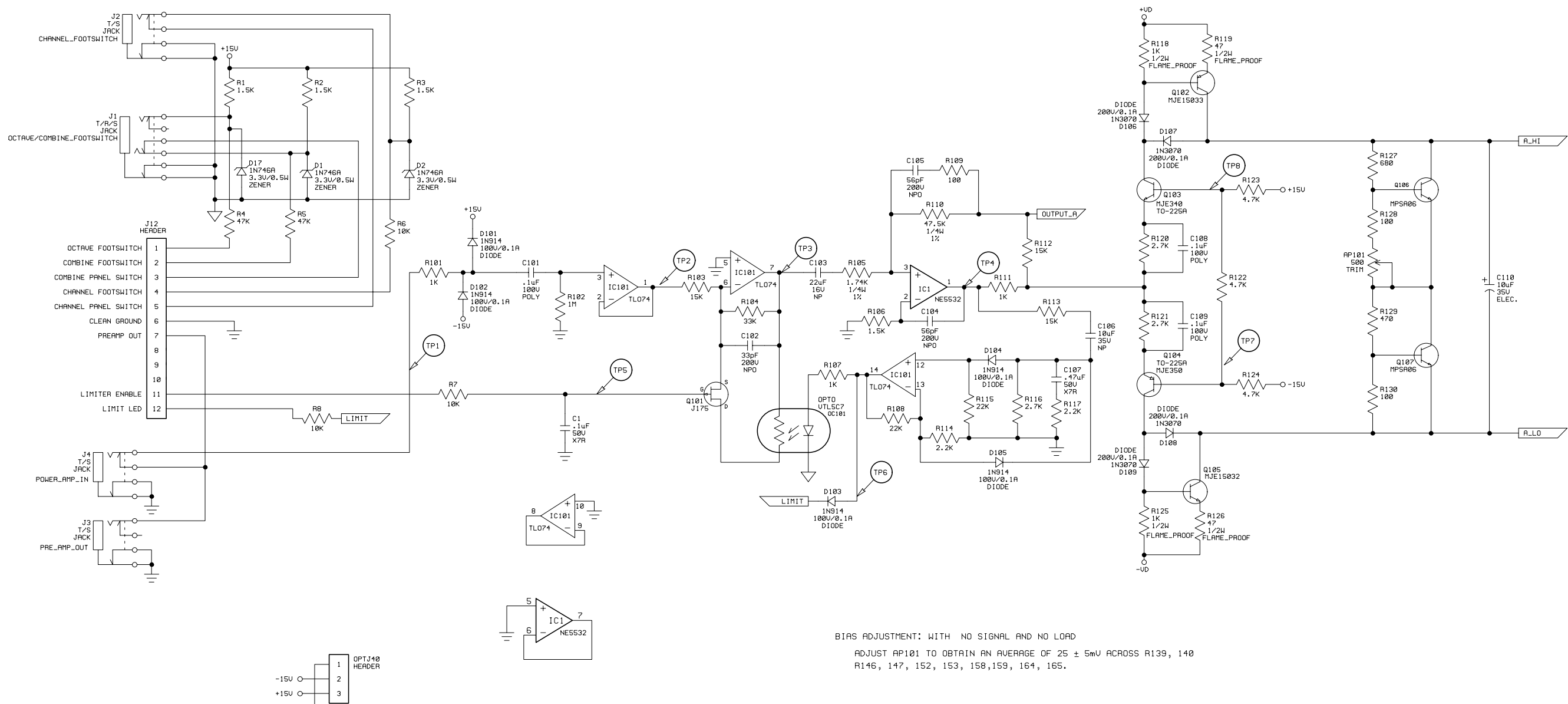
NOTES:
 1) THIS UNIT CONTAINS HAZARDOUS VOLTAGE. DISCONNECT POWER AND BE SURE POWER SUPPLY IS DISCHARGED BEFORE TOUCHING INTERNAL PARTS.
 2) UNLESS NOTED, RESISTOR VALUES IN OHMS, 1/4W-5% TOL. CAPACITOR VALUES IN MICROFARADS, 50V-10% TOL.
 3) VOLTAGES ARE MEASURED WITH 1 MEGOHM OSCILLOSCOPE AND 10 MEGOHM DIGITAL VOLTMETER.
 4) IF REQUIRED FOR CHASSIS ASSY.

CAUTION:
 THIS SCHEMATIC IS PROVIDED FOR USE BY QUALIFIED PERSONNEL. TO AVOID RISK OF ELECTRIC SHOCK, REFER SERVICING TO QUALIFIED SERVICE PERSONNEL. DO NOT PERFORM ANY SERVICING BEYOND THAT EXPLAINED IN THE OPERATING INSTRUCTIONS.

TP	NO SIGNAL	40VRMS OUT @ 8 OHMS LIMITING @ 8 OHMS AS NOTED	WAVEFORM
13	VARIES w/TEMP	Varies w/TEMP.	Varies w/TEMP.
14	61Vac	51Vac	51Vac
15	61Vac	51Vac	51Vac
16	+14Vdc	-4.6Vdc	-4.6Vdc
17	+14.4Vdc	+14.4Vdc	+14.4Vdc
18	20Vac	19Vac	19Vac
19	20Vac	19Vac	19Vac
20	+71Vdc	+64.5Vdc	+64.5Vdc
21	+63Vdc	+59Vdc	+59Vdc
22	-63Vdc	-59Vdc	-59Vdc
23	-71Vdc	-64.5Vdc	-64.5Vdc
24	+6Vdc	+5.73Vdc	+5.73Vdc
25	NOT USED		
26	+15Vdc	+15Vdc	+15Vdc
27	-15Vdc	-15Vdc	-15Vdc
28	+14.3Vdc	+14.3Vdc	+14.3Vdc

SHEETS 1, 2 & 3 OF THIS DRAWING REPRESENT ASSY P/N 07-442-03

REV: 7/8/05	DATE: SEE SHEET 1	DESCRIPTION: N01867	ECR/ECN NO: CHG'D BY: APP'D BY: DATE:
THIS INFORMATION CONTAINED ON THIS DRAWING IS PROPRIETARY TO ST. LOUIS MUSIC, INC.			
SIGNATURES:	DATE:	11880 Borman Dr. St. Louis, Missouri 63146	
DRAWN: REM	6-25-98	FIRST USED ON:	
CHK'D:			
ALS'D:			
TOLERANCES:	DRAWING SIZE: D	DRAWING TITLE: POWER_LAMP	
	DRAWING TYPE: SCHEMATIC	DRAWING NO.: 075442-XX	
	CLASS CODE:	SCALE: NONE SHEET: SHT 3 OF 15	



BIAS ADJUSTMENT: WITH NO SIGNAL AND NO LOAD
 ADJUST AP101 TO OBTAIN AN AVERAGE OF 25 ± 5mV ACROSS R139, 140
 R146, 147, 152, 153, 158, 159, 164, 165.

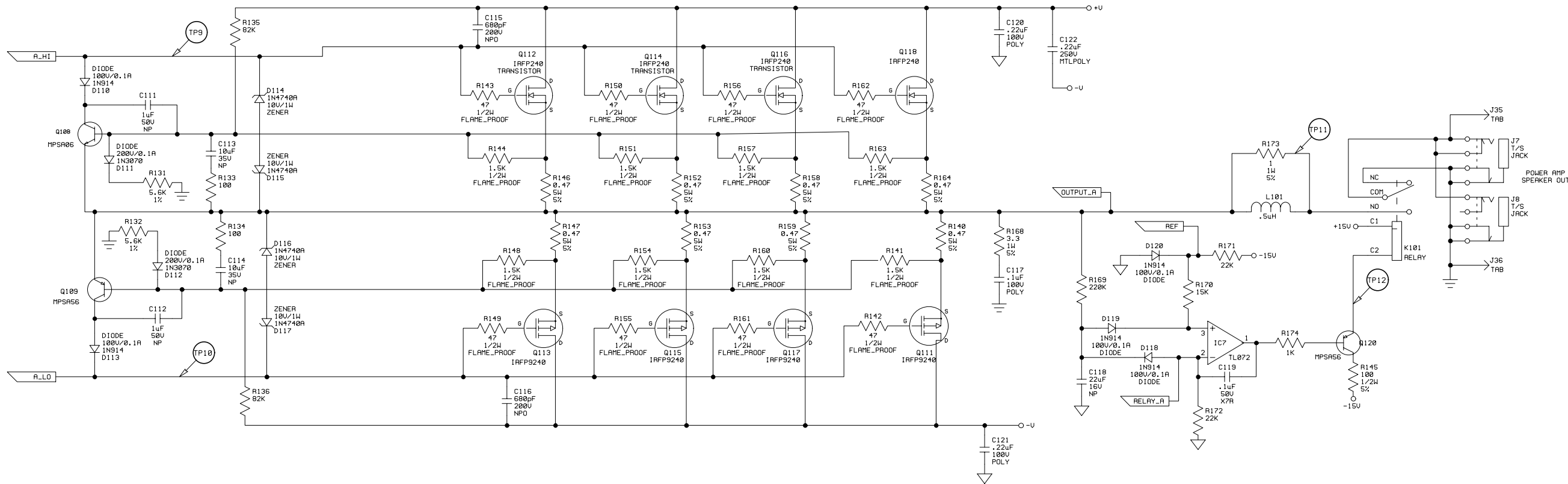
T.P.	NO SIGNAL	40Vrms OUT @ 8 OHMS	LIMITING @ 8 OHMS	AS NOTED	WAVEFORM
* 1	—	0.68Vrms	0.79Vrms	—	~
* 2	—	0.68Vrms	0.79Vrms	—	~
3	+/-20mVdc	1.5V	1.5V	—	~
4	+/-1Vdc	2.6Vdc	2.6Vdc	—	AS SHOWN PER COLUMN
5	+7mVdc	1.9mV	2.7mV	—	—
6	+5Vdc	+4.82Vdc	+4.82Vdc	—	—
7	-5Vdc	-5.12Vdc	-5.12Vdc	—	—
8	0V	+43.6mVdc	+74mVdc	—	~

- NOTES:
- 1) THIS UNIT CONTAINS HAZARDOUS VOLTAGE. DISCONNECT POWER AND BE SURE POWER SUPPLY IS DISCHARGED BEFORE TOUCHING INTERNAL PARTS.
 - 2) UNLESS NOTED, RESISTOR VALUES IN OHMS, 1/4W-5% TOL. CAPACITOR VALUES IN MICROFARADS, 50V-10% TOL.
 - 3) VOLTAGES ARE MEASURED WITH 1 MEGOHM OSCILLOSCOPE AND 10 MEGOHM DIGITAL VOLTMETER.

CAUTION:
 THIS SCHEMATIC IS PROVIDED FOR USE BY QUALIFIED PERSONNEL. TO AVOID RISK OF ELECTRIC SHOCK, REFER SERVICING TO QUALIFIED SERVICE PERSONNEL. DO NOT PERFORM ANY SERVICING BEYOND THAT EXPLAINED IN THE OPERATING INSTRUCTIONS.

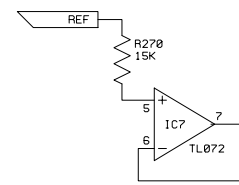
SHEETS 4, 5 & 6 OF THIS DRAWING REPRESENTS
 ASSY P/N 07-442-11

REV	DATE	DESCRIPTION	ECR/ECN NO.	CHG'D BY	APP'D BY	DATE
THIS INFORMATION CONTAINED ON THIS DRAWING IS PROPRIETARY TO ST. LOUIS MUSIC, INC.						
SIGNATURES:		DATE:	11888 Borman Dr. St. Louis, Missouri 1 63146			
DRAWN:	REM	6-25-98	FIRST USED ON:			
CHK'D:			-			
DES'G:			-			
TOLERANCES:	DRAWING SIZE: D SCHEMATIC	DRAWING TITLE: POWER_AMP				
	DRAWING TYPE: -	DRAWING NO.:				
	CLASS CODE:	07S442-XX				
	SCALE: NONE	SHEET: SHT 4 OF 15				



BIAS ADJUSTMENT: WITH NO SIGNAL AND NO LOAD
 ADJUST AP101 TO OBTAIN AN AVERAGE OF $25 \pm 5\text{mV}$ ACROSS R139, 140
 R146, 147, 152, 153, 158, 159, 164, 165.

T.P.	NO SIGNAL	40VRMS OUT @ 8 OHMS	LIMITING @ 8 OHMS AS NOTED	WAVEFORM
9	+3.6Vdc	40Vrms	41Vrms	~
10	-3.5Vdc	40Vrms	41Vrms	~
11	7.2mVdc	40Vrms	41Vrms	~
12	-11.52Vdc	-11.8Vdc	-11.8Vdc	—



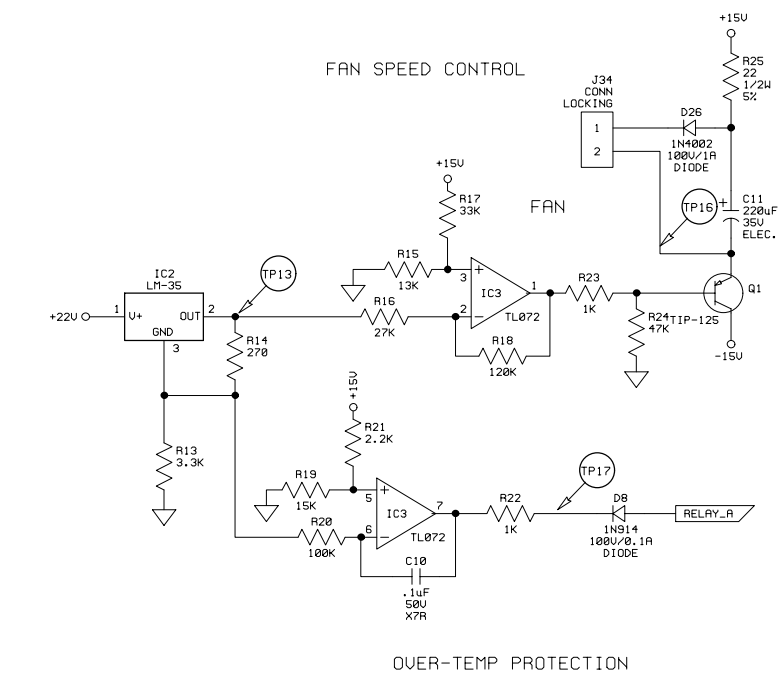
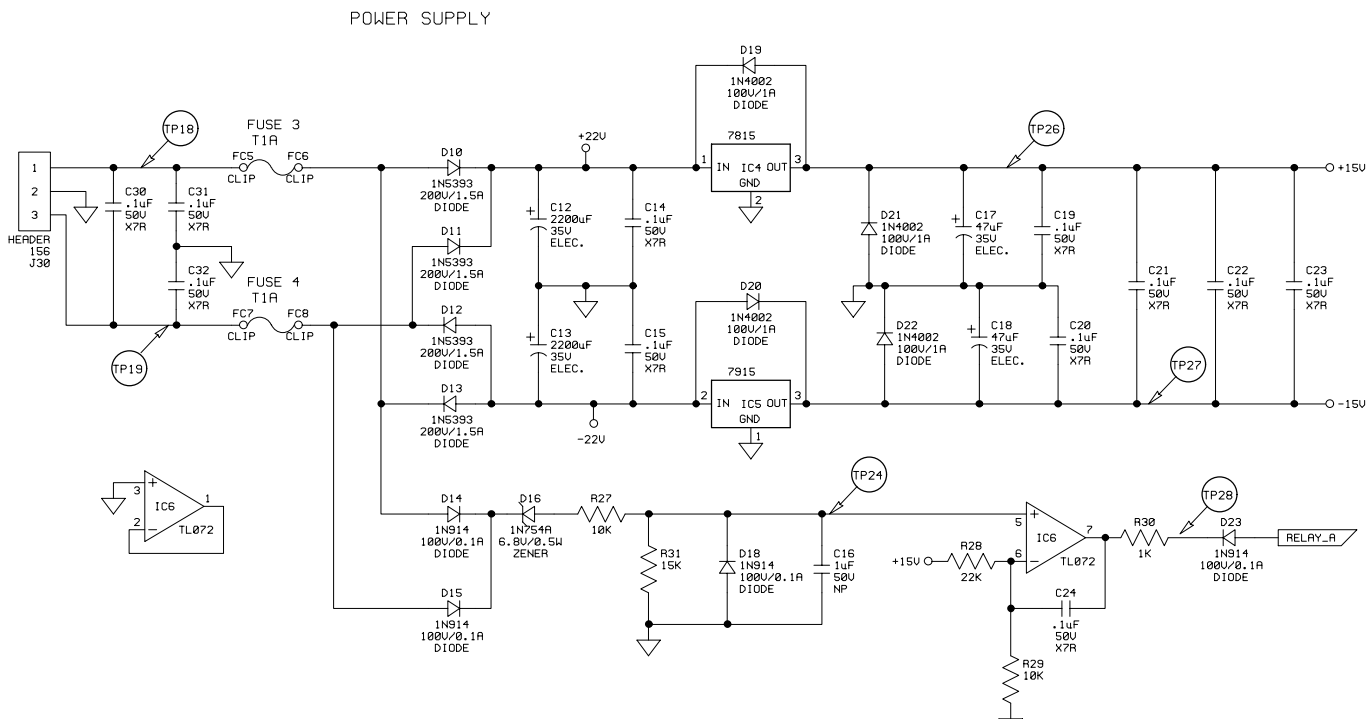
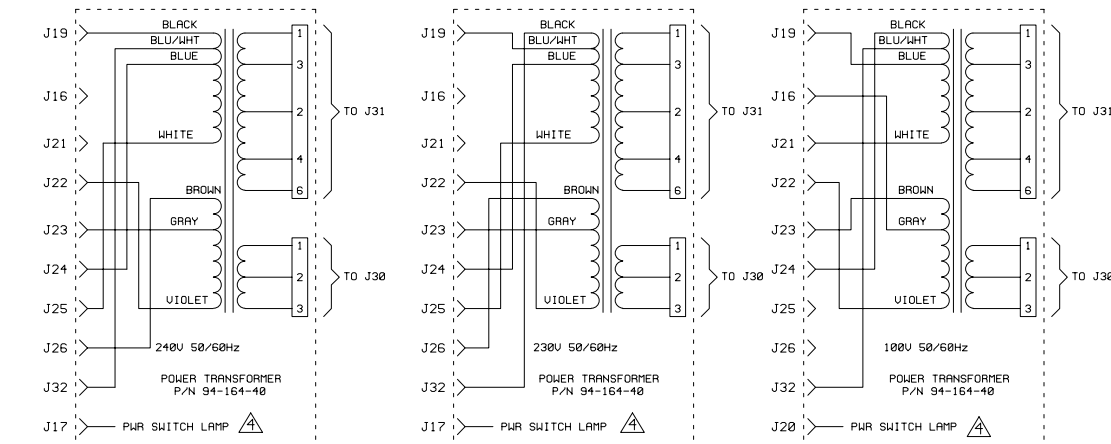
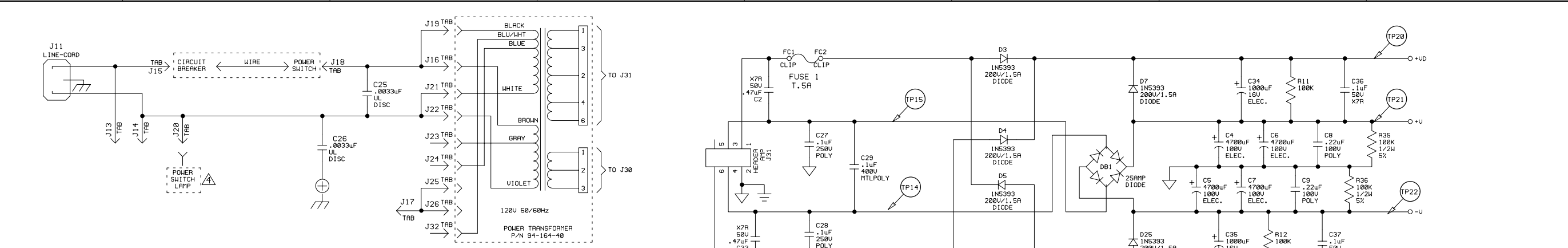
- NOTES:
- 1) THIS UNIT CONTAINS HAZARDOUS VOLTAGE. DISCONNECT POWER AND BE SURE POWER SUPPLY IS DISCHARGED BEFORE TOUCHING INTERNAL PARTS.
 - 2) UNLESS NOTED, RESISTOR VALUES IN OHMS, 1/4W-5% TOL. CAPACITOR VALUES IN MICROFARADS, 50W-10% TOL.
 - 3) VOLTAGES ARE MEASURED WITH 1 MEGOHM OSCILLOSCOPE AND 10 MEGOHM DIGITAL VOLTMETER.

CAUTION:
 THIS SCHEMATIC IS PROVIDED FOR USE BY QUALIFIED PERSONNEL.
 TO AVOID RISK OF ELECTRIC SHOCK, REFER SERVICING TO QUALIFIED SERVICE PERSONNEL. DO NOT PERFORM ANY SERVICING BEYOND THAT EXPLAINED IN THE OPERATING INSTRUCTIONS.

SHEETS 4, 5 & 6 OF THIS DRAWING REPRESENTS
 ASSY P/N 07-442-11

REV:	DATE:	DESCRIPTION:	ECR/ECN NO:	CHG'D BY:	APP'D BY:	DATE:
THIS INFORMATION CONTAINED ON THIS DRAWING IS PROPRIETARY TO ST. LOUIS MUSIC, INC.						
SIGNATURES:		DATE:	11880 Bowman Dr. St. Louis, Missouri 63146			
DRAWN: REM		6-25-98				
CHK'D:		FIRST USED ON:				
RLS'D:						
TOLERANCES:	DRAWING SIZE: D	DRAWING TITLE:		POWER_AMP		
	DRAWING TYPE: - SCHEMATIC	DRAWING NO.:		07S442-XX		
	CLASS CODE:	SCALE: NONE		SHEET: 5 OF 15		

A B C D E F G H



- NOTES:
- 1) THIS UNIT CONTAINS HAZARDOUS VOLTAGE. DISCONNECT POWER AND BE SURE POWER SUPPLY IS DISCHARGED BEFORE TOUCHING INTERNAL PARTS.
 - 2) UNLESS NOTED, RESISTOR VALUES IN OHMS, 1/4W-5% TOL. CAPACITOR VALUES IN MICROFARADS, 50V-10% TOL.
 - 3) VOLTAGES ARE MEASURED WITH 1 MEGOHM OSCILLOSCOPE AND 10 MEGOHM DIGITAL VOLTMETER.
 - 4) IF REQUIRED FOR CHASSIS ASSY.

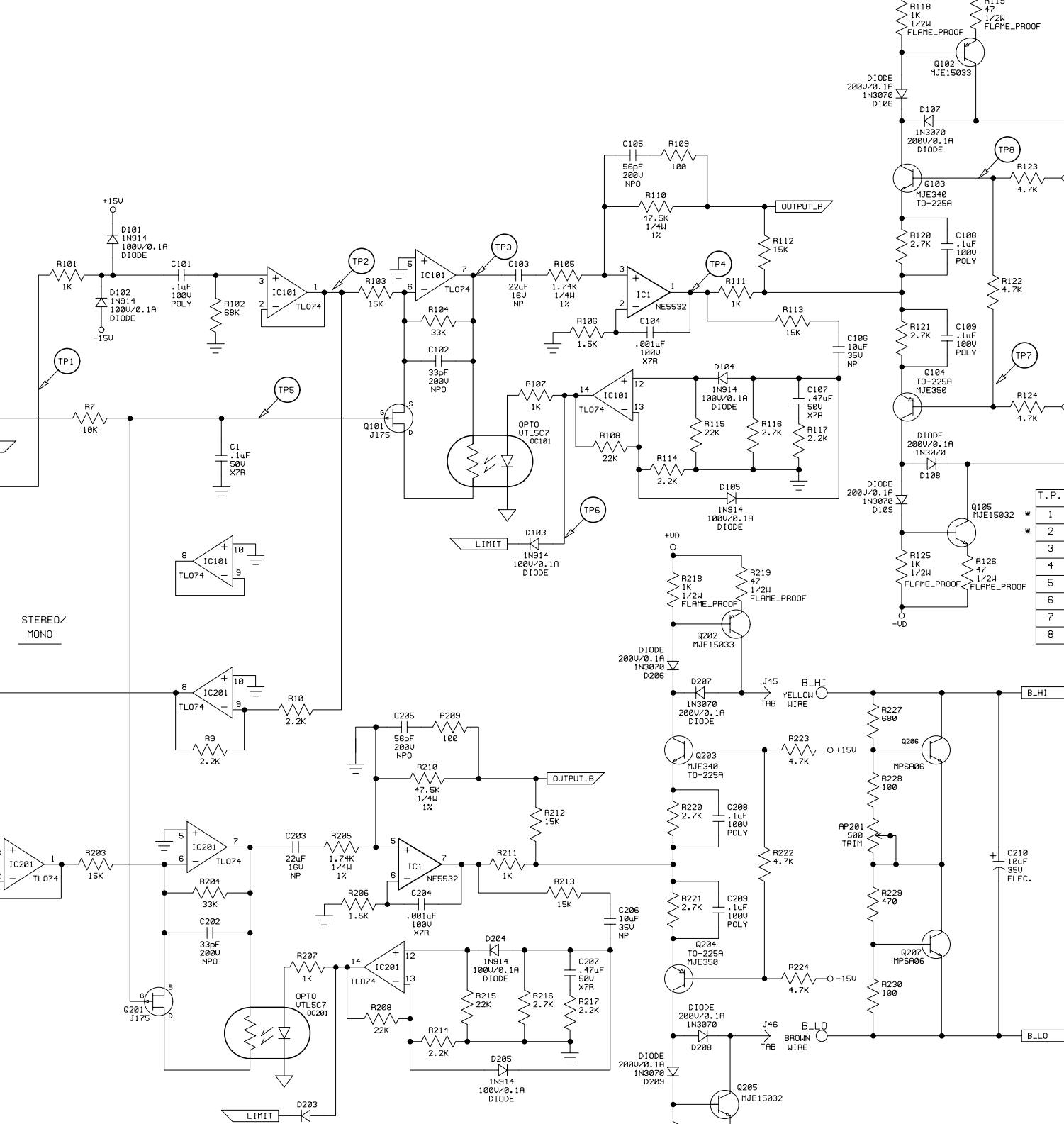
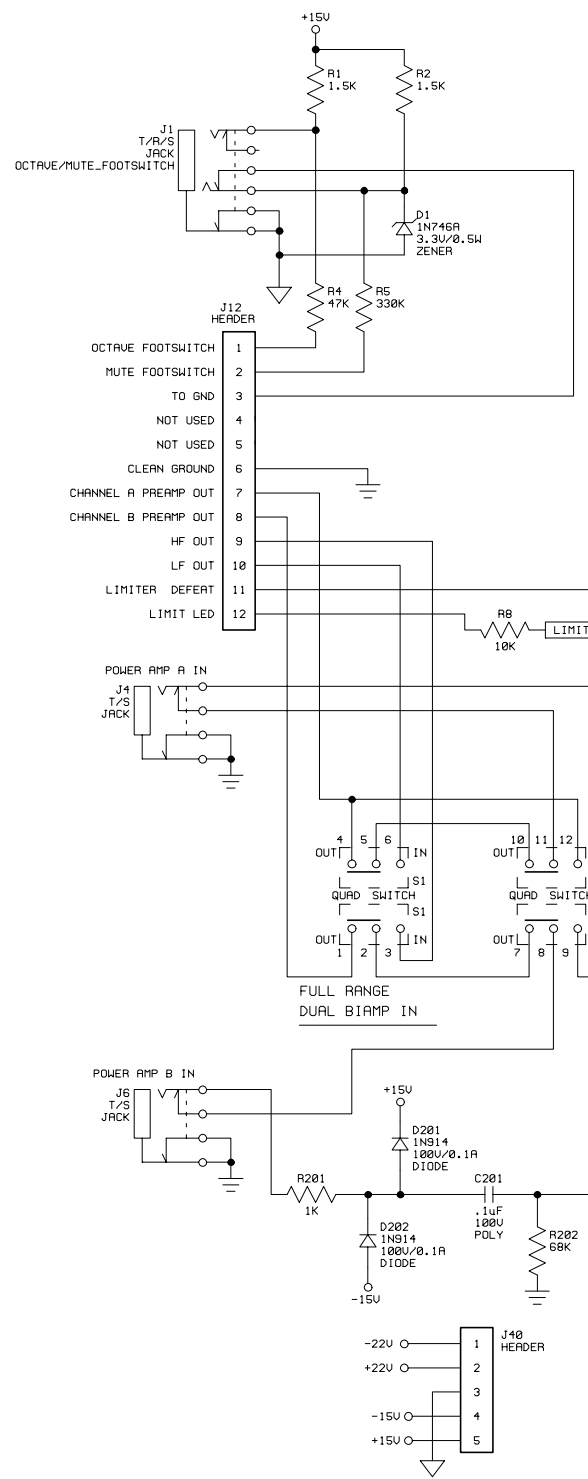
CAUTION:
THIS SCHEMATIC IS PROVIDED FOR USE BY QUALIFIED PERSONNEL. TO AVOID RISK OF ELECTRIC SHOCK, REFER SERVICING TO QUALIFIED SERVICE PERSONNEL. DO NOT PERFORM ANY SERVICING BEYOND THAT EXPLAINED IN THE OPERATING INSTRUCTIONS.

TP	NO SIGNAL	40V RMS OUT @ 8 OHMS	SLIMITING @ 8 OHMS	AS NOTED	WAVEFORM
13	VARIES w/TEMP	Varies w/temp.	Varies w/temp.		—
14	61V ac	51V ac	51V ac		~
15	61V ac	51V ac	51V ac		~
16	+14V dc	-4.6V dc	-4.6V dc		—
17	+14.4V dc	+14.4V dc	+14.4V dc		—
18	20V ac	19V ac	19V ac		~
19	20V ac	19V ac	19V ac		~
20	+71V dc	+64.5V dc	+64.5V dc		^^
21	+63V dc	+59V dc	+59V dc		^^
22	-63V dc	-59V dc	-59V dc		^^
23	-71V dc	-64.5V dc	-64.5V dc		^^
24	+6V dc	+5.73V dc	+5.73V dc		—
25	NOT USED				—
26	+15V dc	+15V dc	+15V dc		—
27	-15V dc	-15V dc	-15V dc		—
28	+14.3V dc	+14.3V dc	+14.3V dc		—

SHEETS 4, 5 & 6 OF THIS DRAWING REPRESENTS ASSY P/N 07-442-11

REV:	DATE:	DESCRIPTION:	ECR/ECN NO.:	CHG'D BY:	APP'D BY:	DATE:
THIS INFORMATION CONTAINED ON THIS DRAWING IS PROPRIETARY TO ST. LOUIS MUSIC, INC.						
SIGNATURES:		DATE:		11880 Borman Dr. St. Louis, Missouri 63146		
DRAWN: REM		6-25-98		FIRST USED ON: —		
CHK'D:				R/S'D:		
TOLERANCES:		DRAWING SIZE: D		DRAWING TITLE: POWER_LAMP		
		DRAWING TYPE: - SCHEMATIC		DRAWING NO.: 07S442-XX		
		CLASS CODE:		SCALE: NONE SHEET: SHT 6 OF 15		

A B C D E F G H



BIAS ADJUSTMENT: WITH NO SIGNAL AND NO LOAD
 ADJUST AP101 TO OBTAIN AN AVERAGE OF 25 ± 5mV ACROSS R139, 140, R146, 147, 152, 153, 158, 159, 164, 165.
 ADJUST AP201 TO OBTAIN AN AVERAGE OF 25 ± 5mV ACROSS R239, 240, R246, 247, 252, 253, 258, 259, 264, 265.

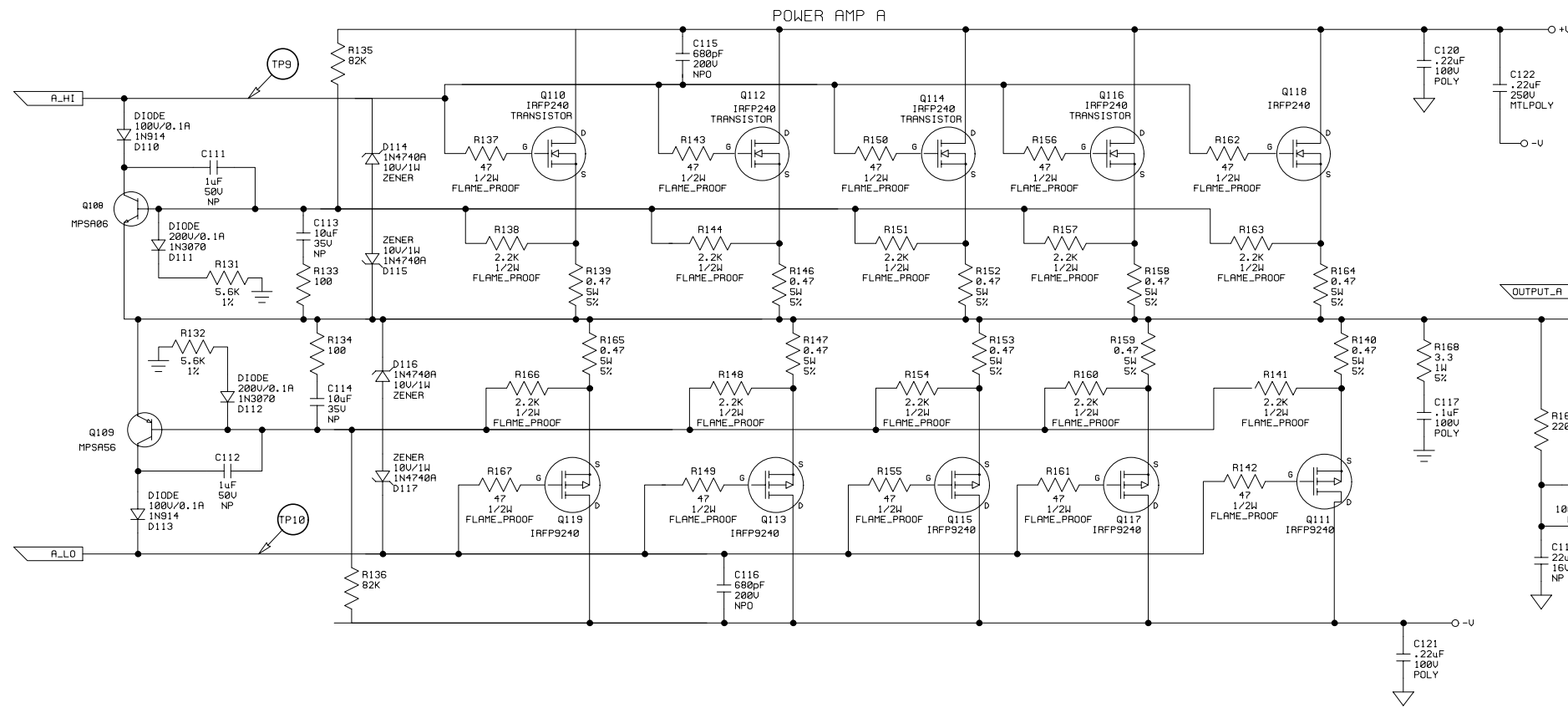
T.P.	NO SIGNAL	40Vrms OUT @ 8 OHMS	LIMITING @ 8 OHMS AS NOTED	WAVEFORM
1		0.68Vrms	0.79Vrms	~
2		0.68Vrms	0.79Vrms	~
3	+/-20mVdc	1.5V	1.5V	~
4	+/-1Vdc	2.6Vdc	2.6Vdc	AS SHOWN PER COLUMN
5	+7mVdc	1.9mV	2.7mV	~
6	+5Vdc	+4.82Vdc	+4.82Vdc	~
7	-5Vdc	-5.12Vdc	-5.12Vdc	~
8	0V	+43.6mVdc	+74mVdc	~

- NOTES:
- THIS UNIT CONTAINS HAZARDOUS VOLTAGE. DISCONNECT POWER AND BE SURE POWER SUPPLY IS DISCHARGED BEFORE TOUCHING INTERNAL PARTS.
 - UNLESS NOTED, RESISTOR VALUES IN OHMS, 1/4W-5% TOL. CAPACITOR VALUES IN MICROFARADS, 50V-10% TOL.
 - VOLTAGES ARE MEASURED WITH 1 MEGOHM OSCILLOSCOPE AND 10 MEGOHM DIGITAL VOLTMETER.

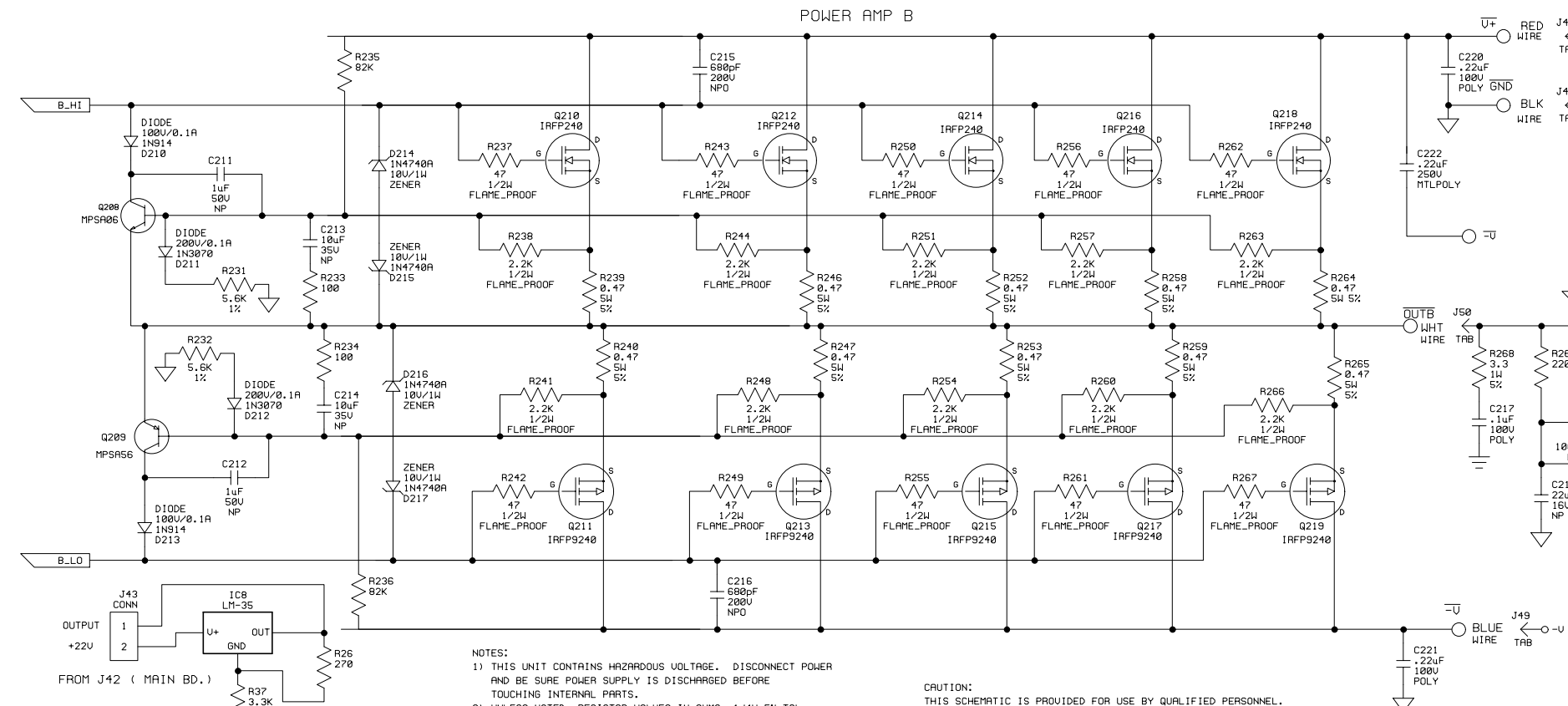
CAUTION:
 THIS SCHEMATIC IS PROVIDED FOR USE BY QUALIFIED PERSONNEL. TO AVOID RISK OF ELECTRIC SHOCK, REFER SERVICING TO QUALIFIED SERVICE PERSONNEL. DO NOT PERFORM ANY SERVICING BEYOND THAT EXPLAINED IN THE OPERATING INSTRUCTIONS.

SHEETS 7, 8 & 9 OF THIS DRAWING REPRESENT ASSY P/N 07-442-21

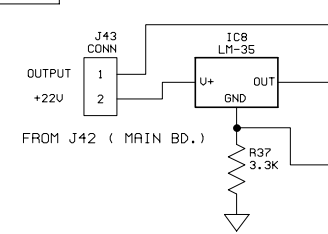
REV:	DATE:	DESCRIPTION:	ECR/ECN NO.:	CHK'D BY:	APP'D BY:	DATE:
THIS INFORMATION CONTAINED ON THIS DRAWING IS PROPRIETARY TO ST. LOUIS MUSIC, INC.						
SIGNATURES:		DATE:	11888 Borman Dr. St. Louis, Missouri 63146			
DRAWN: REM		6-25-98				
CHK'D:		FIRST USED ON:				
RLS'D:						
TOLERANCES:	DRAWING SIZE: D	DRAWING TITLE: POWER_AMP				
	DRAWING TYPE: SCHEMATIC	DRAWING NO.:				
	CLASS CODE:	DRAWING NO.:				
	SCALE: NONE	SHEET: SHT 7 OF 15				
		DRAWING NO.: 07S442-XX				



T.P.	NO SIGNAL	40Urms OUT @ 8 OHMS	LIMITING @ 8 OHMS AS NOTED	WAVEFORM
9	+3.5Vdc	40Urms	41Urms	~
10	-3.5Vdc	40Urms	41Urms	~
11	7.2mVdc	40Urms	41Urms	~
12	-11.52Vdc	-11.8Vdc	-11.8Vdc	—



BIAS ADJUSTMENT: WITH NO SIGNAL AND NO LOAD
 ADJUST AP101 TO OBTAIN AN AVERAGE OF 25 ± 5mV ACROSS R139, 140, R146, 147, 152, 153, 158, 159, 164, 165.
 ADJUST AP201 TO OBTAIN AN AVERAGE OF 25 ± 5mV ACROSS R239, 240, R246, 247, 252, 253, 258, 259, 264, 265.

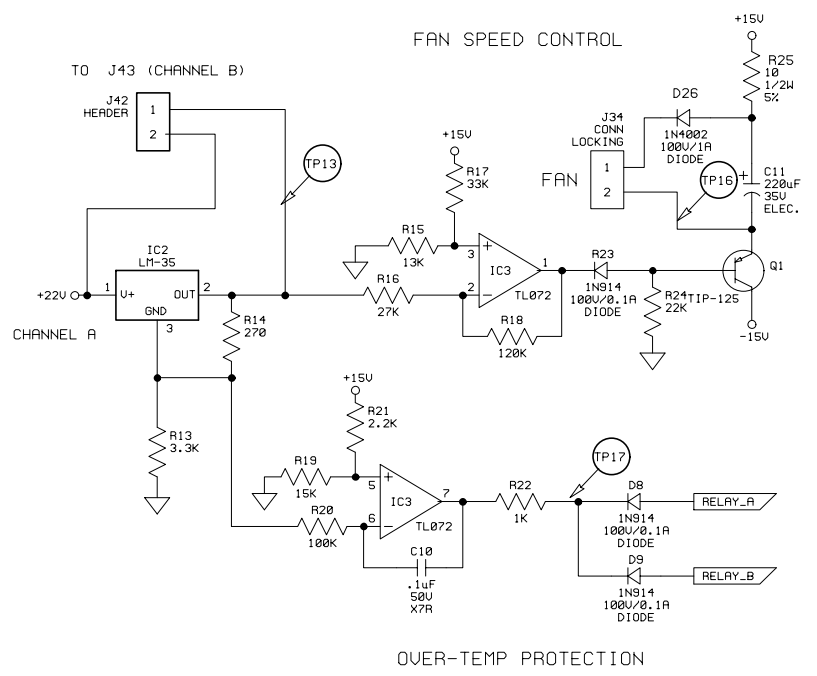
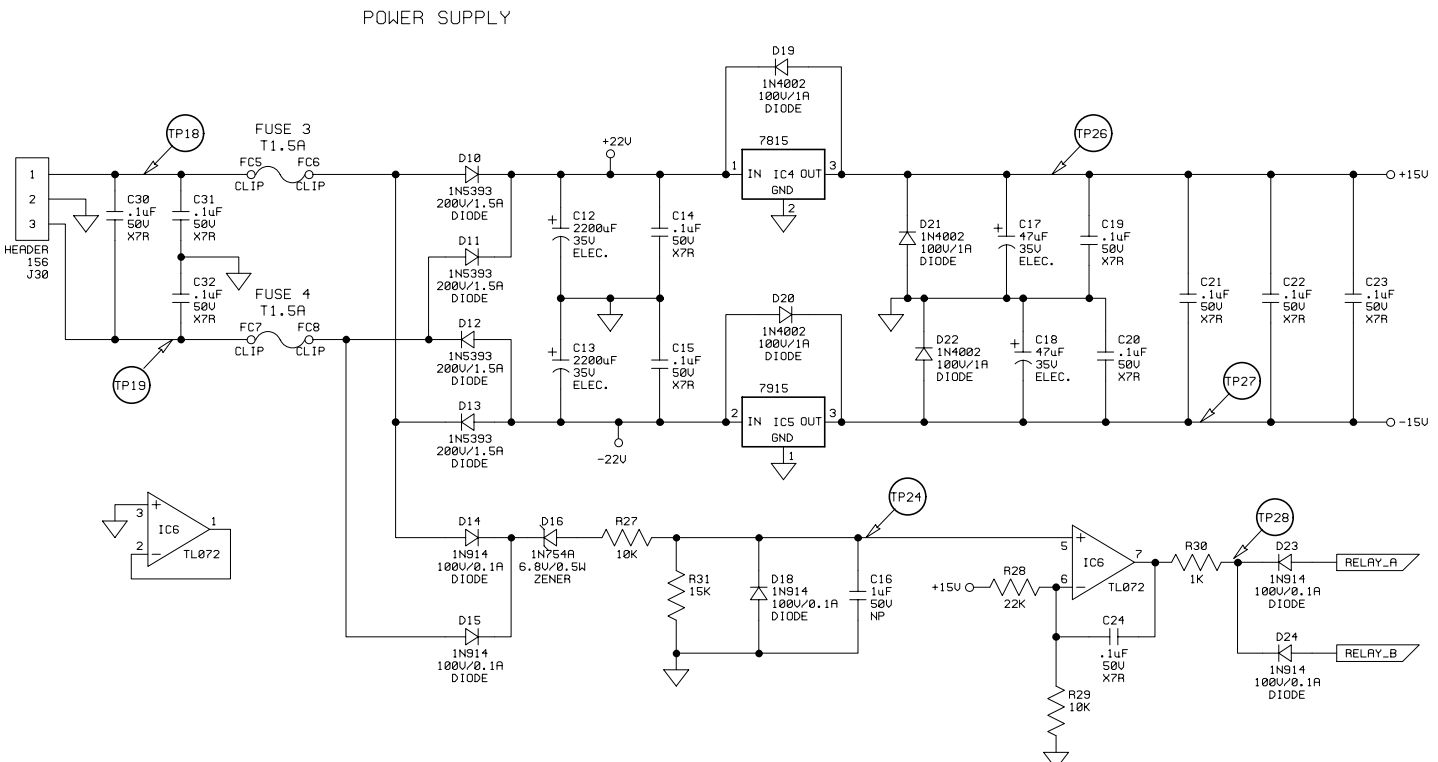
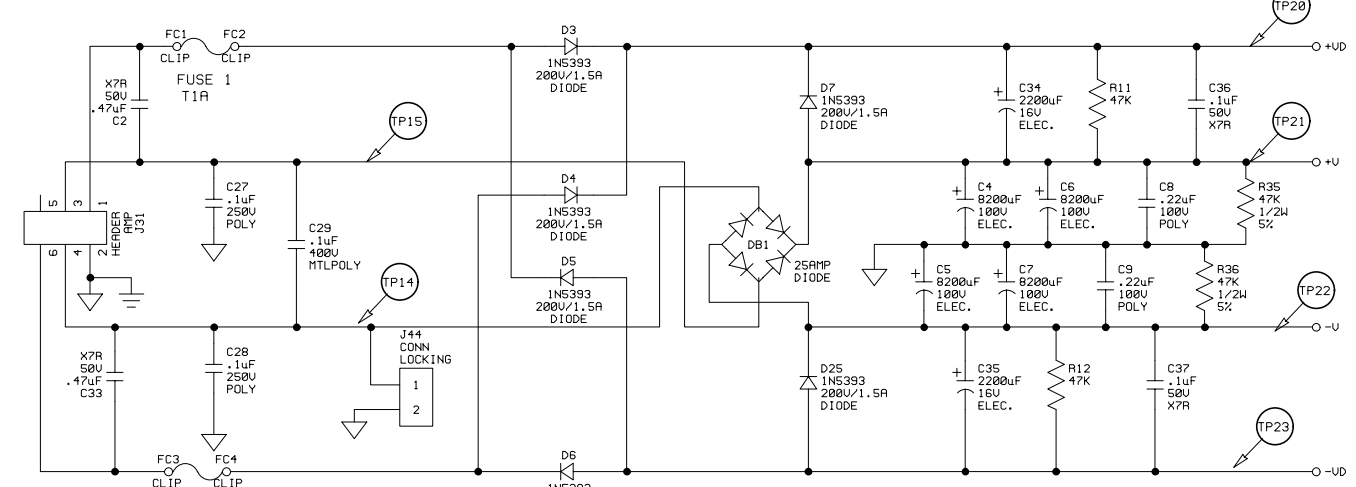
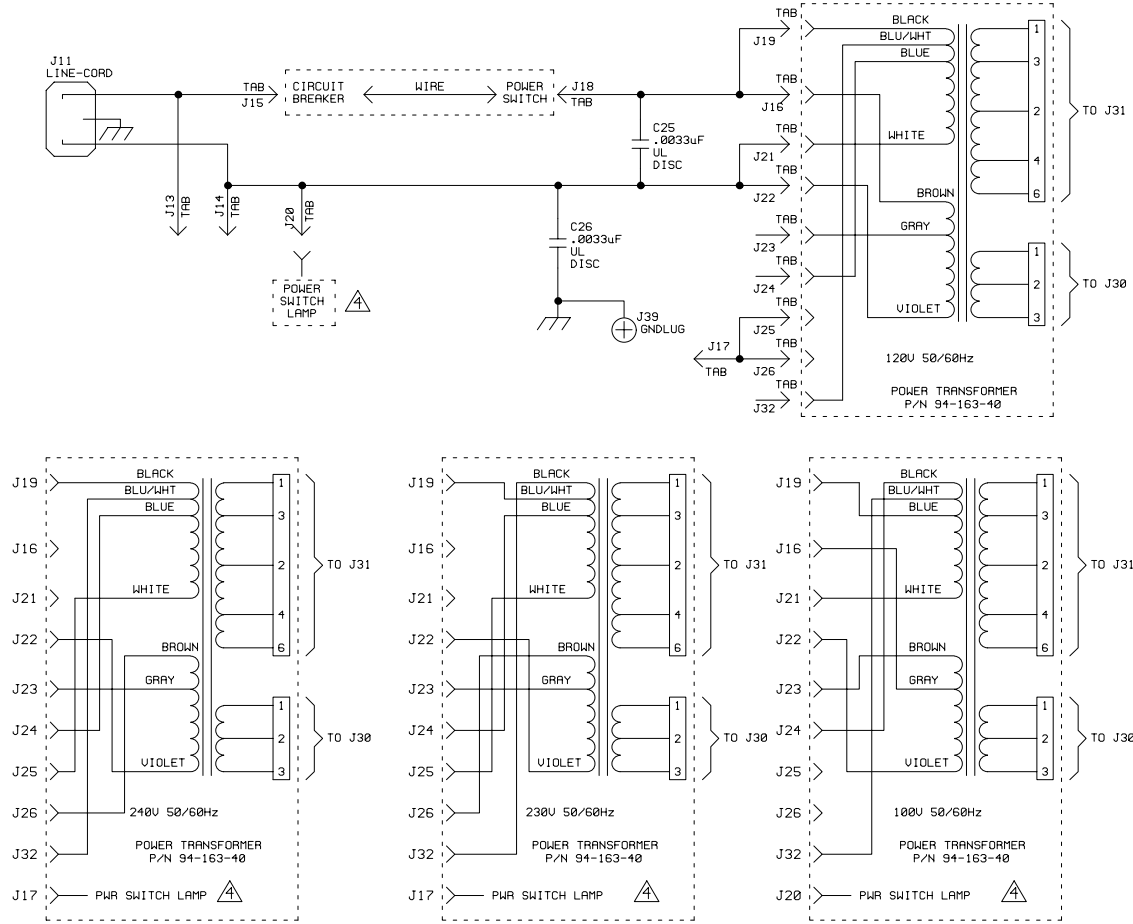


- NOTES:
- 1) THIS UNIT CONTAINS HAZARDOUS VOLTAGE. DISCONNECT POWER AND BE SURE POWER SUPPLY IS DISCHARGED BEFORE TOUCHING INTERNAL PARTS.
 - 2) UNLESS NOTED, RESISTOR VALUES IN OHMS, 1/4W-5% TOL. CAPACITOR VALUES IN MICROFARADS, 50V-10% TOL.
 - 3) VOLTAGES ARE MEASURED WITH 1 MEGOHM OSCILLOSCOPE AND 10 MEGOHM DIGITAL VOLTMETER.

CAUTION:
 THIS SCHEMATIC IS PROVIDED FOR USE BY QUALIFIED PERSONNEL. TO AVOID RISK OF ELECTRIC SHOCK, REFER SERVICING TO QUALIFIED SERVICE PERSONNEL. DO NOT PERFORM ANY SERVICING BEYOND THAT EXPLAINED IN THE OPERATING INSTRUCTIONS.

SHEETS 7, 8 & 9 OF THIS DRAWING REPRESENT ASSY P/N 07-442-21

REV:	DATE:	DESCRIPTION	ECR/ECN NO:	CHG'D BY:	APP'D BY:	DATE:
THIS INFORMATION CONTAINED ON THIS DRAWING IS PROPRIETARY TO ST. LOUIS MUSIC, INC.						
SIGNATURES:		DATE:	11880 Borman Dr. St. Louis, Missouri 63146			
DRAWN:	REM	6-25-98	FIRST USED ON:			
CHK'D:			DRAWING TITLE: POWER_AMP			
RLS'D:			DRAWING NO.: 07S442-XX			
DRAWING SIZE: D		SCALE: NONE				
DRAWING TYPE: SCHEMATIC		SHEET: 8 OF 15				



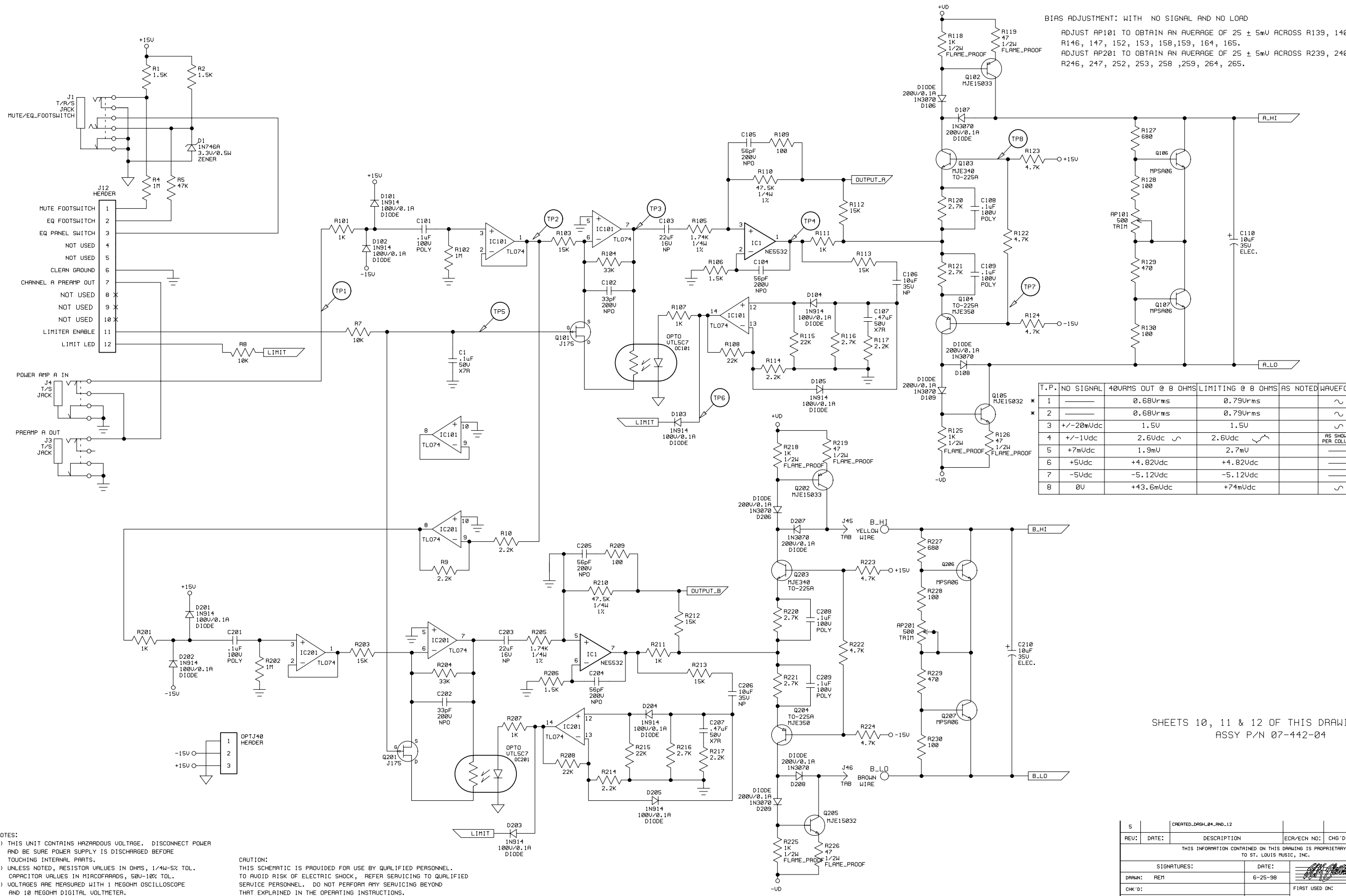
NOTES:
 1) THIS UNIT CONTAINS HAZARDOUS VOLTAGE. DISCONNECT POWER AND BE SURE POWER SUPPLY IS DISCHARGED BEFORE TOUCHING INTERNAL PARTS.
 2) UNLESS NOTED, RESISTOR VALUES IN OHMS, 1/4-5% TOL. CAPACITOR VALUES IN MICROFARADS, 50-10% TOL.
 3) VOLTAGES ARE MEASURED WITH 1 MEGOHM OSCILLOSCOPE AND 10 MEGOHM DIGITAL VOLTMETER.
 4) IF REQUIRED FOR CHASSIS ASSY.

CAUTION:
 THIS SCHEMATIC IS PROVIDED FOR USE BY QUALIFIED PERSONNEL. TO AVOID RISK OF ELECTRIC SHOCK, REFER SERVICING TO QUALIFIED SERVICE PERSONNEL. DO NOT PERFORM ANY SERVICING BEYOND THAT EXPLAINED IN THE OPERATING INSTRUCTIONS.

TP	NO SIGNAL	40URMS OUT @ 8 OHMS	LIMITING @ 8 OHMS	AS NOTED	WAVEFORM
13	VARIABLES w/TEMP	VARIABLES w/TEMP.	VARIABLES w/TEMP.		
14	61Vac	51Vac	51Vac		~
15	61Vac	51Vac	51Vac		~
16	+14Vdc	-4.6Vdc	-4.6Vdc		
17	+14.4Vdc	+14.4Vdc	+14.4Vdc		
18	20Vac	19Vac	19Vac		~
19	20Vac	19Vac	19Vac		~
20	+71Vdc	+64.5Vdc	+64.5Vdc		~
21	+63Vdc	+59Vdc	+59Vdc		~
22	-63Vdc	-59Vdc	-59Vdc		~
23	-71Vdc	-64.5Vdc	-64.5Vdc		~
24	+6Vdc	+5.73Vdc	+5.73Vdc		
25	NOT USED				
26	+15Vdc	+15Vdc	+15Vdc		
27	-15Vdc	-15Vdc	-15Vdc		
28	+14.3Vdc	+14.3Vdc	+14.3Vdc		

SHEETS 7, 8 & 9 OF THIS DRAWING REPRESENT ASSY P/N 07-442-21

REV: 9	DATE: 12/15/05	DESCRIPTION: SEE SHEET 1	ECR/ECN NO: N02013	CHG'D BY:	APP'D BY:	DATE:
THIS INFORMATION CONTAINED ON THIS DRAWING IS PROPRIETARY TO ST. LOUIS MUSIC, INC.						
SIGNATURES:		DATE:		11800 Borman Dr. St. Louis, Missouri 63146		
DRAWN: REM		6-25-98		FIRST USED ON:		
CHK'D:				-		
RLS'D:				-		
DRAWING SIZE: D		DRAWING TITLE: POWER_LAMP		DRAWING NO.:		
DRAWING TYPE: - SCHEMATIC				DRAWING NO.: 07S442-XX		
CLASS CODE:				SCALE: NONE		
SCALE: NONE		SHEET: SHT 9 OF 15				



BIAS ADJUSTMENT: WITH NO SIGNAL AND NO LOAD
 ADJUST AP101 TO OBTAIN AN AVERAGE OF 25 ± 5mV ACROSS R139, 140, R146, 147, 152, 153, 158, 159, 164, 165.
 ADJUST AP201 TO OBTAIN AN AVERAGE OF 25 ± 5mV ACROSS R239, 240, R246, 247, 252, 253, 258, 259, 264, 265.

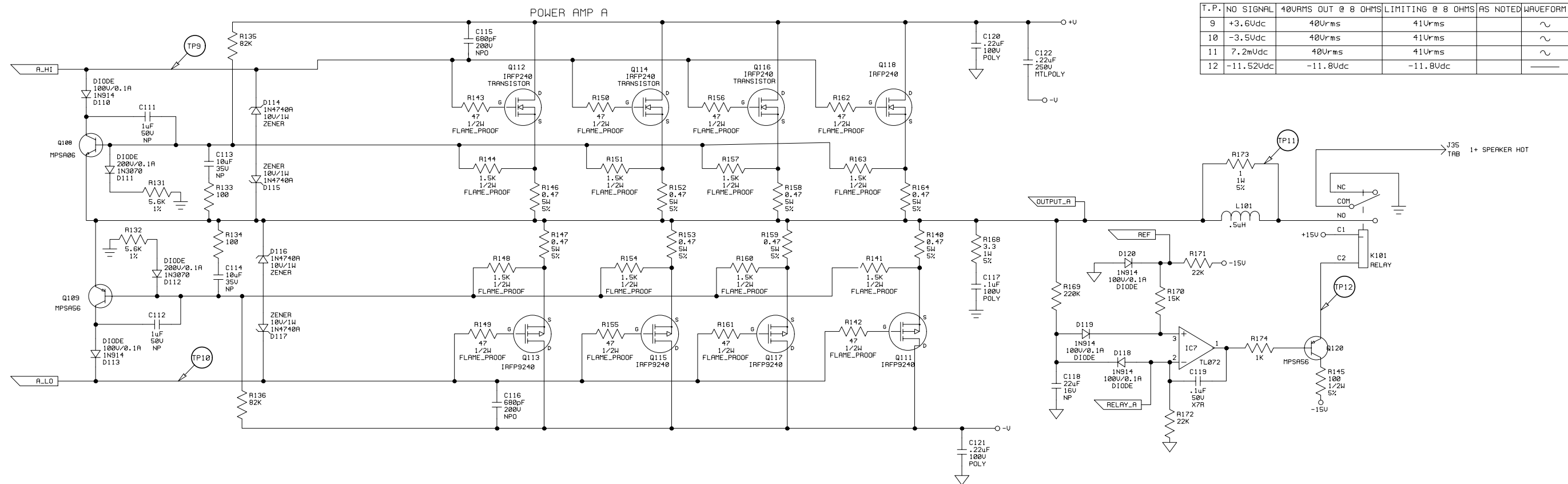
T.P.	NO SIGNAL	40Vrms OUT @ 8 OHMS	LIMITING @ 8 OHMS AS NOTED	WAVEFORM
1		0.68Vrms	0.79Vrms	~
2		0.68Vrms	0.79Vrms	~
3	+/-20mVdc	1.5V	1.5V	~
4	+/-1Vdc	2.6Vdc	2.6Vdc	AS SHOWN PER COLUMN
5	+7mVdc	1.9mV	2.7mV	~
6	+5Vdc	+4.82Vdc	+4.82Vdc	~
7	-5Vdc	-5.12Vdc	-5.12Vdc	~
8	0V	+43.6mVdc	+74mVdc	~

- NOTES:
- THIS UNIT CONTAINS HAZARDOUS VOLTAGE. DISCONNECT POWER AND BE SURE POWER SUPPLY IS DISCHARGED BEFORE TOUCHING INTERNAL PARTS.
 - UNLESS NOTED, RESISTOR VALUES IN OHMS, 1/4W-5% TOL. CAPACITOR VALUES IN MICROFARADS, 50V-10% TOL.
 - VOLTAGES ARE MEASURED WITH 1 MEGOHM OSCILLOSCOPE AND 10 MEGOHM DIGITAL VOLTMETER.

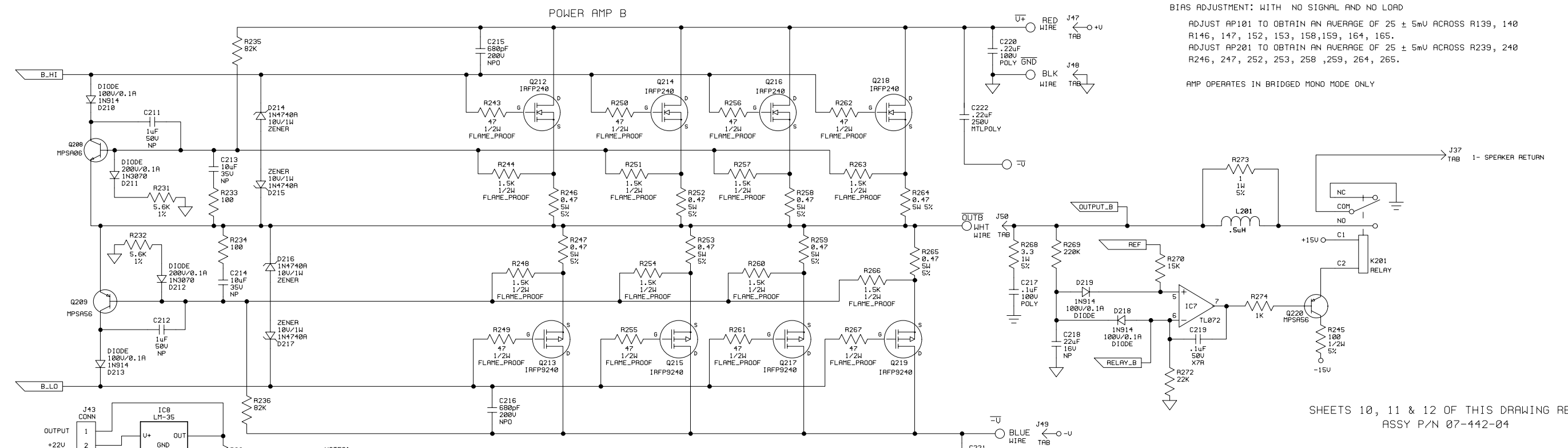
CAUTION:
 THIS SCHEMATIC IS PROVIDED FOR USE BY QUALIFIED PERSONNEL. TO AVOID RISK OF ELECTRIC SHOCK, REFER SERVICING TO QUALIFIED SERVICE PERSONNEL. DO NOT PERFORM ANY SERVICING BEYOND THAT EXPLAINED IN THE OPERATING INSTRUCTIONS.

SHEETS 10, 11 & 12 OF THIS DRAWING REPRESENT ASSY P/N 07-442-04

5	CREATED: DASHL84_RND_12				
REV:	DATE:	DESCRIPTION:	ECR/ECN NO.:	CHG'D BY:	APP'D BY:
THIS INFORMATION CONTAINED ON THIS DRAWING IS PROPRIETARY TO ST. LOUIS MUSIC, INC.					
SIGNATURES:		DATE:	11888 Borman Dr. St. Louis, Missouri 63146		
DRAWN: REM		6-25-98			
CHK'D:			FIRST USED ON:		
ALS'D:					
TOLERANCES:	DRAWING SIZE: D	DRAWING TITLE: POWER_AMP			
	DRAWING TYPE: - SCHEMATIC	DRAWING NO.:		07S442-XX	
	CLASS CODE:	SHEET: SHT 10 of 15			
	SCALE: NONE				

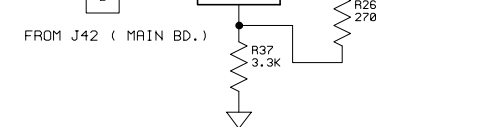


T.P.	NO SIGNAL	40VRMS OUT @ 8 OHMS	LIMITING @ 8 OHMS AS NOTED	WAVEFORM
9	+3.5Vdc	40Urms	41Urms	~
10	-3.5Vdc	40Urms	41Urms	~
11	7.2mVdc	40Urms	41Urms	~
12	-11.52Vdc	-11.8Vdc	-11.8Vdc	—



BIAS ADJUSTMENT: WITH NO SIGNAL AND NO LOAD
 ADJUST AP101 TO OBTAIN AN AVERAGE OF 25 ± 5mV ACROSS R139, 140, R146, 147, 152, 153, 158, 159, 164, 165.
 ADJUST AP201 TO OBTAIN AN AVERAGE OF 25 ± 5mV ACROSS R239, 240, R246, 247, 252, 253, 258, 259, 264, 265.

AMP OPERATES IN BRIDGED MONO MODE ONLY

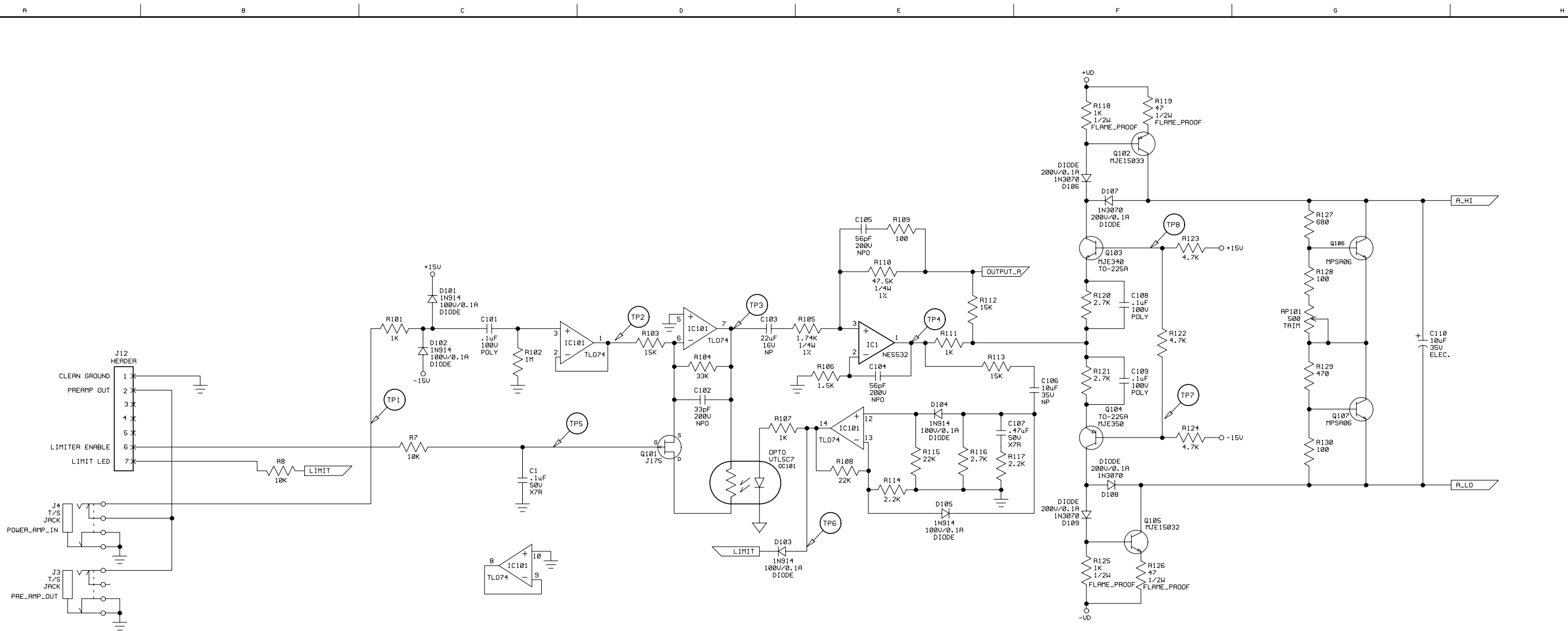


- NOTES:
- 1) THIS UNIT CONTAINS HAZARDOUS VOLTAGE. DISCONNECT POWER AND BE SURE POWER SUPPLY IS DISCHARGED BEFORE TOUCHING INTERNAL PARTS.
 - 2) UNLESS NOTED, RESISTOR VALUES IN OHMS, 1/4W-5% TOL. CAPACITOR VALUES IN MICROFARADS, 50V-10% TOL.
 - 3) VOLTAGES ARE MEASURED WITH 1 MEGOHM OSCILLOSCOPE AND 10 MEGOHM DIGITAL VOLTMETER.

CAUTION:
 THIS SCHEMATIC IS PROVIDED FOR USE BY QUALIFIED PERSONNEL. TO AVOID RISK OF ELECTRIC SHOCK, REFER SERVICING TO QUALIFIED SERVICE PERSONNEL. DO NOT PERFORM ANY SERVICING BEYOND THAT EXPLAINED IN THE OPERATING INSTRUCTIONS.

SHEETS 10, 11 & 12 OF THIS DRAWING REPRESENT ASSY P/N 07-442-04

REV:	DATE:	DESCRIPTION:	ECR/ECN NO.:	CHG'D BY:	APP'D BY:	DATE:
THIS INFORMATION CONTAINED ON THIS DRAWING IS PROPRIETARY TO ST. LOUIS MUSIC, INC.						
SIGNATURES:		DATE:		11888 Borman Dr. St. Louis, Missouri 63146		
DRAWN:	REM	6-25-98		FIRST USED ON:		
CHK'D:				-		
ALS'D:				-		
DRAWING SIZE: D		DRAWING TITLE: POWER_AMP				
DRAWING TYPE: - SCHEMATIC		DRAWING NO.:		07S442-XX		
CLASS CODE:		SHEET: SHT 11 OF 15				
SCALE: NONE						



BIAS ADJUSTMENT: WITH NO SIGNAL AND NO LOAD
 ADJUST AP101 TO OBTAIN AN AVERAGE OF 25 ± 5mV ACROSS R139, 140, R146, 147, 152, 153, 158, 159, 164, 165.

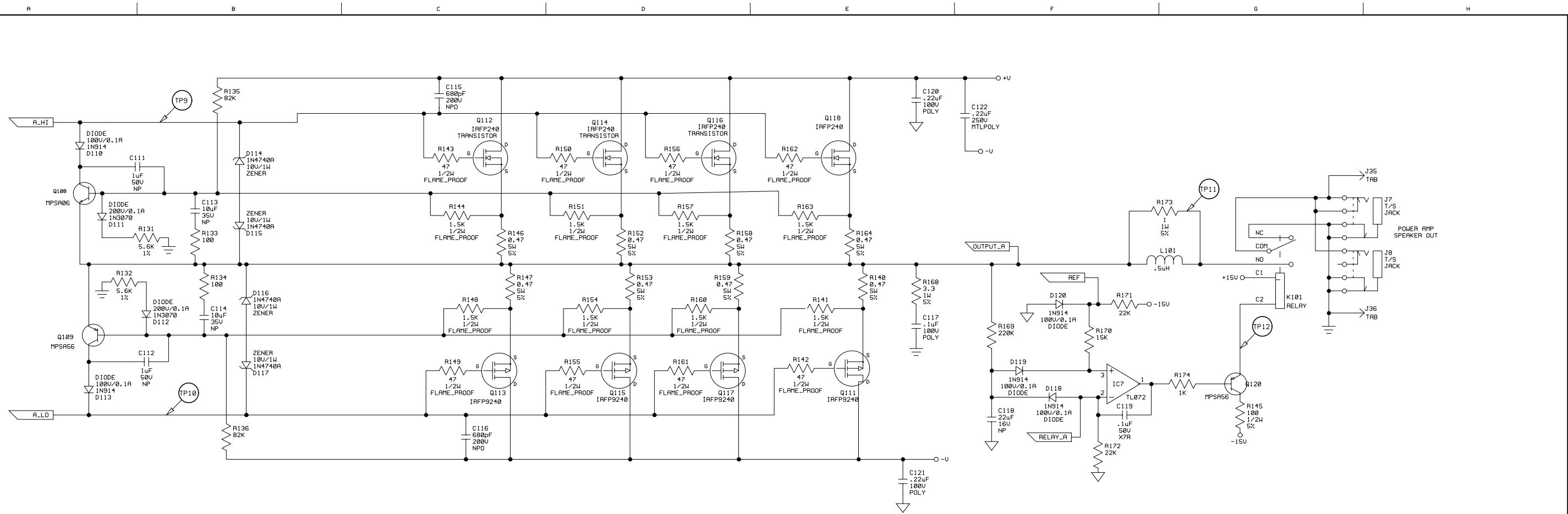
T.P.	NO SIGNAL	40URMS OUT @ 8 OHMS	LIMITING @ 8 OHMS AS NOTED	WAVEFORM
* 1	---	0.68Urms	0.79Urms	~
* 2	---	0.68Urms	0.79Urms	~
3	+/-20mVdc	1.5V	1.5V	~
4	+/-1Vdc	2.6Vdc	2.6Vdc	AS SHOWN PER COLUMN
5	+7mVdc	1.9mV	2.7mV	---
6	+5Vdc	+4.82Vdc	+4.82Vdc	---
7	-5Vdc	-5.12Vdc	-5.12Vdc	---
8	0V	+43.6mVdc	+74mVdc	~

- NOTES:
- THIS UNIT CONTAINS HAZARDOUS VOLTAGE. DISCONNECT POWER AND BE SURE POWER SUPPLY IS DISCHARGED BEFORE TOUCHING INTERNAL PARTS.
 - UNLESS NOTED, RESISTOR VALUES IN OHMS, 1/4W-5% TOL. CAPACITOR VALUES IN MICROFARADS, 50V-10% TOL.
 - VOLTAGES ARE MEASURED WITH 1 MEGOHM OSCILLOSCOPE AND 10 MEGOHM DIGITAL VOLTMETER.

CAUTION:
 THIS SCHEMATIC IS PROVIDED FOR USE BY QUALIFIED PERSONNEL. TO AVOID RISK OF ELECTRIC SHOCK, REFER SERVICING TO QUALIFIED SERVICE PERSONNEL. DO NOT PERFORM ANY SERVICING BEYOND THAT EXPLAINED IN THE OPERATING INSTRUCTIONS.

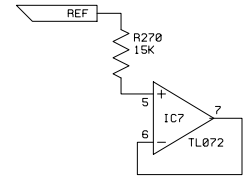
SHEETS 13, 14 & 15 OF THIS DRAWING REPRESENTS
 ASSY P/N 07-442-12

5	CREATED: DASHL04_RND.12				
REV:	DATE:	DESCRIPTION:	ECR/ECN NO:	CHG'D BY:	APP'D BY:
THIS INFORMATION CONTAINED ON THIS DRAWING IS PROPRIETARY TO ST. LOUIS MUSIC, INC.					
SIGNATURES:		DATE:		11880 Borman Dr. St. Louis, Missouri 63146	
DRAWN:	REM	6-25-98		FIRST USED ON:	
CHK'D:		-			
ALS'D:		-			
TOLERANCES:	DRAWING SIZE: D SCHEMATIC		DRAWING TITLE: POWER_AMP		
	DRAWING TYPE: -		CLASS CODE:		
	SCALE: NONE		DRAWING NO.: 07S442-XX		
	SHEET: SHT 13 OF 15				



BIAS ADJUSTMENT: WITH NO SIGNAL AND NO LOAD
 ADJUST AP101 TO OBTAIN AN AVERAGE OF 25 ± 5mV ACROSS R139, 140
 R146, 147, 152, 153, 158, 159, 164, 165.

T.P.	NO SIGNAL	40VRMS OUT @ 8 OHMS	LIMITING @ 8 OHMS	AS NOTED	WAVEFORM
9	+3.6Vdc	40Urms	41Urms		~
10	-3.5Vdc	40Urms	41Urms		~
11	7.2mVdc	40Urms	41Urms		~
12	-11.52Vdc	-11.8Vdc	-11.8Vdc		—



- NOTES:
- 1) THIS UNIT CONTAINS HAZARDOUS VOLTAGE. DISCONNECT POWER AND BE SURE POWER SUPPLY IS DISCHARGED BEFORE TOUCHING INTERNAL PARTS.
 - 2) UNLESS NOTED, RESISTOR VALUES IN OHMS, 1/4W-5% TOL. CAPACITOR VALUES IN MICROFARADS, 50U-10% TOL.
 - 3) VOLTAGES ARE MEASURED WITH 1 MEGOHM OSCILLOSCOPE AND 10 MEGOHM DIGITAL VOLTMETER.

CAUTION:
 THIS SCHEMATIC IS PROVIDED FOR USE BY QUALIFIED PERSONNEL. TO AVOID RISK OF ELECTRIC SHOCK, REFER SERVICING TO QUALIFIED SERVICE PERSONNEL. DO NOT PERFORM ANY SERVICING BEYOND THAT EXPLAINED IN THE OPERATING INSTRUCTIONS.

SHEETS 13, 14 & 15 OF THIS DRAWING REPRESENTS
 ASSY P/N 07-442-12

5	CREATED_DASHL01_RND.12				
REV:	DATE:	DESCRIPTION	ECR/ECN NO:	CHG'D BY:	APP'D BY:
THIS INFORMATION CONTAINED ON THIS DRAWING IS PROPRIETARY TO ST. LOUIS MUSIC, INC.					
SIGNATURES:		DATE:	11880 Borman Dr. St. Louis, Missouri 63146		
DRAWN:	REF	6-25-98			
CHK'D:			FIRST USED ON:		
RLS'D:					
TOLERANCES:	DRAWING SIZE: D	DRAWING TITLE: POWER_AMP			
	DRAWING TYPE: - SCHEMATIC	DRAWING NO.:		07S442-XX	
	CLASS CODE:	SCALE: NONE		SHEET: SHT 14 OF 15	

