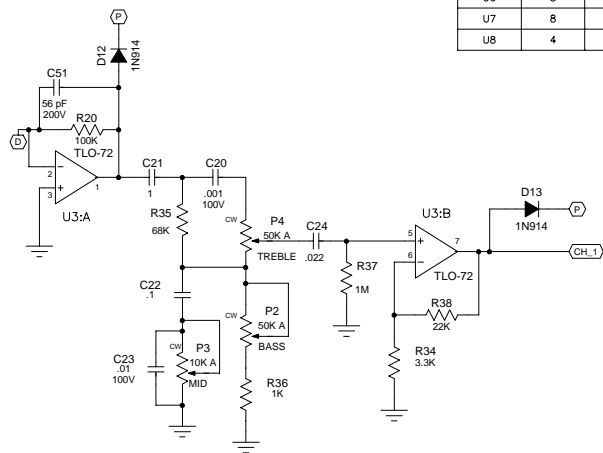
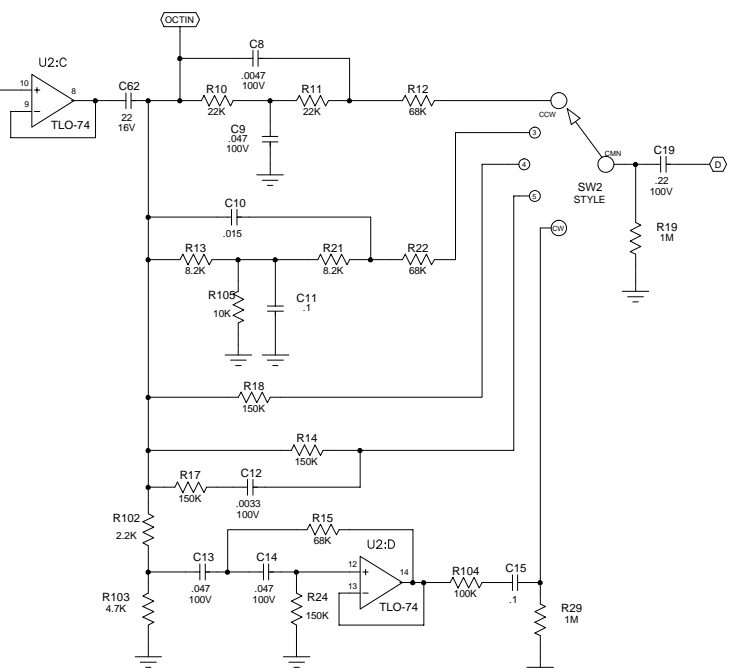
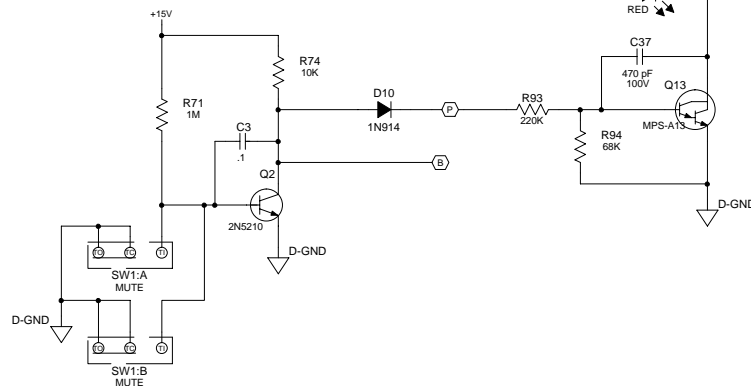


RefDes	+15V	+14V	-14V	D-GND	-15V	+V
U1		8	4			
U2	4				11	
U3	8				4	
U4				7		14
U5	8				4	
U6	8				4	
U7	8				4	
U8	4				11	

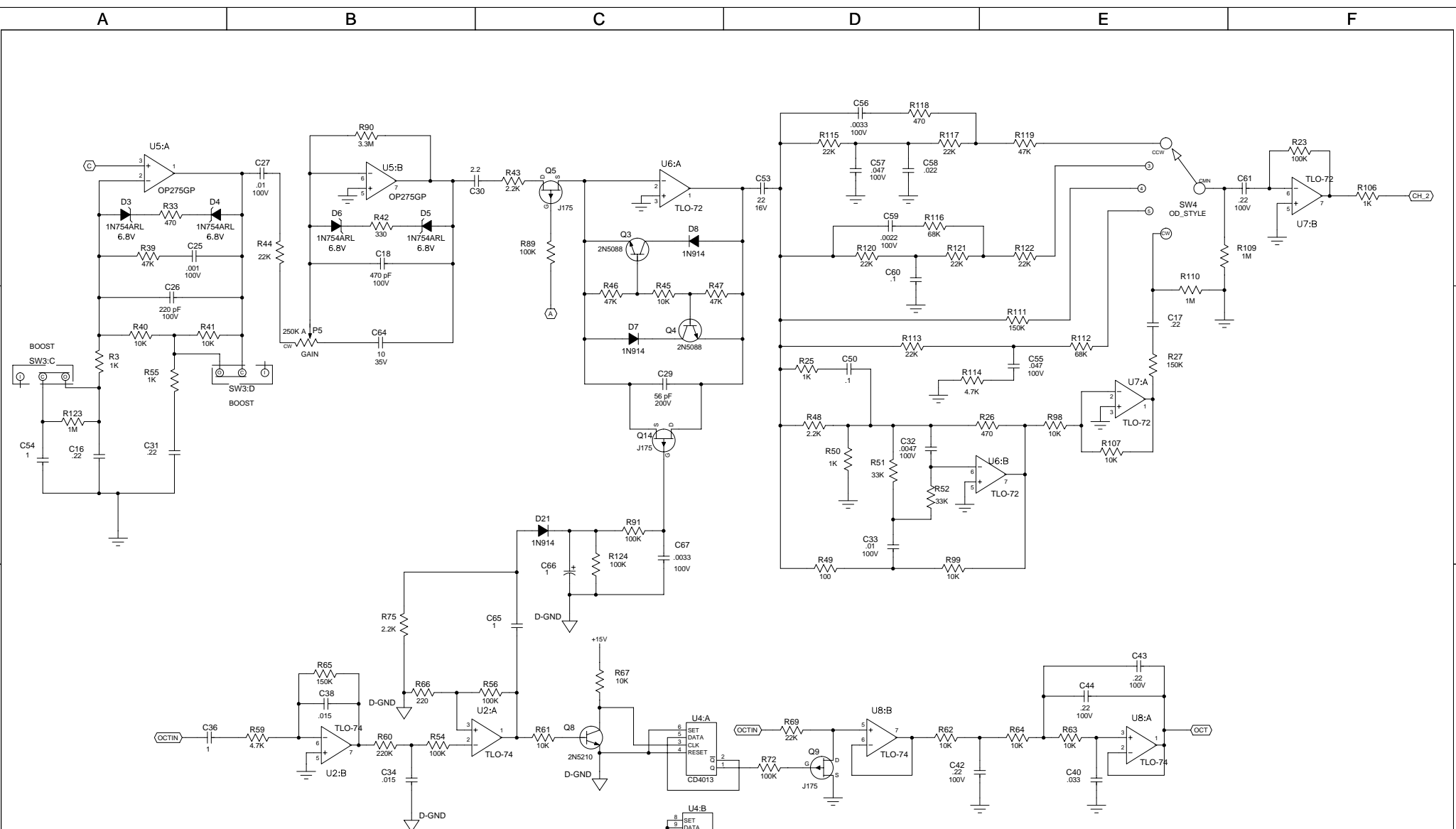


CAUTION:
THIS SCHEMATIC IS PROVIDED FOR USE BY QUALIFIED PERSONNEL TO AVOID RISK OF ELECTRIC SHOCK. REFER SERVICING TO QUALIFIED SERVICE PERSONNEL. DO NOT PERFORM ANY SERVICING BEYOND THAT EXPLAINED IN THE OPERATING INSTRUCTIONS.

- NOTES:**
1) CAUTION: SHOCK HAZARD!! THIS UNIT CONTAINS HAZARDOUS VOLTAGE. DISCONNECT POWER AND BE SURE POWER SUPPLY IS DISCHARGED BEFORE TOUCHING INTERNAL PARTS.
2) UNLESS NOTED, RESISTOR VALUES IN OHMS, 1/4W-5% TOL. CAPACITOR VALUES IN MICROFARADS, 50V-10% TOL.
3) VOLTAGES ARE MEASURED WITH 1 MEGOHM OSCILLOSCOPE AND 10 MEGOHM DIGITAL VOLTMETER.



2	9-6-00	GND'ED UNUSED GATE OF U4	N00440	WFB		
1	2/18/00	R79 WAS 10K	N00399	RLB		
0	10/29/99	CONTROL ISSUE	D990500	WFB		
REV	Date	DESCRIPTION	Ecr(s)/Ecn(s)	Chgd By	Appvd by	Date
THE INFORMATION CONTAINED ON THIS DRAWING IS PROPRIETARY TO ST. LOUIS MUSIC, INC.						
Signatures:			Date:		 11880 Borman Drive, St. Louis, MO 63146	
Drawn: WFB			10/5/99			
Checked:					First Used On:	
Released:					B5Ra	
Plot Date: Tue Nov 21, 2000		Drawing Size: C		Drawing Title:		
Plot Time: 09:40:24		Drawing Type: Schematic		PWA BASS PREAMP		
Tolerance:			Class Code: NONE		Drawing Number:	
			Sheet 1 of 3		07S558-XX	



CAUTION:
 THIS SCHEMATIC IS PROVIDED FOR USE BY QUALIFIED PERSONNEL TO AVOID RISK OF ELECTRIC SHOCK. REFER SERVICING TO QUALIFIED SERVICE PERSONNEL. DO NOT PERFORM ANY SERVICING BEYOND THAT EXPLAINED IN THE OPERATING INSTRUCTIONS.

NOTES:
 1) CAUTION: SHOCK HAZARD!! THIS UNIT CONTAINS HAZARDOUS VOLTAGE. DISCONNECT POWER AND BE SURE POWER SUPPLY IS DISCHARGED BEFORE TOUCHING INTERNAL PARTS.
 2) UNLESS NOTED, RESISTOR VALUES IN OHMS, 1/4W-5% TOL. CAPACITOR VALUES IN MICROFARADS, 50V-10% TOL.
 3) VOLTAGES ARE MEASURED WITH 1 MEGOHM OSCILLOSCOPE AND 10 MEGOHM DIGITAL VOLTMETER.

Power Table						
RefDes	+15V	+14V	-14V	D-GND	-15V	+V
U1		8	4			
U2	4				11	
U3	8				4	
U4				7		14
U5	8				4	
U6	8				4	
U7	8				4	
U8	4				11	

2	9-6-00	GND'ED UNUSED GATE OF U4	N00440	WFB		
1	2/18/00	R79 WAS 10K	N00399	RLB		
0	10/29/99	CONTROL ISSUE	D990500	WFB		
REV	Date	DESCRIPTION	Ecr(s)/Ecn(s)	Chgd By	Appvd by	Date
THE INFORMATION CONTAINED ON THIS DRAWING IS PROPRIETARY TO ST. LOUIS MUSIC, INC.						
Signatures:		Date:		 11880 Borman Drive, St. Louis, MO 63146		
Drawn: WFB		10/5/99				
Checked:				First Used On: B5Ra		
Released:				Drawing Title: PWA BASS PREAMP		
Plot Date: Tue Nov 21, 2000		Drawing Size: C		Drawing Number: 07S558-XX		
Plot Time: 09:40:24		Drawing Type: Schematic		Tolerance: NONE		
		Class Code: NONE		Sheet 2 of 3		

1

1

2

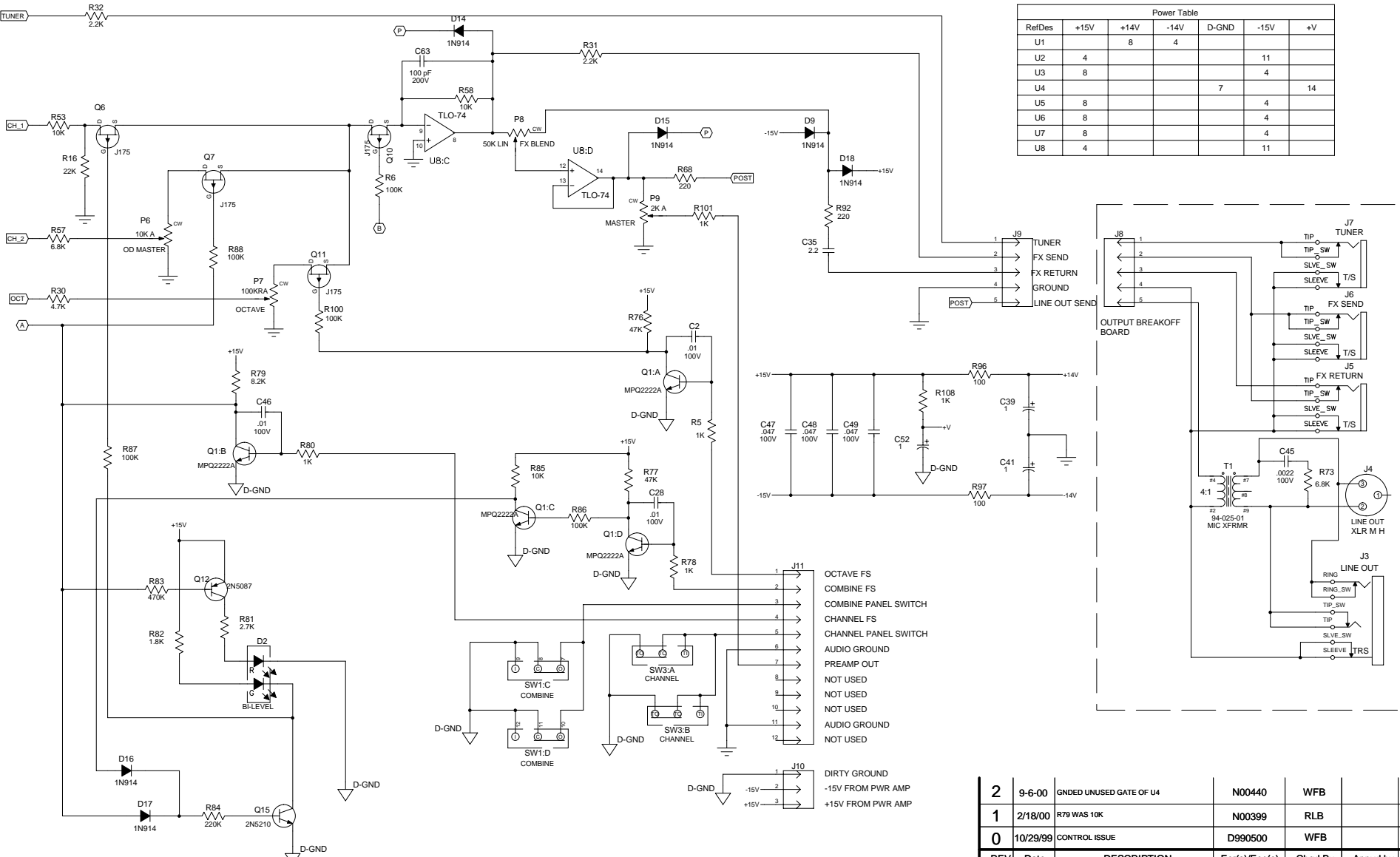
2

3

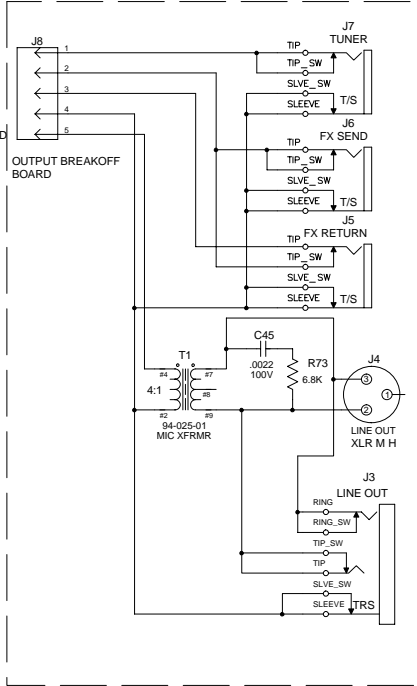
3

4

4



Power Table						
RefDes	+15V	+14V	-14V	D-GND	-15V	+V
U1		8	4		11	
U2	4					
U3	8				4	
U4				7		14
U5	8				4	
U6	8				4	
U7	8				4	
U8	4				11	



CAUTION:
THIS SCHEMATIC IS PROVIDED FOR USE BY QUALIFIED PERSONNEL. TO AVOID RISK OF ELECTRIC SHOCK, REFER SERVICING TO QUALIFIED SERVICE PERSONNEL. DO NOT PERFORM ANY SERVICING BEYOND THAT EXPLAINED IN THE OPERATING INSTRUCTIONS.

- NOTES:**
- 1) CAUTION: SHOCK HAZARD!! THIS UNIT CONTAINS HAZARDOUS VOLTAGE. DISCONNECT POWER AND BE SURE POWER SUPPLY IS DISCHARGED BEFORE TOUCHING INTERNAL PARTS.
 - 2) UNLESS NOTED, RESISTOR VALUES IN OHMS, 1/4W-5% TOL. CAPACITOR VALUES IN MICROFARADS, 50V-10% TOL.
 - 3) VOLTAGES ARE MEASURED WITH 1 MEGOHM OSCILLOSCOPE AND 10 MEGOHM DIGITAL VOLTMETER.

- 1 J11 OCTAVE FS
 - 2 J11 COMBINE FS
 - 3 J11 COMBINE PANEL SWITCH
 - 4 J11 CHANNEL FS
 - 5 J11 CHANNEL PANEL SWITCH
 - 6 J11 AUDIO GROUND
 - 7 J11 PREAMP OUT
 - 8 J11 NOT USED
 - 9 J11 NOT USED
 - 10 J11 NOT USED
 - 11 J11 AUDIO GROUND
 - 12 J11 NOT USED
- 1 J10 DIRTY GROUND
 - 2 J10 -15V FROM PWR AMP
 - 3 J10 +15V FROM PWR AMP

2	9-6-00	GNDED UNUSED GATE OF U4	N00440	WFB		
1	2/18/00	R79 WAS 10K	N00399	RLB		
0	10/29/99	CONTROL ISSUE	D990500	WFB		
REV	Date	DESCRIPTION	Ecr(s)/Ecr(s)	Chgd By	Appvd by	Date
THE INFORMATION CONTAINED ON THIS DRAWING IS PROPRIETARY TO ST. LOUIS MUSIC, INC.						
Signatures:		Date:		 11880 Borman Drive, St. Louis, MO 63146		
Drawn: WFB		10/5/99				
Checked:						
Released:				B5Ra		
Plot Date: Tue Nov 21, 2000		Drawing Size: C		Drawing Title: PWA BASS PREAMP		
Plot Time: 09:48:24		Drawing Type: Schematic		Drawing Number: 07S558-XX		
Tolerance:		Class Code: NONE				
		Sheet 3 of 3				