

**NOT USED**

C29, C30, D3, D20, D21, D22, J4, J5, J6, J9, P17, Q4, Q5, Q6, R1, R54, R59, R60-R67, S2.

**TEST POINT CHART**

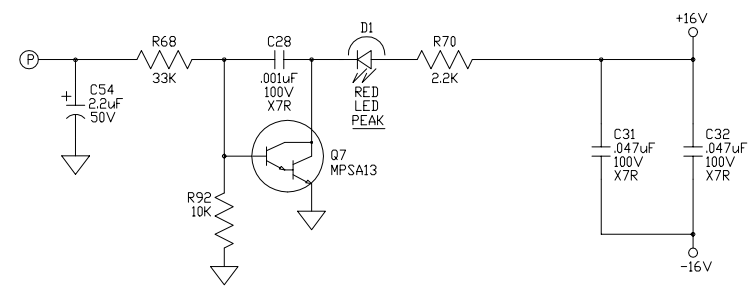
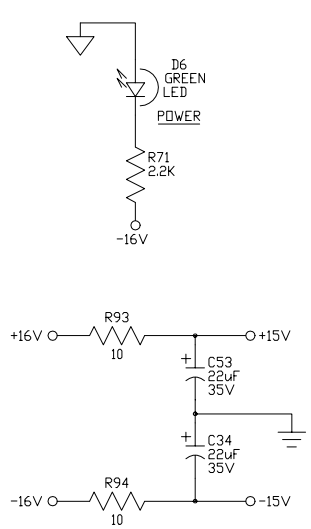
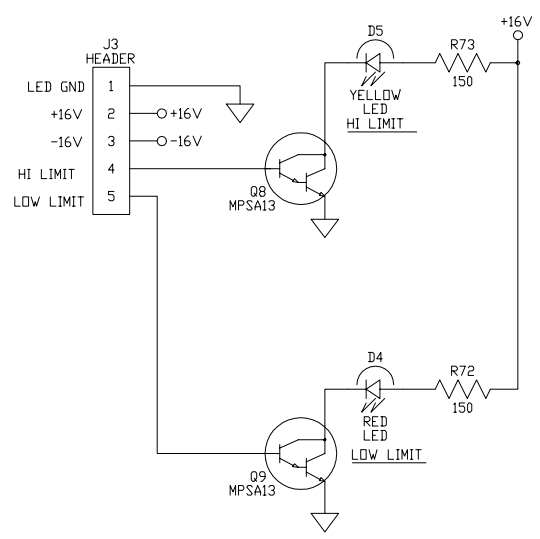
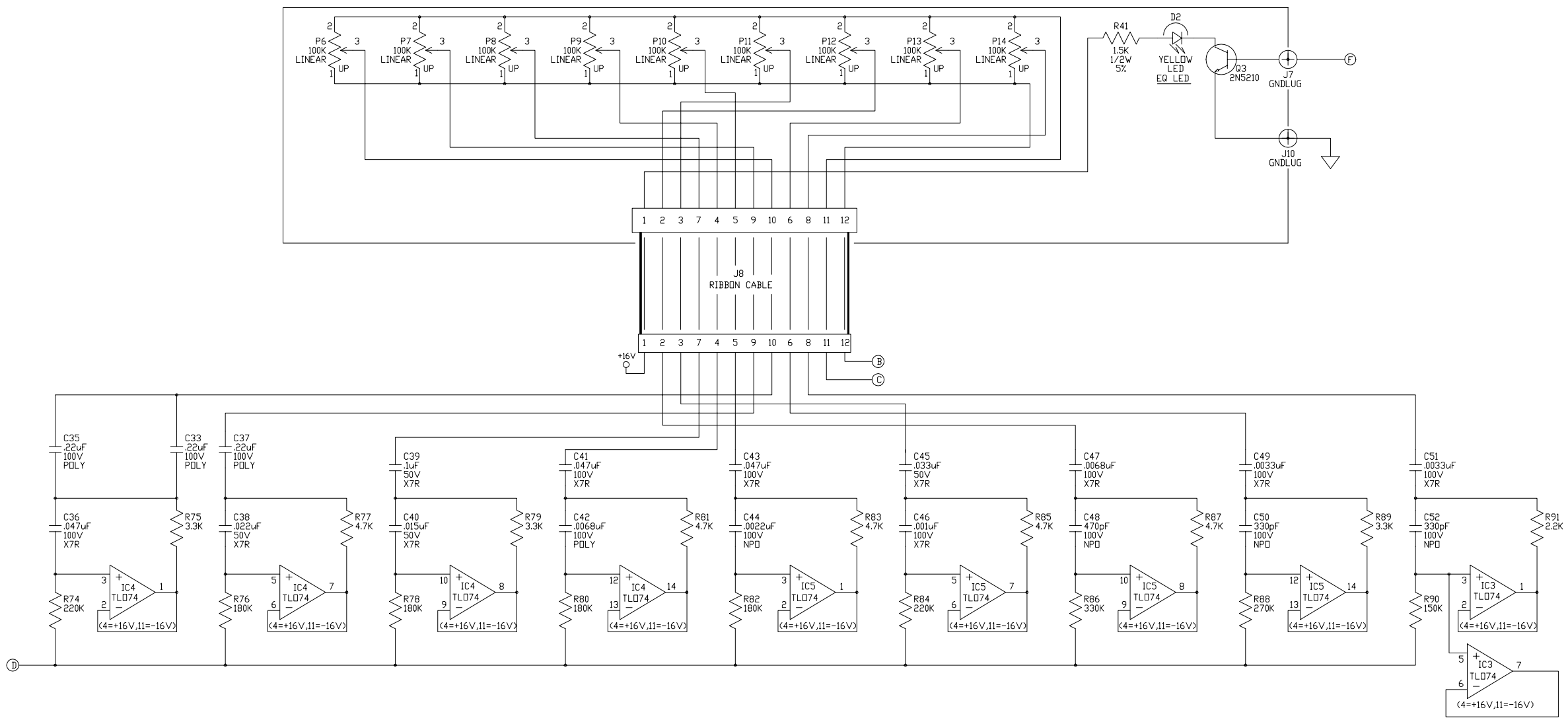
INPUT SIGNAL 29mV RMS @ 1KHz (.08V p-p)  
 GAIN & MASTER @ '10'; DRIVE @ '0';  
 TONES, BALANCE @ '5'; PAD OUT.

T.P.	AC VOLTAGE	DC VOLTAGE	CONDITION
1	0.1V p-p	0V	
2	3.2V p-p	0V	
3	1.0V p-p	0V	
4	2.0V p-p	0V	
5	1.2V p-p	0V	
6	1.3V p-p	0V	
7	1.2V p-p	0V	
8	2.4V p-p	0V	
9	1.5V p-p	0V	FREQ'S BELOW 150Hz
10	1.5V p-p	0V	FREQ'S ABOVE 150Hz
11	—	3.3V/DV	GRAPHIC EQ ON/OFF

**NOTES**

- 1) CAUTION: SHOCK HAZARD!! THIS UNIT CONTAINS HAZARDOUS VOLTAGE. DISCONNECT POWER AND BE SURE POWER SUPPLY IS DISCHARGED BEFORE TOUCHING INTERNAL PARTS.
- 2) UNLESS NOTED, RESISTOR VALUES IN OHMS, 1/4W-5% TOL. CAPACITOR VALUES IN MICROFARADS, 50V-10% TOL.
- 3) VOLTAGES ARE MEASURED WITH 1 MEGOHM OSCILLOSCOPE AND 10 MEGOHM DIGITAL VOLTMETER.
- 4) CHASSIS GROUND  $\perp$  LED GROUND  $\nabla$  AUDIO GROUND  $\oplus$

<b>SIGNATURES:</b>		<b>DATE:</b>	11880 BORMAN DR. ST. LOUIS, MISSOURI 63146
DRAWN: REM	CHK'D: GM	8/21/98	
PROJECT NAME:			B-3158a
DRAWING NAME:			PREAMP SCHEMATIC
PLOT DATE:		12/16/98	DRAWING NO. 07S538-22
PLOT TIME:		12:59:40	REV. 0_
FILE NAME:		53822h0_	SCALE: ~ SHEET: 1 OF 2



- NOTES**
- 1) CAUTION: SHOCK HAZARD!! THIS UNIT CONTAINS HAZARDOUS VOLTAGE. DISCONNECT POWER AND BE SURE POWER SUPPLY IS DISCHARGED BEFORE TOUCHING INTERNAL PARTS.
  - 2) UNLESS NOTED, RESISTOR VALUES IN OHMS, 1/4W-5% TOL. CAPACITOR VALUES IN MICROFARADS, 50V-10% TOL.
  - 3) VOLTAGES ARE MEASURED WITH 1 MEGOHM OSCILLOSCOPE AND 10 MEGOHM DIGITAL VOLTMETER.
  - 4) CHASSIS GROUND  $\perp$  LED GROUND  $\nabla$  AUDIO GROUND  $\oplus$

SEE SHT 1 FOR REV HISTORY

<b>SIGNATURES:</b>		<b>DATE:</b>	11880 BORMAN DR. ST. LOUIS, MISSOURI 63146
DRAWN: REM		8/21/98	
CHK'D: GM		8/21/98	PROJECT NAME: B-3158a
APP'D: GM		8/21/98	DRAWING NAME: PREAMP SCHEMATIC
ORIGINAL ISSUED:		8/21/98	DRAWING NO. 07S538-22
PLOT DATE:		12/16/98	REV. 0_
PLOT TIME:		12:59:40	SCALE: ~
FILE NAME:		53822h0_	SHEET: 2 OF 2