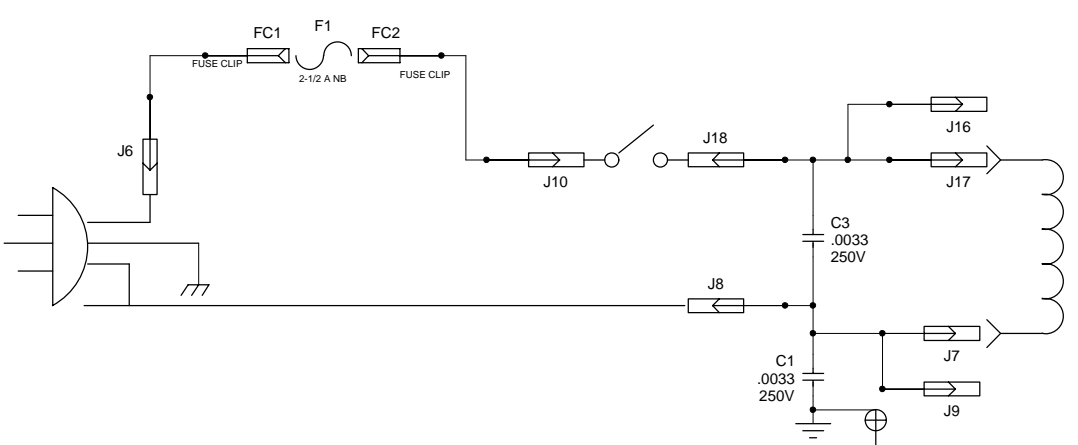
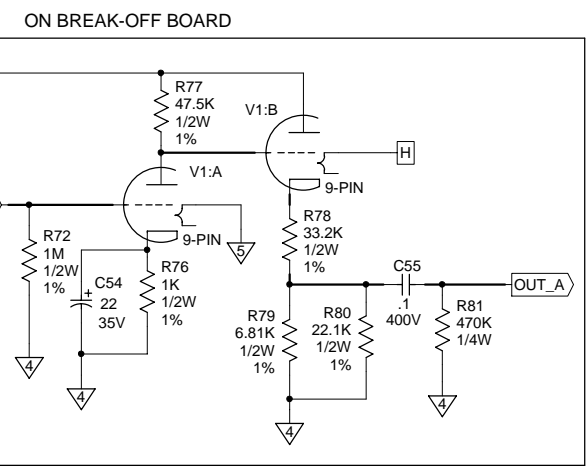
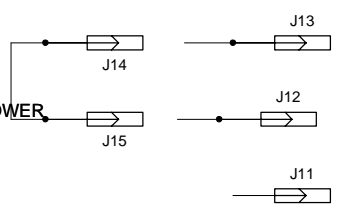


Power Table		
RefDes	-16V	+16V
IC1	4	8
IC2	4	8
U3	4	8
U4	4	8
U5	4	8

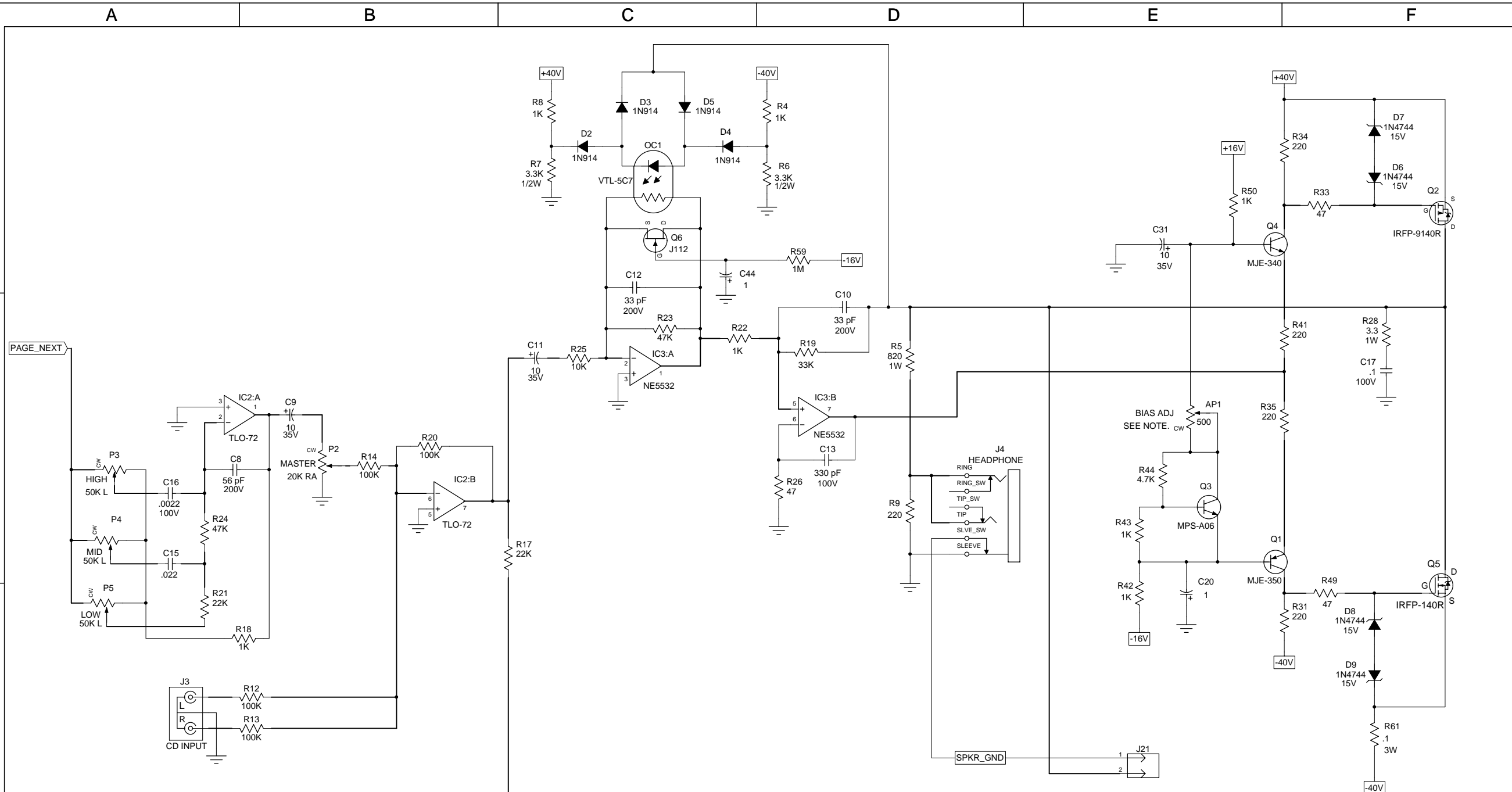


CAUTION:
THIS SCHEMATIC IS PROVIDED FOR USE BY QUALIFIED PERSONNEL. TO AVOID RISK OF ELECTRIC SHOCK, REFER SERVICING TO QUALIFIED SERVICE PERSONNEL. DO NOT PERFORM ANY SERVICING BEYOND THAT EXPLAINED IN THE OPERATING INSTRUCTIONS.

- NOTES:**
- 1) CAUTION: SHOCK HAZARD!! THIS UNIT CONTAINS HAZARDOUS VOLTAGE. DISCONNECT POWER AND BE SURE POWER SUPPLY IS DISCHARGED BEFORE TOUCHING INTERNAL PARTS.
 - 2) UNLESS NOTED, RESISTOR VALUES IN OHMS, 1/4W-5% TOL. CAPACITOR VALUES IN MICROFARADS, 50V-10% TOL.
 - 3) VOLTAGES ARE MEASURED WITH 1 MEGOHM OSCILLOSCOPE AND 10 MEGOHM DIGITAL VOLTMETER.



0	02/08/06	CONTROL ISSUE					
A	08/04/05	INITIAL ISSUE					
REV	Date	DESCRIPTION	Ecr(s)/Ecn(s)	Chgd By	Appvd by	Date	
THE INFORMATION CONTAINED ON THIS DRAWING IS PROPRIETARY TO ST. LOUIS MUSIC, INC.							
Signatures:			Date:		 11880 Borman Drive, St. Louis, MO 63146		
Drawn: OK		08/04/05		First Used On:			
Checked:							
Released:							
Tolerance:		Drawing Size: C		Drawing Title: SCHEMATIC -BASS AMP			
		Drawing Type: Schematic		Drawing Number: 07S338			
		Class Code: NONE					
Sheet 1 of 2							



ASSY P/N 07-338-01

NOTE: BIAS SETTING AS FOLLOWS;
 SET AP1 BIAS ADJUST CONTROL
 FOR 5mV ACROSS R61 WITH
 NO SIGNAL APPLIED, NO LOAD.

CAUTION:
 THIS SCHEMATIC IS PROVIDED FOR USE BY QUALIFIED PERSONNEL.
 TO AVOID RISK OF ELECTRIC SHOCK, REFER SERVICING TO QUALIFIED
 SERVICE PERSONNEL. DO NOT PERFORM ANY SERVICING BEYOND
 THAT EXPLAINED IN THE OPERATING INSTRUCTIONS.

NOTES:
 1) CAUTION: SHOCK HAZARD!!
 THIS UNIT CONTAINS HAZARDOUS VOLTAGE. DISCONNECT POWER
 AND BE SURE POWER SUPPLY IS DISCHARGED BEFORE
 TOUCHING INTERNAL PARTS.
 2) UNLESS NOTED, RESISTOR VALUES IN OHMS, 1/4W-5% TOL.
 CAPACITOR VALUES IN MICROFARADS, 50V-10% TOL.
 3) VOLTAGES ARE MEASURED WITH 1 MEGOHM OSCILLOSCOPE
 AND 10 MEGOHM DIGITAL VOLTMETER.

0	02/08/06	CONTROL ISSUE				
A	08/04/05	INITIAL ISSUE				
REV	Date	DESCRIPTION	Ecr(s)/Ecrn(s)	Chgd By	Appvd by	Date
THE INFORMATION CONTAINED ON THIS DRAWING IS PROPRIETARY TO ST. LOUIS MUSIC, INC.						
Signatures:		Date:		 11880 Borman Drive, St. Louis, MO 63146		
Drawn: OK		08/04/05				
Checked:				First Used On:		
Released:				Drawing Title: SCHEMATIC -BASS AMP		
Tolerance:		Drawing Size: C		Drawing Number: 07S338		
		Drawing Type: Schematic				
		Class Code: NONE				
		Sheet 2 of 2				