

7

6

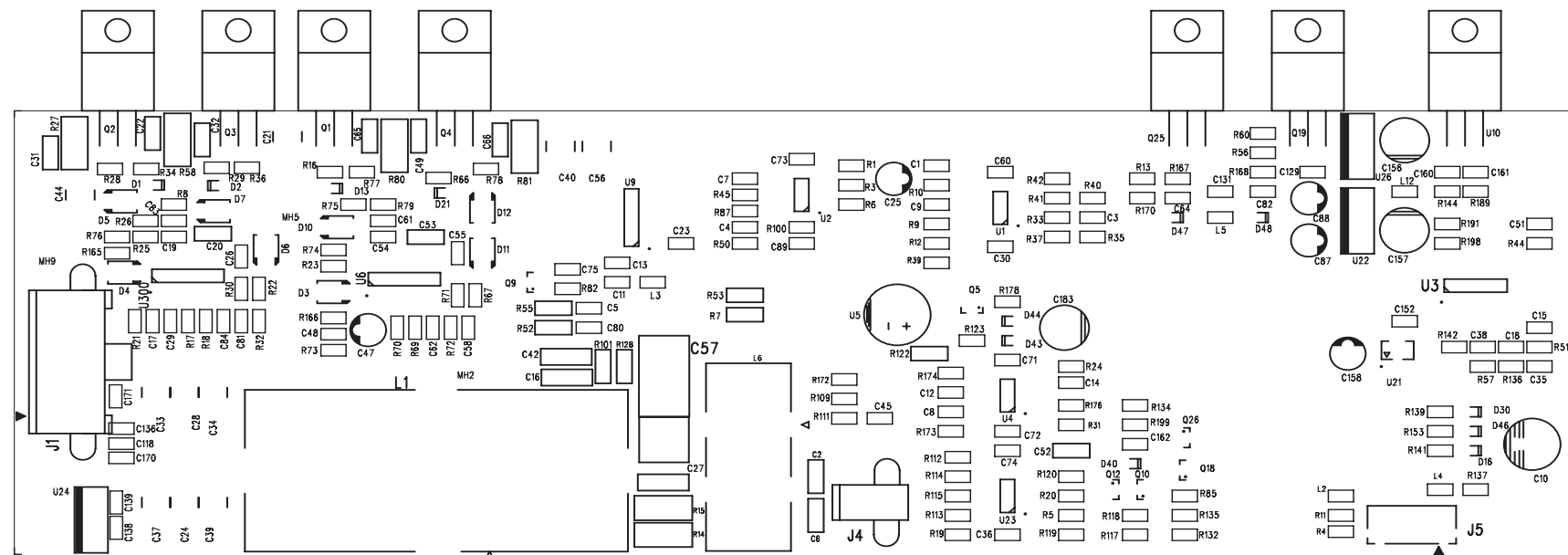
5

4

3

1

REVISIONS					
ECO#	REV:	DESCRIPTION	REV. BY:	APP. BY:	DATE



APPROVALS	DATE
DRAWN: RB	19-03-08
CHECKED:	
MP ENGINEERING:	
MATERIAL:	
MANUFACTURING:	
MFG ENGINEERING:	
ISSUED:	

LOUD
LOUD TECHNOLOGIES INC. WOODINVILLE, WA, USA

PCB ASSY, BA300/BA600 AMP

DWG. NO.	REV. B00
SHEET 1 OF 2	

THE INFORMATION CONTAINED HEREIN IS PROPRIETARY AND CONFIDENTIAL PROPERTY OF LOUD TECHNOLOGIES INC.

7

6

5

4

3

2

1



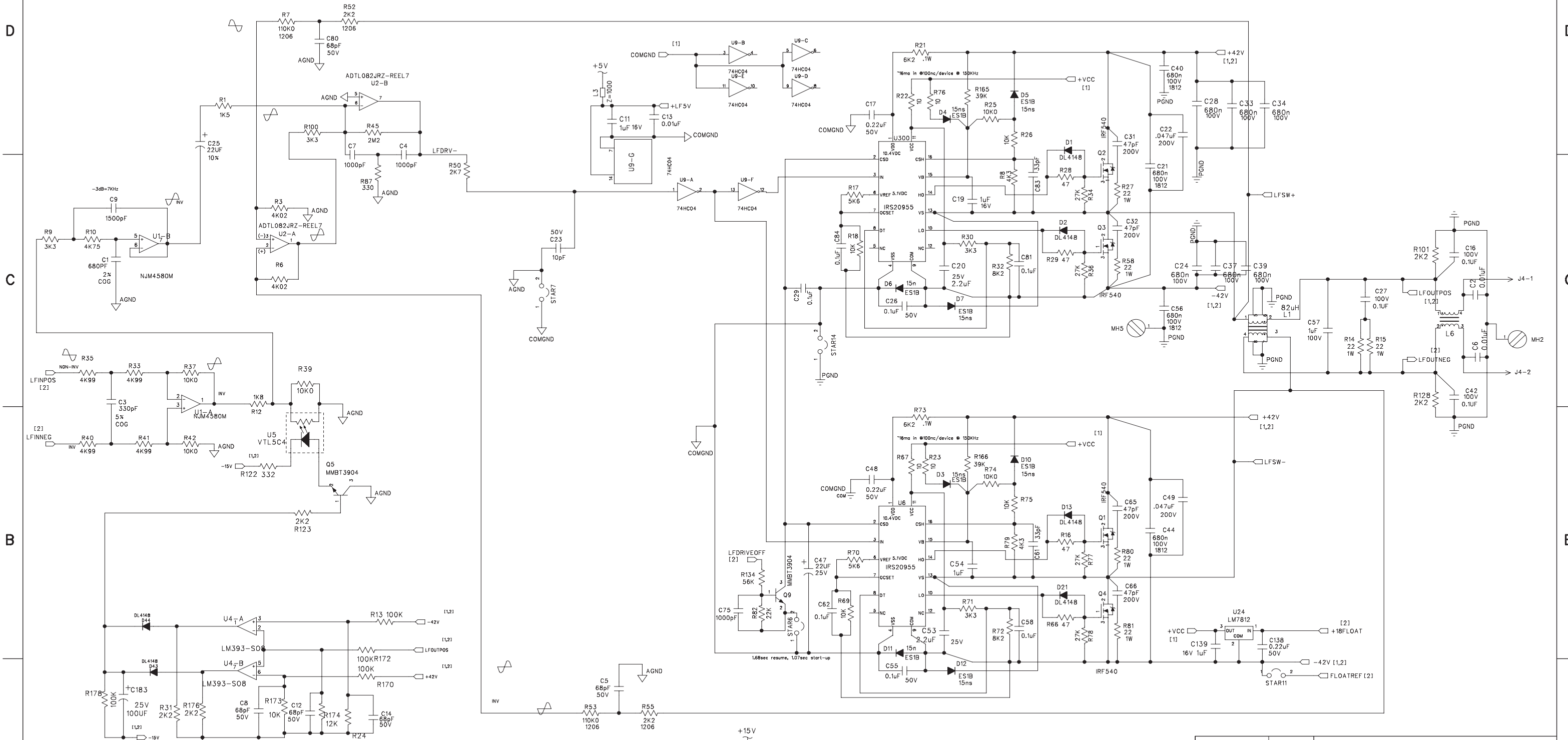
BA300/210

©2008 LOUD Technologies Inc. All rights reserved

Amplifier PCB Assemblies

PAGE 1

ECO/DSR#	REV:	DESCRIPTION	REV. BY:	DATE
ECOCHN0470	B00	CHANGE U2 FROM LM6172IM TO ADTL082JRZ-REEL7	Robert Ye	24/04/08



APPROVALS		DATE	 TECHNOLOGIES INC. WHITINSVILLE MA. USA	
DRAWN: Robert Ye		24/04/08		
CHECKED:			MATERIAL:	
NP ENG:			MFG:	
MFG ENG:			MFG ENG:	
ISSUED:			ISSUED:	
SIZE	SCALE:	DWG. NO.	REV.	
D	NONE	0028737-00	B00	
DWG FILE:		SHEET		1 OF 2

©2006 LOUD TECHNOLOGIES INC.
 ALL RIGHTS RESERVED
 THE INFORMATION CONTAINED HEREIN
 IS PROPRIETARY AND CONFIDENTIAL
 PROPERTY OF LOUD TECHNOLOGIES INC.

PCB1 0028568-00
 PCB FAB AMP BA300/BA600

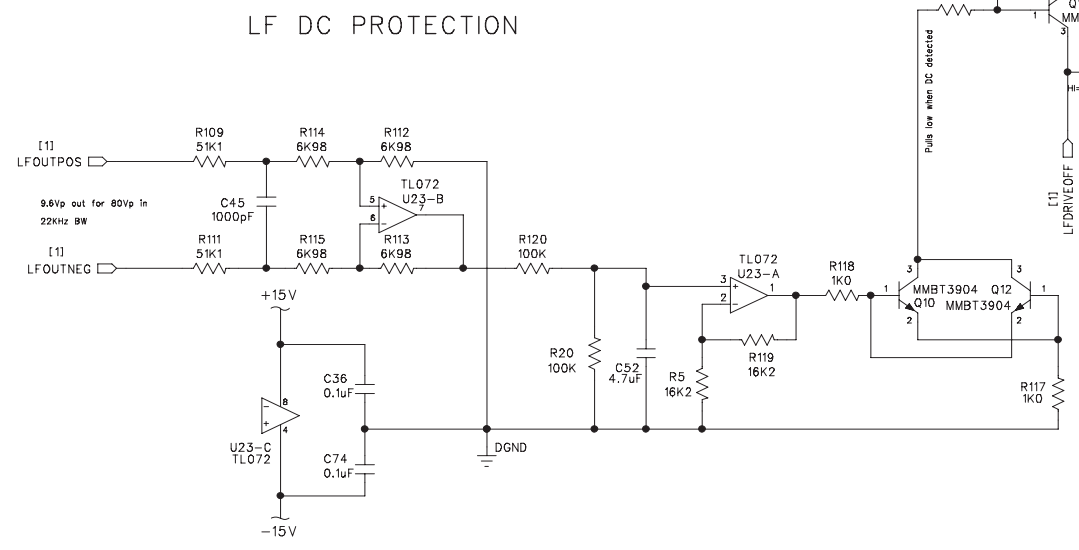
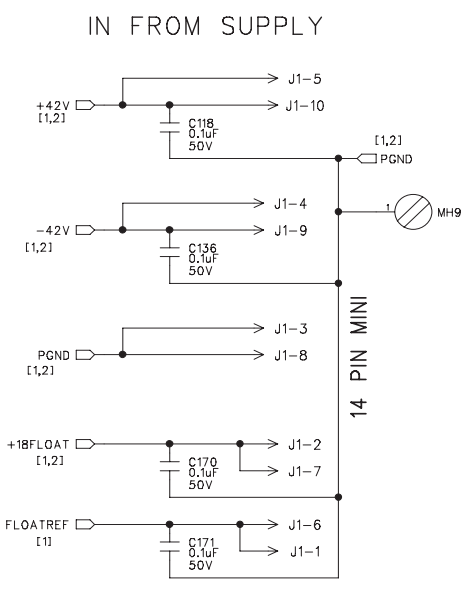
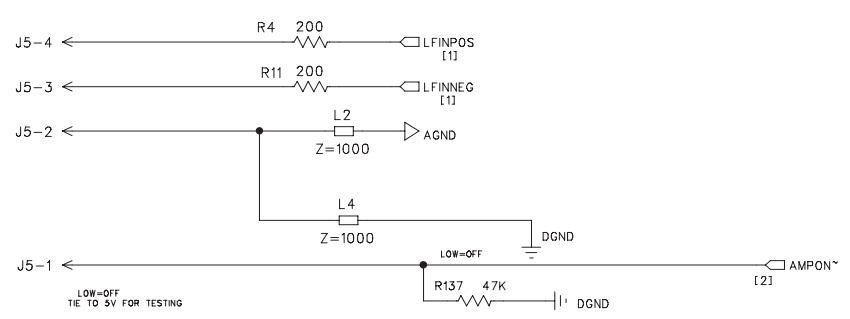
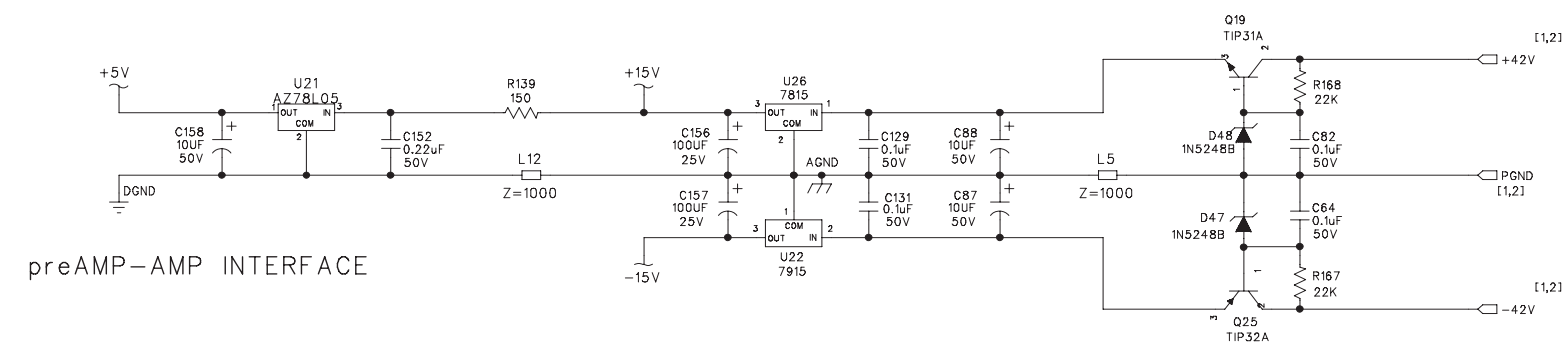


BA300/210

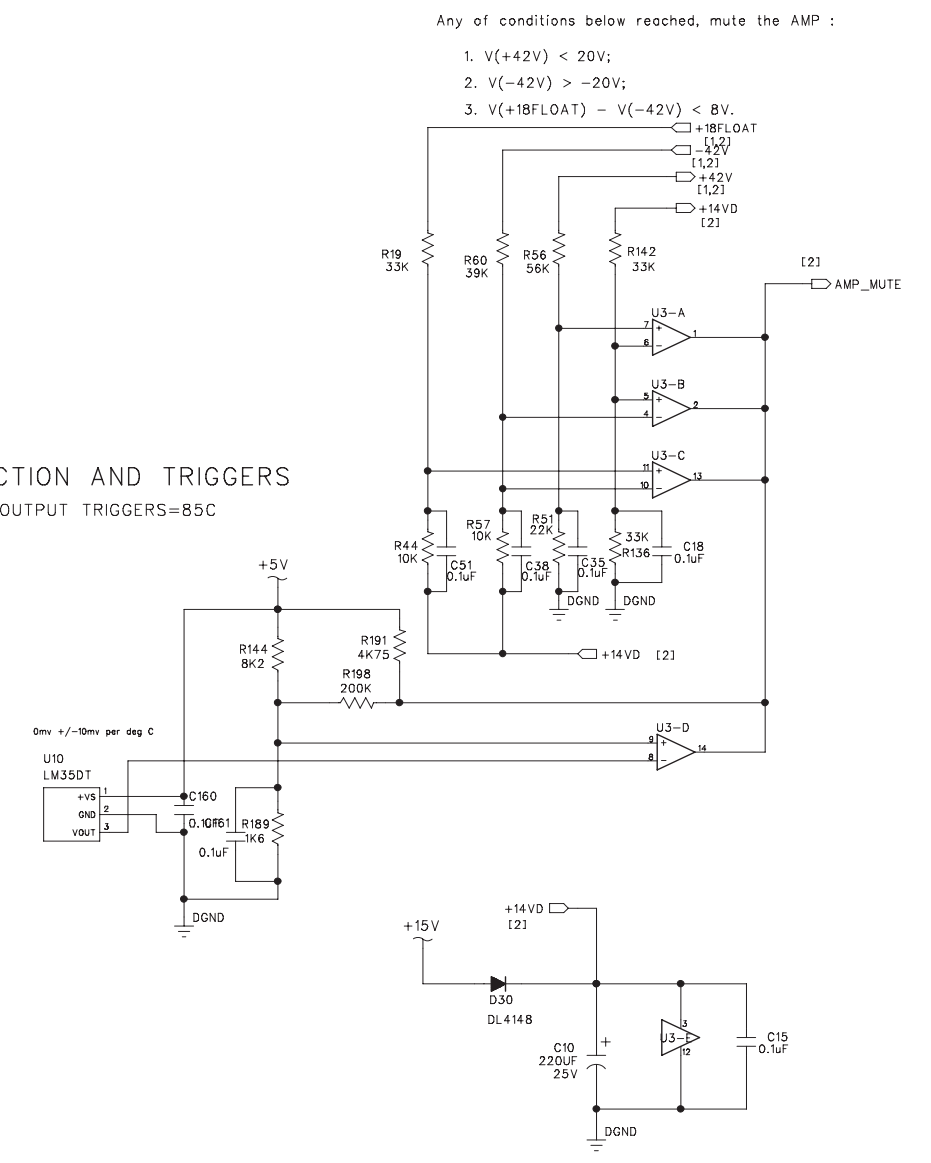
©2008 LOUD Technologies Inc. All rights reserved

Amplifier PCB Assemblies

PAGE 2



THERMAL DETECTION AND TRIGGERS
 OUTPUT PARADIGM: OUTPUT TRIGGERS=85C



APPROVALS	DATE	 TECHNOLOGIES INC. WHITINSVILLE MA. USA
DRAWN: Robert Ye	24/04/08	
CHECKED:		SCHEMATIC, BA300/BA600 AMP.
NP ENG:		
MATERIAL:		SIZE: D SCALE: NONE DWG. NO. 0028737-00 REV. B00 DWG FILE: SHEET 2 OF 2
MFG:		
MFG ENG:		
ISSUED:		

©2006 LOUD TECHNOLOGIES INC.
 ALL RIGHTS RESERVED
 THE INFORMATION CONTAINED HEREIN
 IS PROPRIETARY AND CONFIDENTIAL
 PROPERTY OF LOUD TECHNOLOGIES INC.