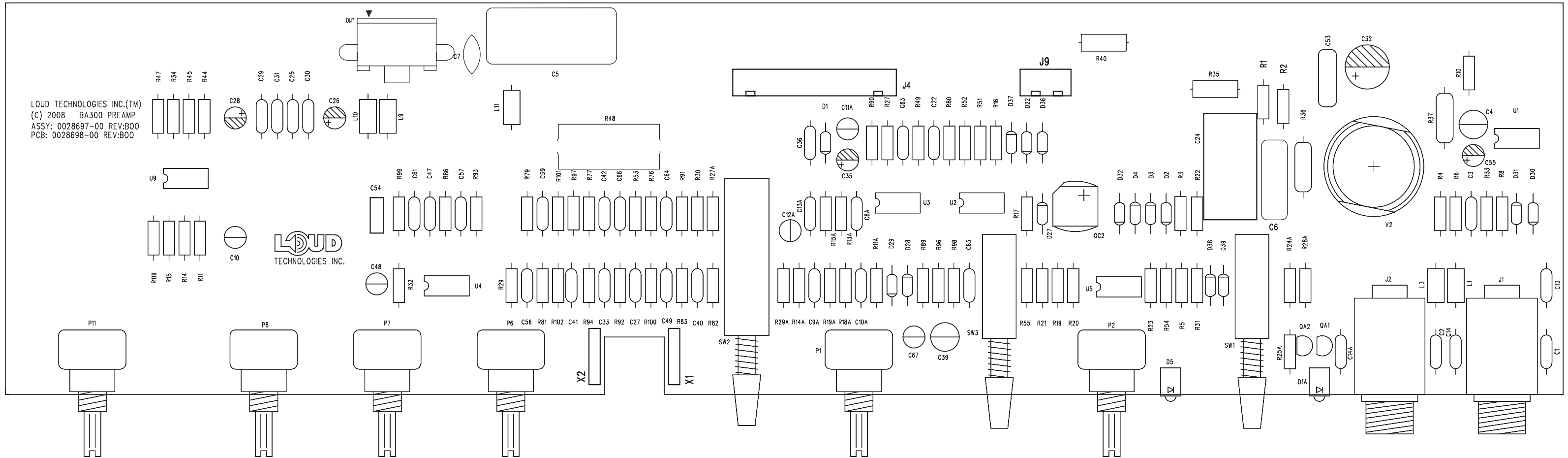
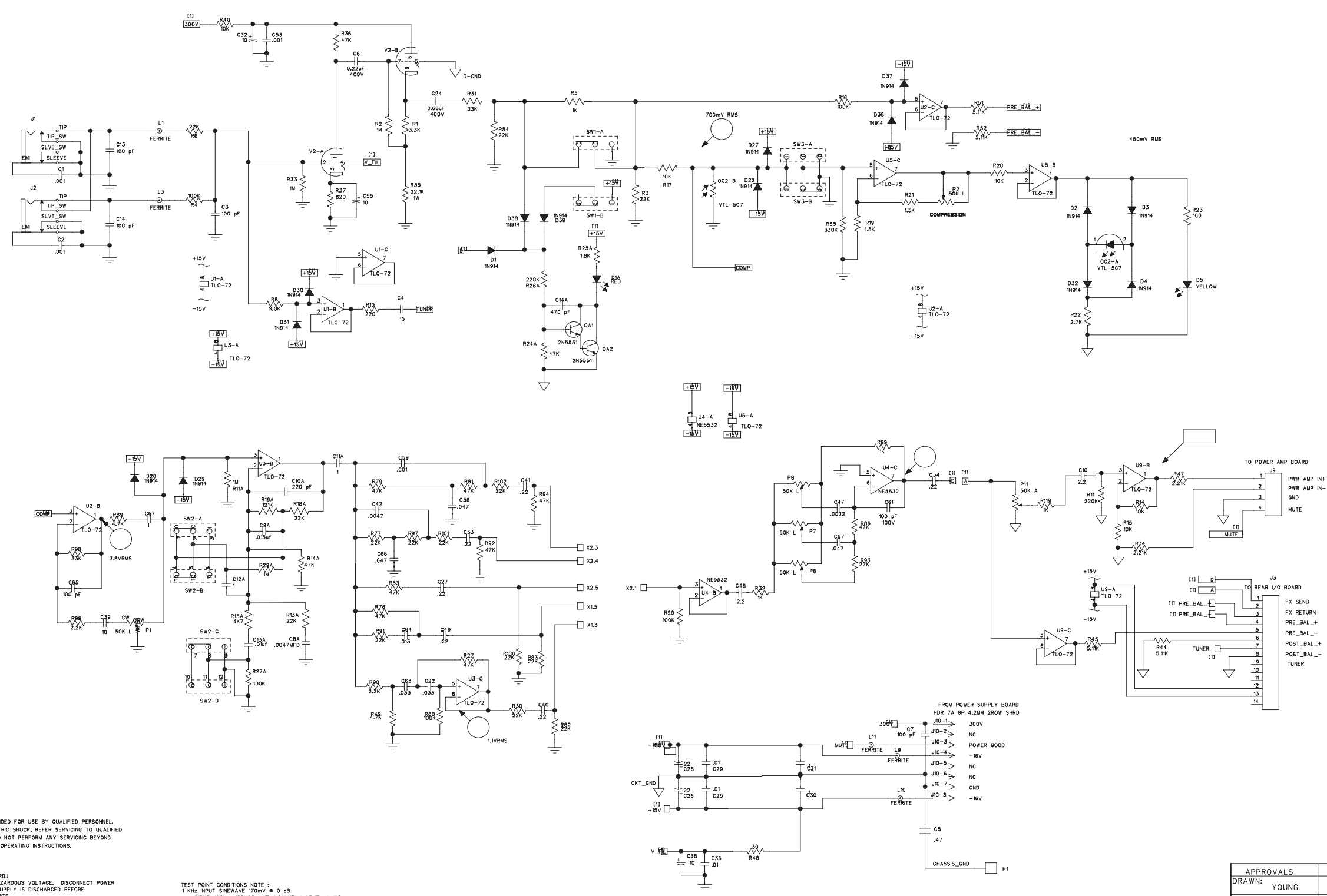


LOUD TECHNOLOGIES INC.(TM)
 (C) 2008 BA300 PREAMP
 ASSY: 0028697-00 REV:800
 PCB: 0028698-00 REV:800



OVERALL FINISH THICKNESS: 1.6mm +/- .125mm
 DOUBLE SIDE PCB

ECO/DSR	REV:	DESCRIPTION	REV. BY:	DATE
ECOCHN0360	A00	RELEASE TO PRODUCTION	YOUNG	2008-01-22
ECOCHN0393	B00	JUST ROLL TO B00 TO GO WITH THE PCB ASSY REVISION	YOUNG	2008-03-05



CAUTION:
THIS SCHEMATIC IS PROVIDED FOR USE BY QUALIFIED PERSONNEL.
TO AVOID RISK OF ELECTRIC SHOCK, REFER SERVICING TO QUALIFIED
SERVICE PERSONNEL. DO NOT PERFORM ANY SERVICING BEYOND
THAT EXPLAINED IN THE OPERATING INSTRUCTIONS.

- NOTES:
- 1) CAUTION: SHOCK HAZARD!
THIS UNIT CONTAINS HAZARDOUS VOLTAGE. DISCONNECT POWER
AND BE SURE POWER SUPPLY IS DISCHARGED BEFORE
TOUCHING INTERNAL PARTS.
 - 2) UNLESS NOTED, RESISTOR VALUES IN OHMS, 1/4W-5% 10L.
CAPACITOR VALUES IN MICROFARADS, 50V-50K TOL.
 - 3) VOLTAGES ARE MEASURED WITH 1 MEGOHM OSCILLOSCOPE
AND 10 MEGOHM DIGITAL VOLTMETER.

TEST POINT CONDITIONS NOTE:
1 KHZ INPUT SINEWAVE 170mV @ 0 dB
INPUT JACK. 120VAC LINE, VOLUME & LEVEL @ "10"
TONES @ "5". DC VOLTAGES WITH NO SIGNAL APPLIED.

PCB1 0021553-00
PCB Fab B300 Preamp

APPROVALS	DATE
DRAWN: YOUNG	5.03.08
CHECKED:	
NP ENG:	
MATERIAL:	
MFG:	
MFG ENG:	
ISSUED:	

LOUD
TECHNOLOGIES INC. WOODINVILLE WA. USA

BA300 PREAMP

SIZE	SCALE:	DWG. NO.	REV.
D	NONE	0028697-00	B00
DWG FILE:		SHEET 1 OF 1	

©2006 LOUD TECHNOLOGIES INC.
ALL RIGHTS RESERVED
THE INFORMATION CONTAINED HEREIN
IS PROPRIETARY AND CONFIDENTIAL
PROPERTY OF LOUD TECHNOLOGIES INC.