

Power Table		
RefDes	-16V	+16V
IC1	4	8
IC2	4	8
U3	4	8
U4	4	8
U5	4	8

CAUTION:
THIS SCHEMATIC IS PROVIDED FOR USE BY QUALIFIED PERSONNEL TO AVOID RISK OF ELECTRIC SHOCK, REFER SERVICING TO QUALIFIED SERVICE PERSONNEL. DO NOT PERFORM ANY SERVICING BEYOND THAT EXPLAINED IN THE OPERATING INSTRUCTIONS.

- NOTES:**
- 1) CAUTION: SHOCK HAZARD!! THIS UNIT CONTAINS HAZARDOUS VOLTAGE. DISCONNECT POWER AND BE SURE POWER SUPPLY IS DISCHARGED BEFORE TOUCHING INTERNAL PARTS.
 - 2) UNLESS NOTED, RESISTOR VALUES IN OHMS, 1/4W-5% TOL. CAPACITOR VALUES IN MICROFARADS, 50V-10% TOL.
 - 3) VOLTAGES ARE MEASURED WITH 1 MEGOHM OSCILLOSCOPE AND 10 MEGOHM DIGITAL VOLTMETER.

REV	Date	DESCRIPTION	Ecr(s)/Ecn(s)	Chgd By	Appvd by	Date
1	7/28/99	SWAPPED J21 PINS 1 & 2, COONNECTED J21 TO HEADPH GS TO DETACH FROM MAIN GND	N00062			
0	7/01/99	CONTROL ISSUE	R990512-01	REM		
0	7/01/99	CONTROL ISSUE	ECR00047	REM		

Signatures: Drawn: OK Checked: - Released: -		Date: 1/14/99 First Used On:
Tolerance: Drawing Size: C Drawing Type: Schematic Class Code: NONE Sheet 1 of 2		Drawing Title: SCHEMATIC -BASS AMP Drawing Number: 07S103-XX

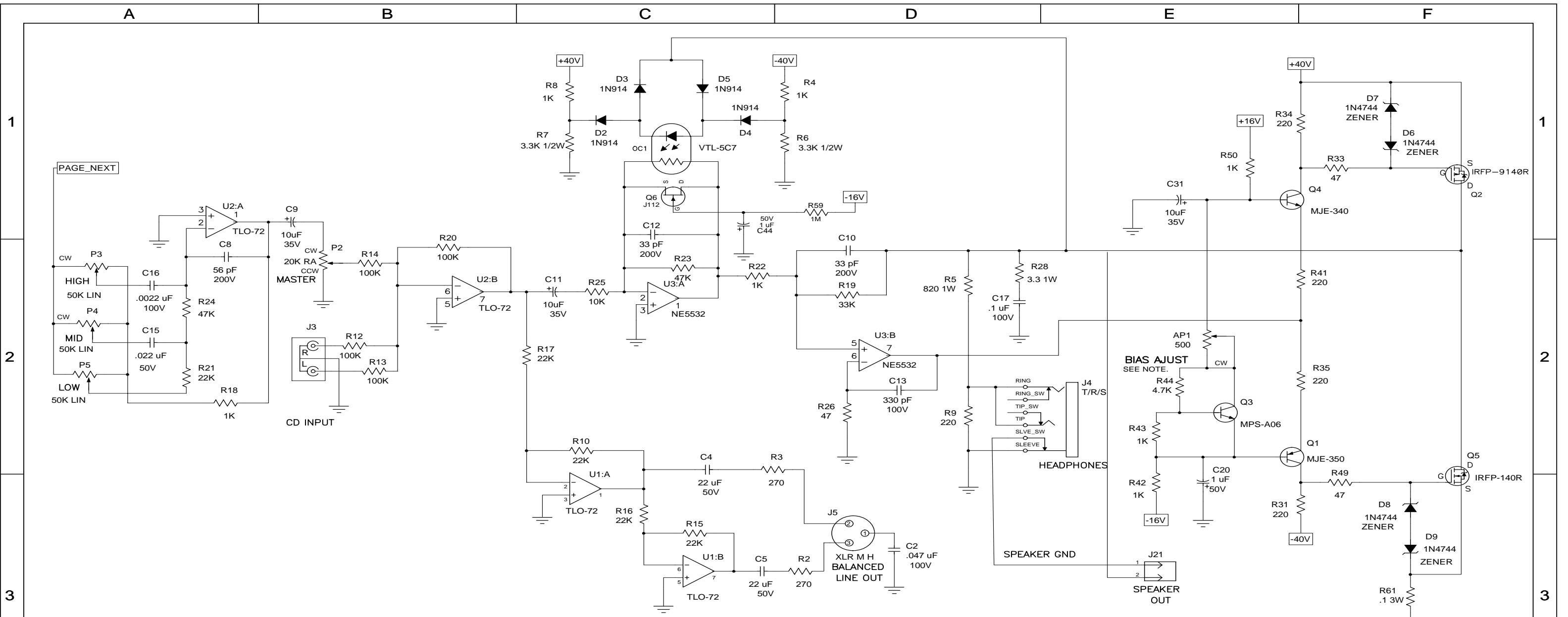


BA115

©2007 LOUD Technologies Inc. All rights reserved

Bass Amplifier PCB Schematics (BA115a)

PAGE 1



NOTE: R11 & C7 DESIGNATORS ARE NOT USED.

NOTE: BIAS SETTING AS FOLLOWS:
 SET AP1 BIAS ADJUST CONTROL
 FOR 5mV ACROSS R61 WITH
 NO SIGNAL APPLIED, NO LOAD.

CAUTION:
 THIS SCHEMATIC IS PROVIDED FOR USE BY QUALIFIED PERSONNEL.
 TO AVOID RISK OF ELECTRIC SHOCK, REFER SERVICING TO QUALIFIED
 SERVICE PERSONNEL. DO NOT PERFORM ANY SERVICING BEYOND
 THAT EXPLAINED IN THE OPERATING INSTRUCTIONS.

NOTES:
 1) CAUTION: SHOCK HAZARD!!
 THIS UNIT CONTAINS HAZARDOUS VOLTAGE. DISCONNECT POWER
 AND BE SURE POWER SUPPLY IS DISCHARGED BEFORE
 TOUCHING INTERNAL PARTS.
 2) UNLESS NOTED, RESISTOR VALUES IN OHMS, 1/4W-5% TOL.
 CAPACITOR VALUES IN MICROFARADS, 50V-10% TOL.
 3) VOLTAGES ARE MEASURED WITH 1 MEGOHM OSCILLOSCOPE
 AND 10 MEGOHM DIGITAL VOLTMETER.

ASSY P/N 07-103-02

1	7/28/99	SWAPPED J21 PINS 1 & 2, COONNECTED J21 TO HEADPH GS TO DETACH FROM MAIN GND	N00062	REM		
0	7/01/99	CONTROL ISSUE	R990512-01			
0	7/01/99	CONTROL ISSUE	ECR00047	REM	-	
REV	Date	DESCRIPTION	Ecr(s)/Ecn(s)	Chgd By	Appvd by	Date

THE INFORMATION CONTAINED ON THIS DRAWING IS PROPRIETARY TO ST. LOUIS MUSIC, INC

Signatures:		Date:	 11880 Borman Drive, St. Louis, MO 63146
Drawn:	OK	1/14/99	
Checked:	-	-	First Used On:
Released:			BA115a
Tolerance:	Drawing Size: C	Drawing Title: SCHEMATIC -BASS AMP	
	Drawing Type: Schematic	Drawing Number: 07S103-XX	
	Class Code: NONE		
	Sheet 2 of 2		