

| DESIGNATOR | DESCRIPTION         | PART NO.  |
|------------|---------------------|-----------|
| R1         | 20ohm 10W           | 78-200-10 |
| R2         | 10ohm 10W           | 78-100-10 |
| C1         | 2.2uF 100V          | 12-225-82 |
| L1         | .3mH COIL IRON      | 94-131-01 |
| L2         | 4mH 8A COIL         | 94-184-01 |
| J1         | 112APC 1/4" JACK    | 39-012-01 |
| J2, J3     | .187" PC TAB        | 17-894-01 |
| J4         | 4 PIN RA LDC HEADER | 17-313-04 |
| J5         | 2 PIN RA LDC HEADER | 17-313-02 |
| J6         | .250" PC TAB        | 17-836-01 |
| @S1        | DP3T ROTARY SWITCH  | 88-203-05 |

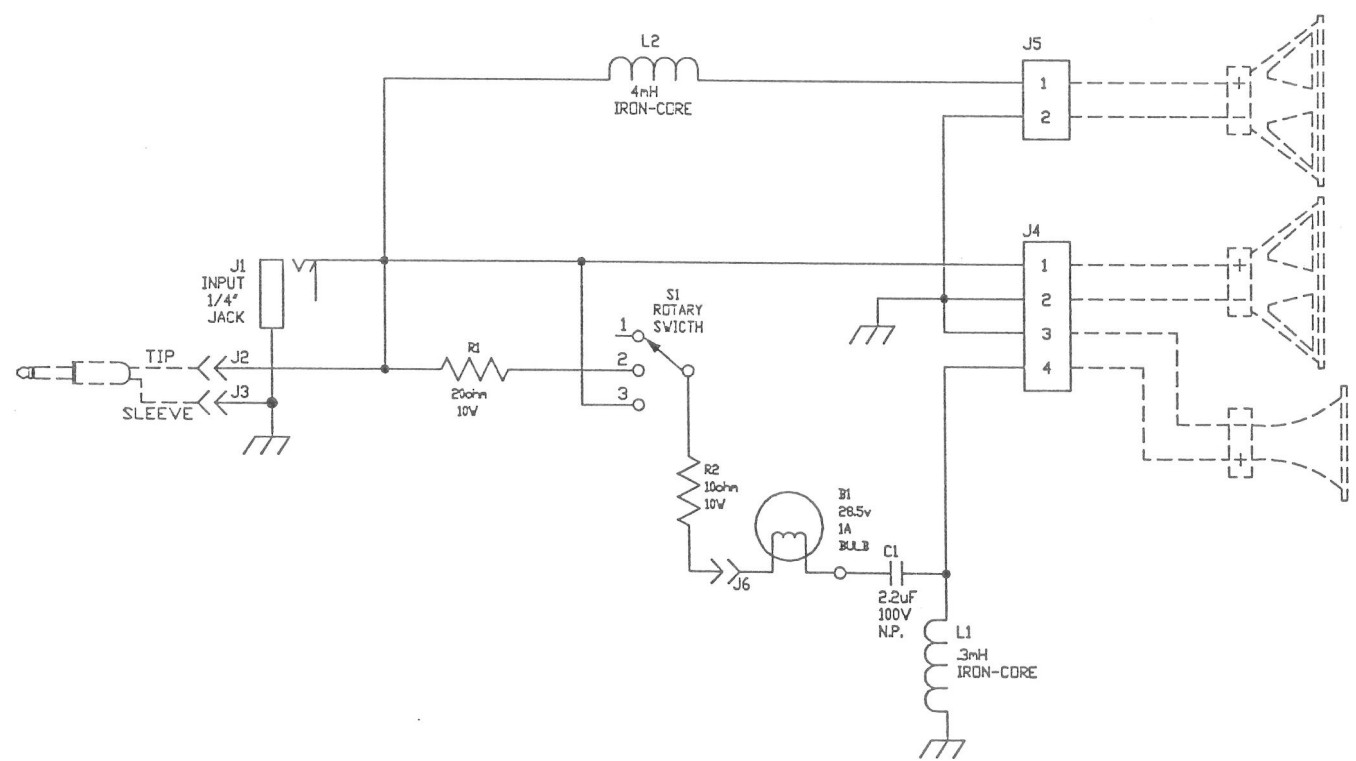
| QTY | DESCRIPTION                | PART NO.  |
|-----|----------------------------|-----------|
| 2   | 1/2" DIA. NYLON SPACER     | 85-929-01 |
| 2   | 10-32 X 1 1/4" NYLON SCREW | 30-895-01 |
| 2   | 10-32 NYLON LOCKNUT        | 30-896-01 |

SVR-215 JACKPLATE ASSEMBLY  
#16-729-71

| PART NUMBER | DESCRIPTION               | QTY |
|-------------|---------------------------|-----|
| 15-318-51   | SVR-215 JACKPLATE         | 1   |
| 30-300-01   | 1/4" NUT & WASHER SET     | 1   |
| 30-380-01   | 3/8" INT TOOTH LOCKWASHER | 1   |
| 30-631-01   | #6 INT LOCKWASHER         | 1   |
| 30-638-53   | 6-32 X 3/8" PPH SCREW     | 8   |
| 30-700-01   | 6-32 HEX KEPNUT           | 2   |
| 45-050-01   | ELEC HARDWARE #232 KNOB   | 1   |
| 49-202-01   | 28.5V 1A INCAND. LAMP     | 1   |
| 81-115-01   | X-OVER SWITCH GASKET      | 1   |
| 85-132-01   | 1" HEX STANDOFF           | 3   |
| 97-120-01   | LAMP SOCKET ASSEMBLY      | 1   |
| 85-005-01   | BLACK STRAIN RELIEF       | 1   |
| 99-250-02   | 1/4" PLUG W/ WIRE         | 1   |

DD-12/15 JACKPLATE ASSEMBLY  
#16-733-01

| PART NUMBER | DESCRIPTION               | QTY |
|-------------|---------------------------|-----|
| 15-315-21   | DD-12/15 JACKPLATE        | 1   |
| 30-300-01   | 1/4" NUT & WASHER SET     | 1   |
| 30-380-01   | 3/8" INT TOOTH LOCKWASHER | 1   |
| 30-631-01   | #6 INT LOCKWASHER         | 1   |
| 30-638-53   | 6-32 X 3/8" PPH SCREW     | 8   |
| 30-700-01   | 6-32 HEX KEPNUT           | 2   |
| 45-050-01   | ELEC HARDWARE #232 KNOB   | 1   |
| 49-202-01   | 28.5V 1A INCAND. LAMP     | 1   |
| 81-115-01   | X-OVER SWITCH GASKET      | 1   |
| 85-132-01   | 1" HEX STANDOFF           | 3   |
| 97-120-01   | LAMP SOCKET ASSEMBLY      | 1   |



| 3                | 10/15/92 | MGA      |       | ADD PARTS LIST FOR DD-12/15                     |
|------------------|----------|----------|-------|---|
| ②                | 3/24/92  | SWR      |       | CHANGED ROTARY SWITCH                           |
| 1                | 01/02/92 | SWR      |       | REDESIGN  |
| REV              | DATE     | BY       | CHK'D | DESCRIPTION                                     |
| SIGNATURES:      |          | DATE:    |       | 1880 BORMAN DR.<br>ST. LOUIS, MISSOURI<br>63143 |
| DRAWN: MGA       |          | 06/07/91 |       |   |
| CHK'D: DKS       |          | 06/07/91 |       | PROJECT NAME:                                   |
| APP'D: DKS       |          | 06/07/91 |       | SVR-212/215 DD-12/15 BAS CABINET                |
| ORIGINAL ISSUED: |          | 06/14/91 |       | DRAWING NAME:                                   |
| PLOT DATE:       |          | 10/14/92 |       | CROSS-OVER BD.                                  |
| PLOT TIME:       |          | 14:28:23 |       | DRAWING NO. 07-729-71                           |
| FILE NAME:       |          | P729712  |       | SCALE: 2:1 SHEET: 1 OF 1                        |