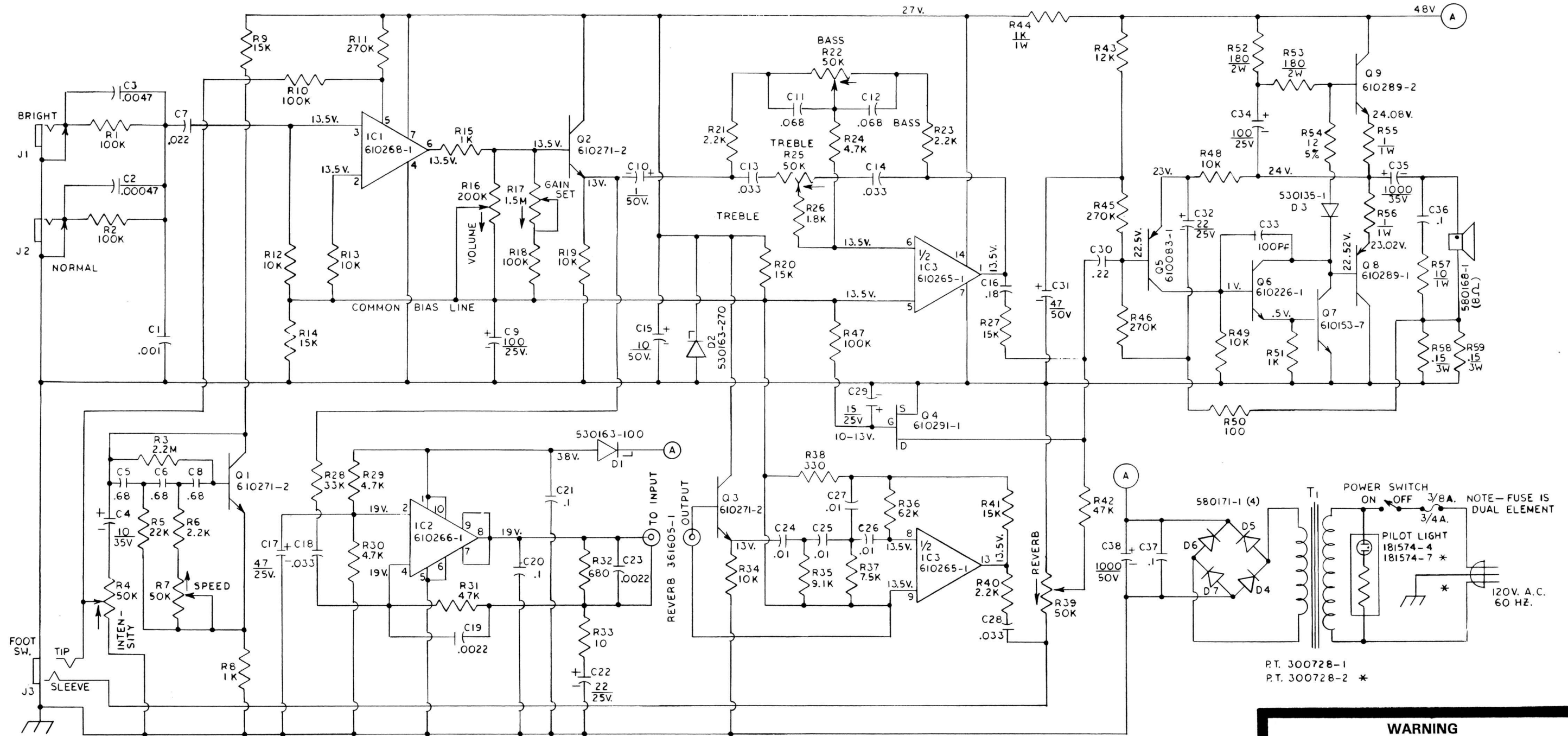


MODEL G110 SCHEMATIC



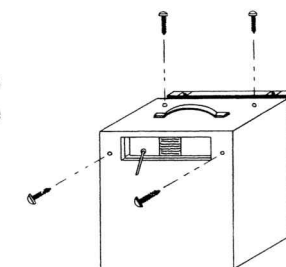
NOTES — UNLESS OTHERWISE SPECIFIED

1. Capacitance values are in microfarads, 10%, 100V.
2. Resistance values are in Ohms, 10%, 1/2W.
3. D.C. voltage readings taken with no signal applied and are positive with respect to chassis ground.
4. **Alignment:**
With volume max, bass and treble at mid position, and reverb and tremolo min., apply a 0.01 VAC 1 kHz. signal to the normal input jack. Adjust R17 for 10 VAC at output terminals with an 8 Ohm. nonreactive load.

5. **Hum and Noise:**
Volume max., tone controls mid, others min. $E_o = 25$ mV max.
Volume min., tone controls mid, others min. $E_o = 5$ mV max.
6. Arrow indicates clockwise rotation of potentiometer. (Trimmer viewed from knob side).
- *7. Parts indicated with asterisk are used on 240V export versions only.
8. Actual circuit may vary slightly due to normal production changes.

MECHANICAL DISASSEMBLY

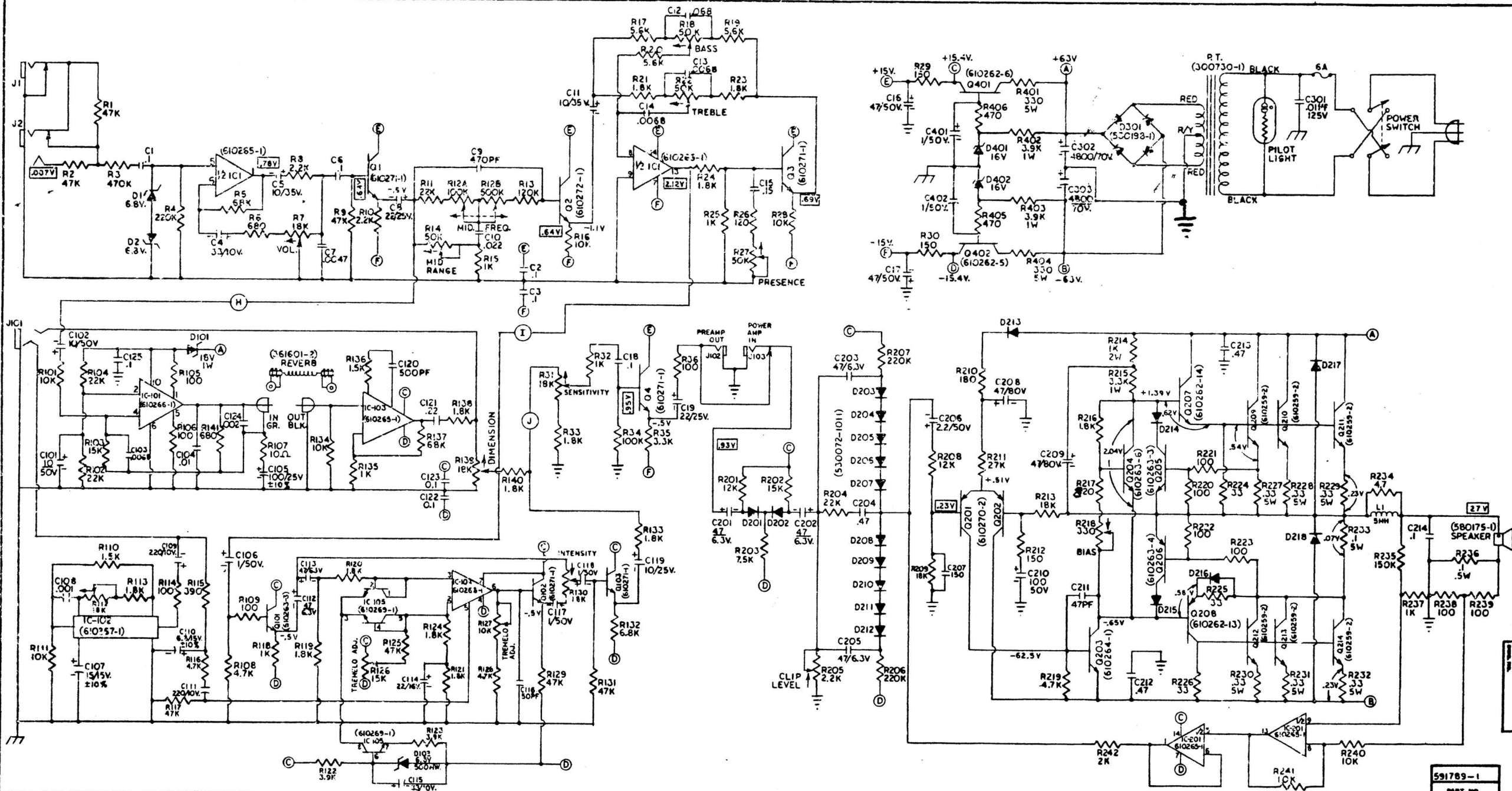
1. Remove baffle by placing fingers under lower right corner of logo and pulling straight out.
2. Remove the four chassis mounting screws shown in the diagram. (Chassis can be slid half way out the front of the cabinet to check the fuse).
3. Disconnect speaker by reaching through vent hole and pulling the lead clips off the speaker terminals.
4. Slide chassis out the front of the cabinet.



R.T. 300728-1
R.T. 300728-2 *

WARNING

For maximum safety, reliability and performance, all parts must be replaced by those having identical specifications. Under no circumstances may the original design be modified or altered without permission from the Ampeg Company.



| | |
|--|---|
| <p>NOTES: UNLESS OTHERWISE SPECIFIED</p> <ol style="list-style-type: none"> CAPACITANCE VALUES ARE IN MICROFARADS, 10%, 250V. RESISTORS ARE 1/2W, 10% COMPOSITION. DC VOLTAGES TAKEN WITH NO SIGNAL APPLIED USING A 20,000 OHM/VOLT VOLTMETER. TYPICAL SIGNAL VOLTAGES SHOWN IN BOXES. SEMICONDUCTORS ARE SELECTED. UNSELECTED REPLACEMENTS MAY EXHIBIT IMPROPER OPERATION OR SHORT LIFE. ACTUAL CIRCUIT MAY VARY SLIGHTLY DUE TO NORMAL PRODUCTION CHANGES. NUMBERS IN PARENTHESES ARE AMPER PART NUMBERS. | <p>591789-1</p> <p>PART NO.</p> |
| | <p>THE AMPEX COMPANY</p> <p>DIVISION OF THE MAGNAVOX COMPANY</p> |
| | <p>SCHMATIC</p> |
| | <p>DATE: 2-22-78</p> <p>DESIGNED BY: L. STROUD</p> <p>SCALE: PER G115</p> |
| <p>THIS MATERIAL IS THE PROPERTY OF AND PROPRIETARY TO THE MAGNAVOX COMPANY AND IS NOT TO BE DISCLOSED TO OTHERS OR USED FOR OTHER THAN AUTHORIZED MAGNAVOX PURPOSES WITHOUT THE WRITTEN PERMISSION OF THE MAGNAVOX COMPANY. THIS MATERIAL MUST BE RETURNED TO THE MAGNAVOX COMPANY WHEN THE HOLDER NO LONGER REQUIRES IT FOR AUTHORIZED MAGNAVOX PURPOSES.</p> | |

RELEASED BY 1606
 5-22-78