
AMPEG SERVICE MANUAL

G115 AMPLIFIER

G115 AMPLIFIER SPECIFICATIONS

Power Output:

175 watts RMS at less than 10% total harmonic distortion (T.H.D.) into a 4 Ohm load over the 20 to 20,000 Hertz band.

Front Panel:

Two Inputs
Volume Control
Bass Control
Mid Range Control
Mid Frequency Control
Treble Control
Presence Control
Sensitivity Control
Reverb Control
Speed Control
Intensity Control
Pilot Light

Rear Panel:

Double Footswitch
3-Wire Line Cord
Patching Jacks (In and Out)
Power/Polarity Switch

Tone Control Range:

Bass ± 15 dB @ 60 Hz
Treble ± 15 dB @ 3500 Hz
Midrange +0 -15 dB @ Mid Freq.
Mid. Frequency 200 to 1000 Hz
Presence +15 -0 dB @ 10,000 Hz

Signal to Noise Ratio (S/N):

70 dB below full power

Input Sensitivity:

Input sensitivity is 0.007 volts for full power
Input impedance is 200K Ohms

Patching Facilities:

Power amplifier input jack is high impedance and 0.93 volts produces full power.
Preamp output jack is 2000 Ohms.

Power Supply Requirements:

(Standard) 100-130 volts 50/60 Hz 4 Amps
(Export) 200-260 volts 50/60 Hz 2 Amps

Safety Approvals:

Underwriters' Laboratories (UL)
Canadian Standards Association (CSA)

Circuitry:

Solid State with the exclusive Ampeg pentode simulator. The pentode simulator is a unique analog function generator used in the power amplifier section of the G115.

**Special Circuitry:**

The simulator monitors the load impedance, input signal frequency, and output level. From this information it modifies the output to simulate the response of pentode vacuum tubes, accurate in all aspects. The result is an amplifier featuring the vacuum tube sound yet with solid state reliability.

Construction:

Shielded for radio frequency (RF) rejection
.048" aluminum clad steel chassis with
 $\frac{1}{8}$ " aluminum back panel to heat sink the
output transistors.
Open back cabinet.
Heavy duty vinyl covering with chrome corner.
 $\frac{3}{4}$ " solid jointed core 7-ply plywood with
interlock construction and dovetailed
corners for greatest strength.
Flush mounted strap handle.

Speaker Complement:

Rear mounted high efficiency 15" speaker
with 3" voice coil and 192 oz. Alnico magnet.

Weight:

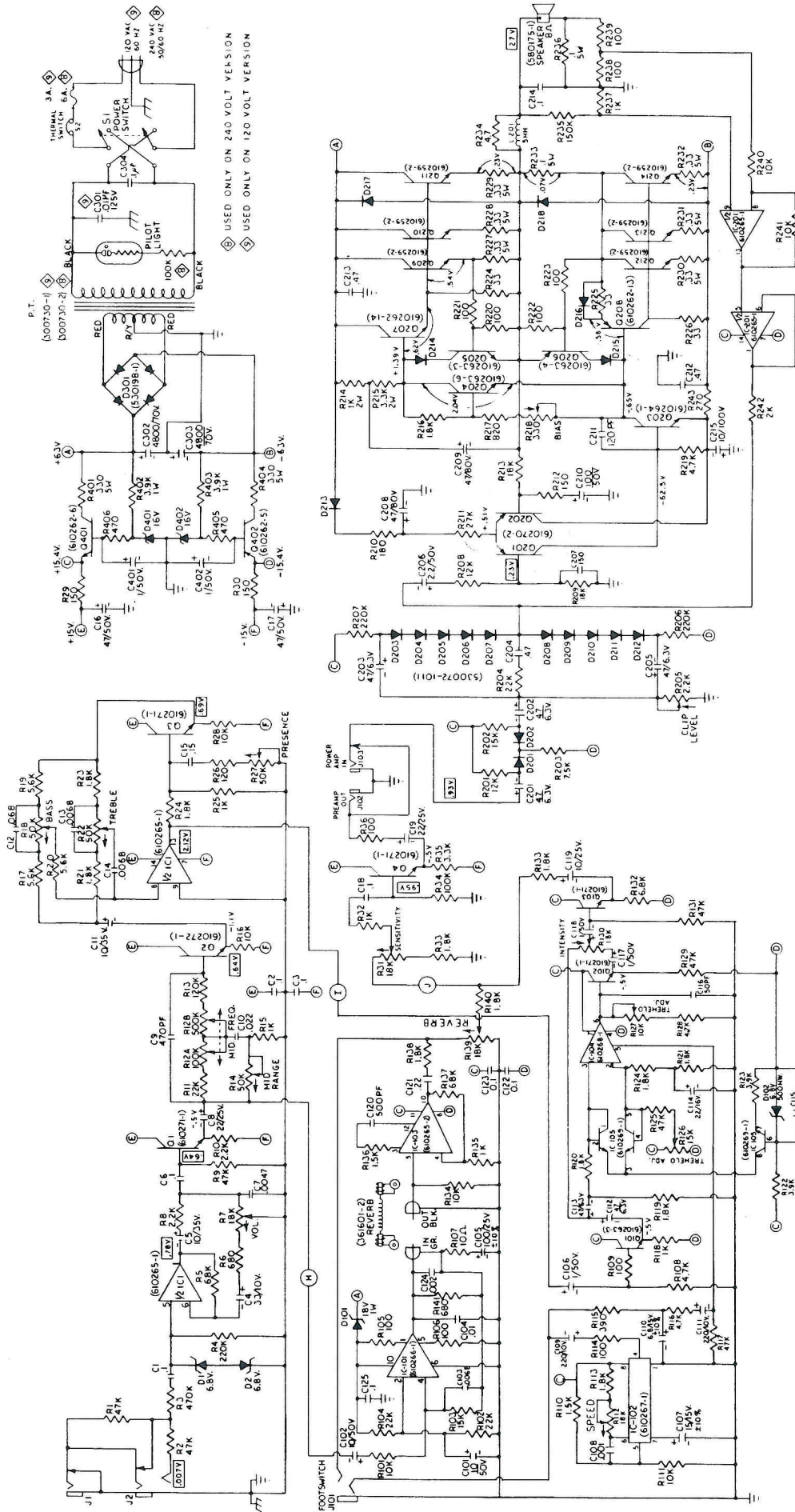
65 pounds (29.41 Kg.)

Dimensions:

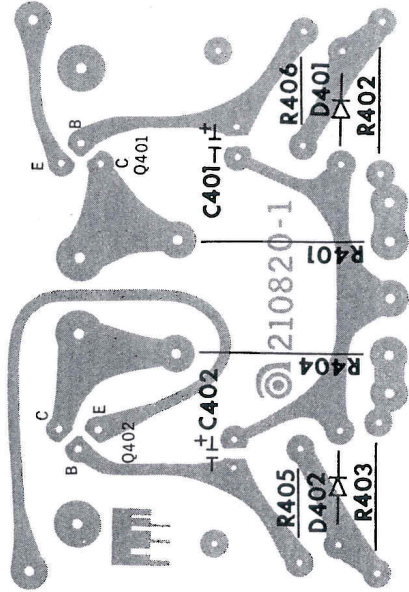
$20\frac{1}{16}$ " W x $9\frac{3}{8}$ " D x $22\frac{1}{2}$ " H
52.86 cm x 23.81 cm x 57.15 cm H

Recommended Usage:

Pedal Steel Guitar, Lead Guitar



POWER SUPPLY P.C. BOARD
(VIEWED FROM COPPER SIDE)



WARNING

For maximum safety, reliability and performance, all parts must be replaced by those having identical specifications. Under no circumstances may the original design be modified or altered without permission from the Ampeg Company.

Ⓢ USED ONLY ON 240 VOLT VERSION
Ⓢ USED ONLY ON 120 VOLT VERSION

P.T.

(500730-1)

(500730-2)

BLACK

RED

RED

RED

RED

RED

RED

RED

RED

RED

RED

RED

RED

RED

RED

RED

RED

RED

RED

RED

RED

RED

RED

RED

RED

RED

RED

RED

RED

RED

RED

RED

RED

RED

RED

RED

RED

RED

RED

RED

RED

RED

RED

RED

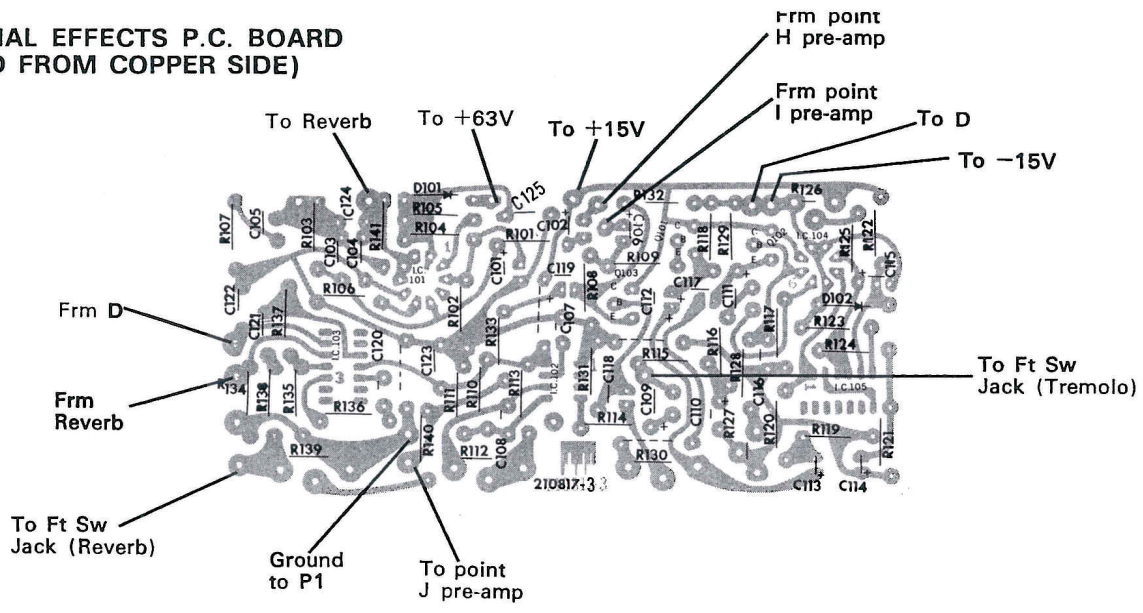
RED

RED

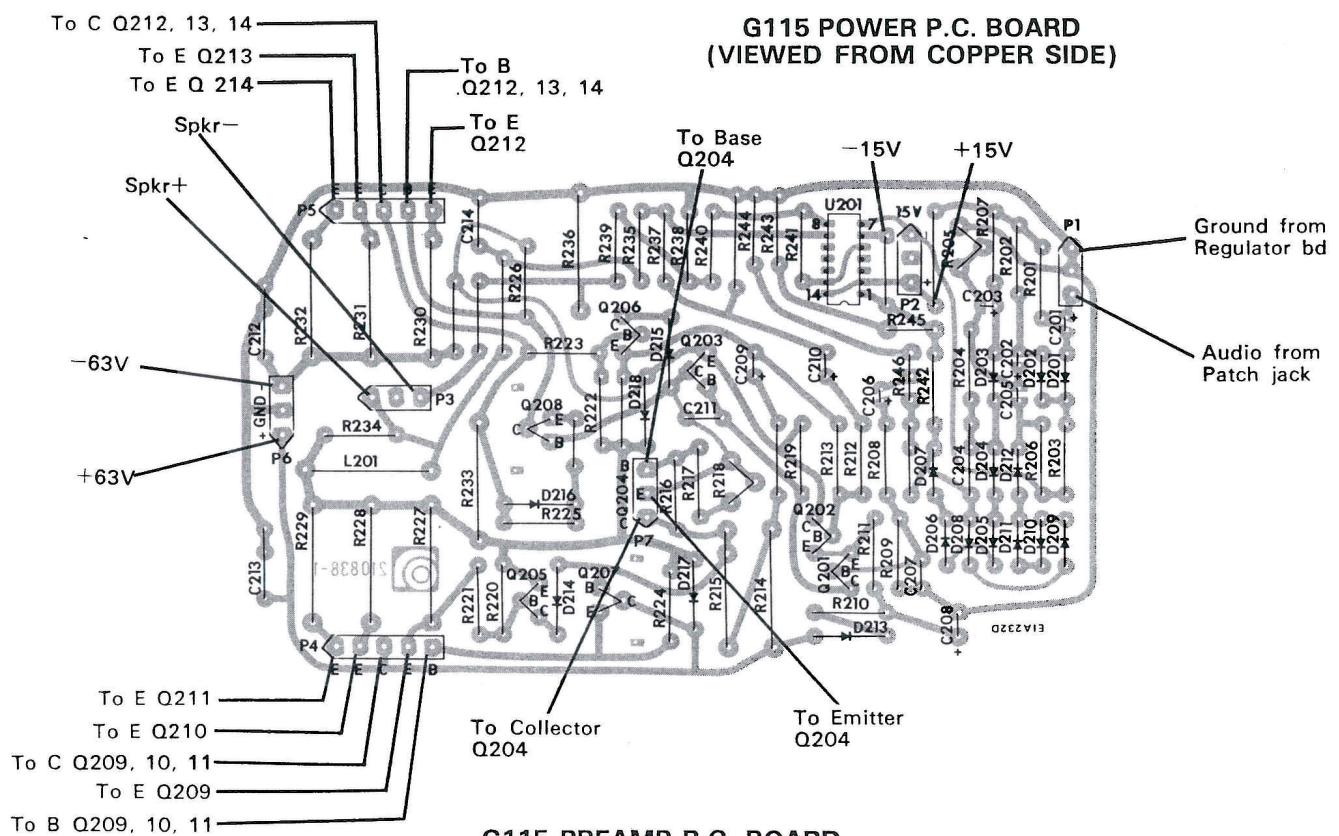
RED

RED

**G115 SPECIAL EFFECTS P.C. BOARD
(VIEWED FROM COPPER SIDE)**



**G115 POWER P.C. BOARD
(VIEWED FROM COPPER SIDE)**



**G115 PREAMP P.C. BOARD
(VIEWED FROM COPPER SIDE)**

