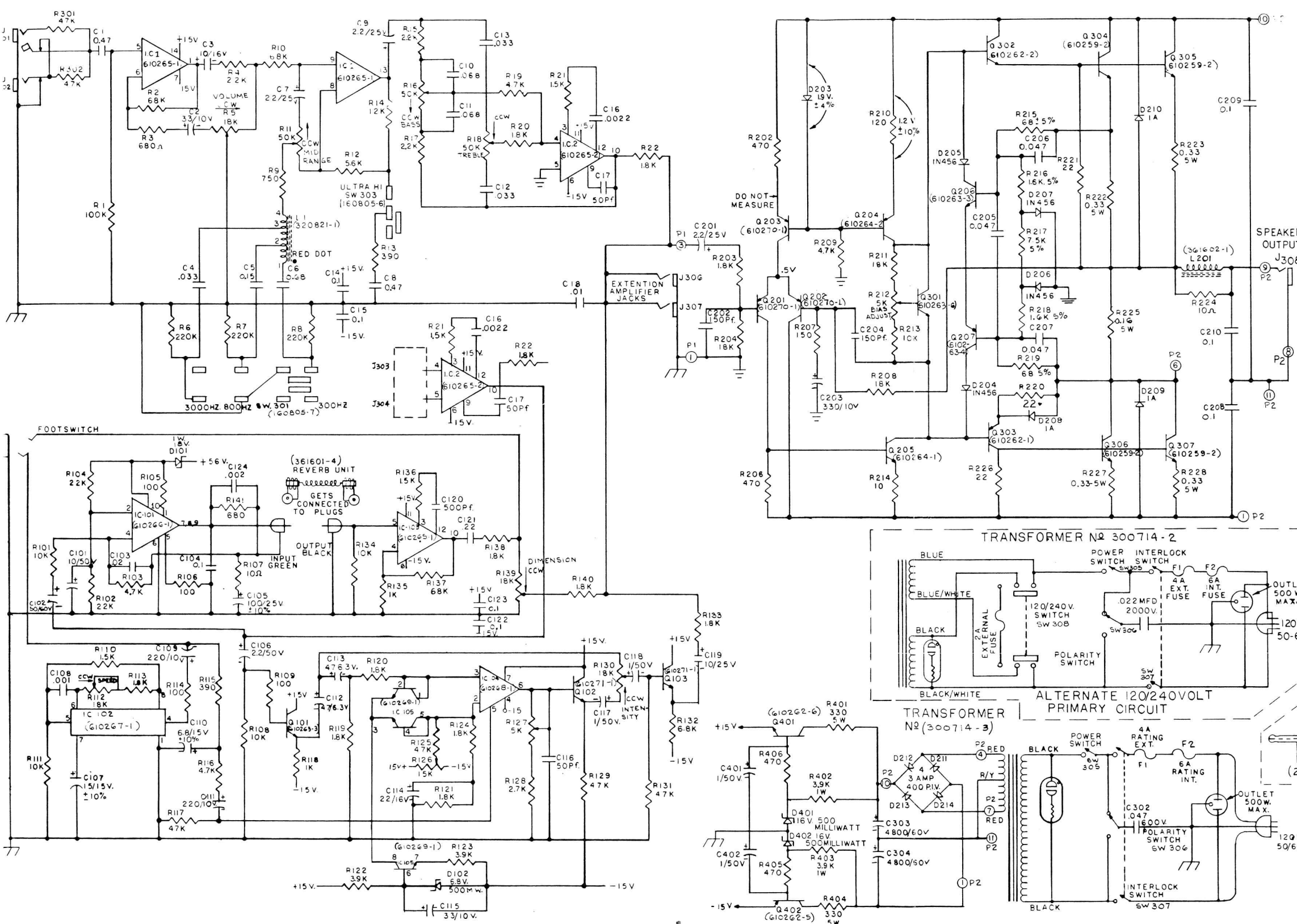
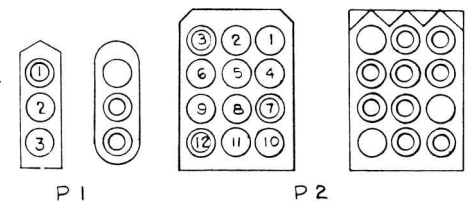
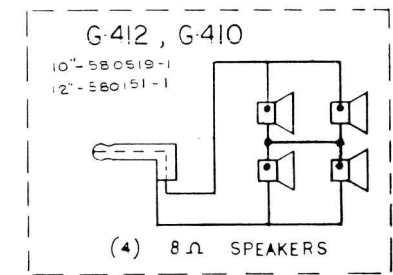
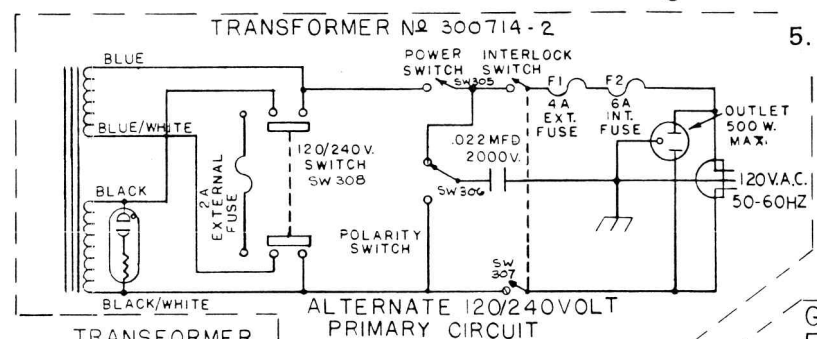


MODELS G212, G410, G412, G60
SCHEMATIC DIAGRAM (REV. B)



NOTES: UNLESS OTHERWISE SPECIFIED

1. Capacitance values are in microfarads, 10%, 250V.
2. Resistors are 1/2W, 10%, composition.
3. DC voltages taken with no signal applied using a 20,000 ohm/volt voltmeter and are positive with respect to chassis ground.
4. Semiconductors are selected. Unselected replacements may exhibit improper operation or short life.
5. Actual circuit may vary slightly due to normal production changes.



WARNING
For maximum safety, reliability and performance, all parts must be replaced by those having identical specifications. Under no circumstances may the original design be modified or altered without permission from the Ampeg Company.