

6 5 4 3 2 1

D

D

C

C

B

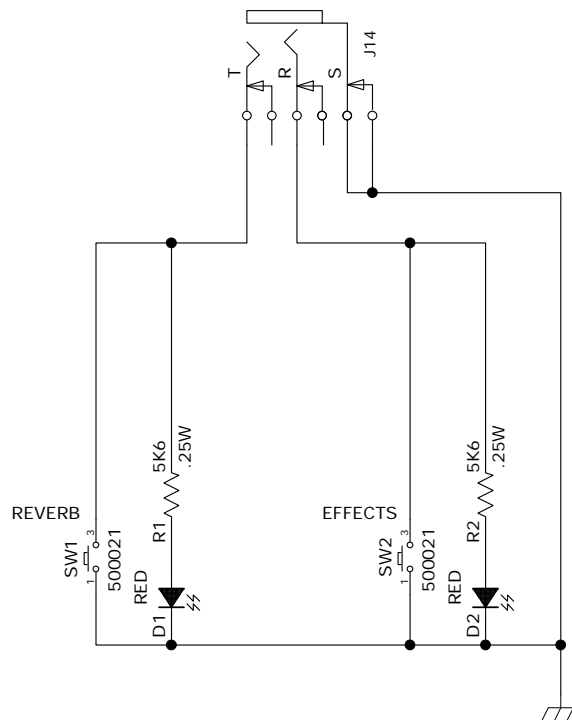
B

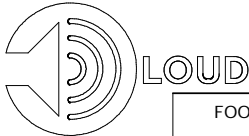
A

A

6 5 4 3 2 1

REVERB / EFFECTS



		LOUD TECHNOLOGIES INC. 16220 WOOD-RED RD NE WOODINVILLE, WA 98072	
		FOOTSWITCH	
SIZE B	SCALE: NONE	DWG. NO. 2036342-XX	REV. A00
DWG FILE:		3/14/2011	SHEET 1 OF 1