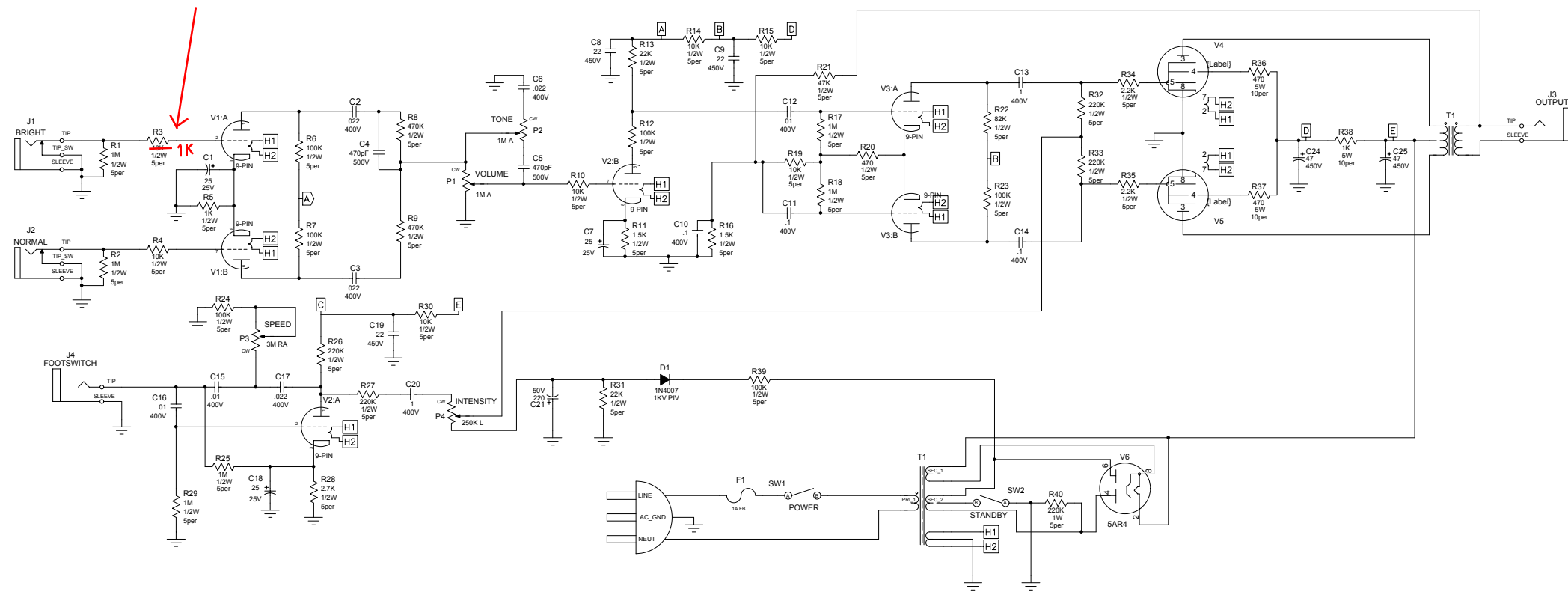



DWG. NO.	133SCH_1		SH	REV.	1
REVISIONS					
CHANGE #	REV	DESCRIPTION	DATE	REV BY	



UNLESS OTHERWISE SPECIFIED DIMENSIONS ARE IN MILLIMETERS TOLERANCES ARE: FRACTIONS DECIMALS ANGLES %%p .XX %%p %%p .XXX %%p	APPROVALS DRAWN WFB CHECKED ISSUED	DATE 08-May-07
MATERIAL		
COLOR/FINISH		
DO NOT SCALE DRAWING		

 LOUD Technologies Inc. SAINT LOUIS, MISSOURI U.S.A.			
J20 Schematic			
SIZE D	ARTWORK NO.	DWG. NO. 133SCH_1	REV.
SCALE 1.000			SHEET 1 OF 1

THE INFORMATION CONTAINED HEREIN IS
 PROPRIETARY AND CONFIDENTIAL PROPERTY OF
 LOUD TECHNOLOGIES INC. ALL RIGHTS RESERVED