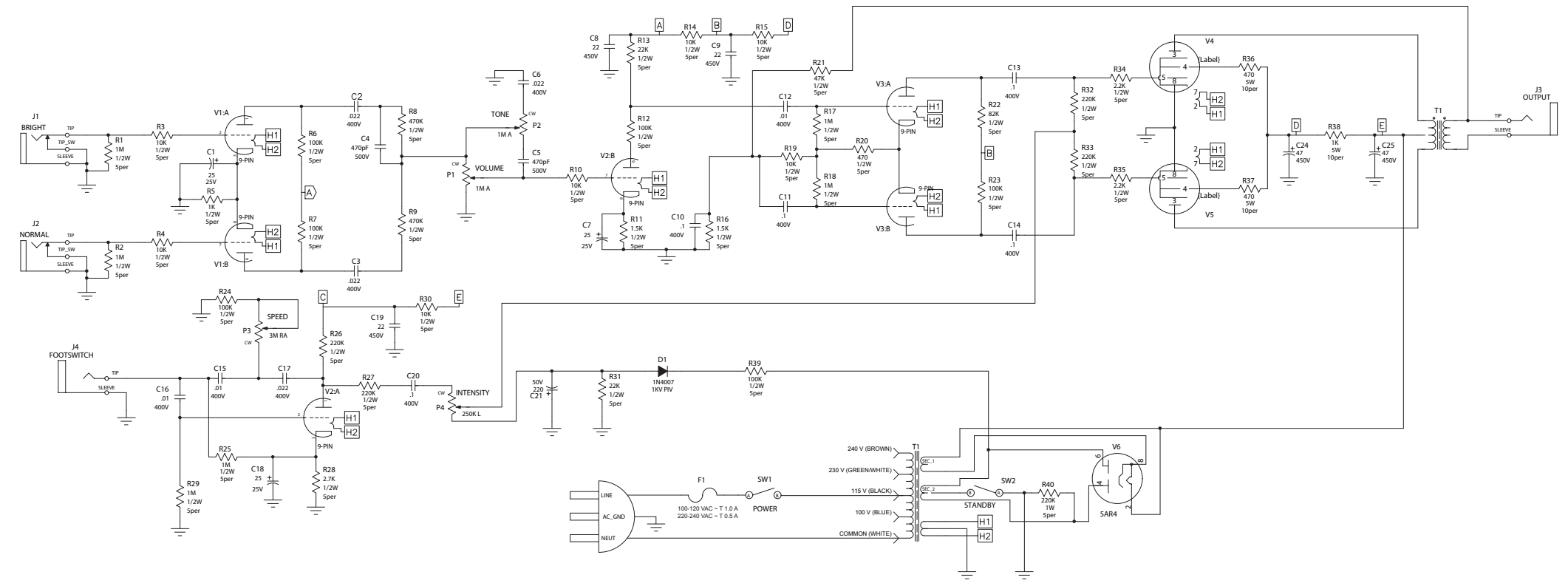



DWG. NO.	133SCH_1		SH	REV.	1
REVISIONS					
CHANGE #	REV	DESCRIPTION	DATE	REV BY	



UNLESS OTHERWISE SPECIFIED DIMENSIONS ARE IN MILLIMETERS TOLERANCES ARE:		APPROVALS	DATE	 LOUD Technologies Inc. SAINT LOUIS, MISSOURI U.S.A.
FRACTIONS	DECIMALS	ANGLES	DRAWN WFB 08-May-07	
xxp	.xx xxp	xxp	CHECKED	J20 Schematic
	.xxx xxp		ISSUED	
MATERIAL				
COLOR/FINISH				SIZE D
				ARTWORK NO. DWG. NO. 133SCH_1
				REV. 1
				SCALE 1.000
				SHEET 1 OF 1

THE INFORMATION CONTAINED HEREIN IS
 PROPRIETARY AND CONFIDENTIAL PROPERTY OF
 LOUD TECHNOLOGIES INC. ALL RIGHTS RESERVED

DO NOT SCALE DRAWING

8 7 6 5 4 3 2 1

8 7 6 5 4 3 2 1