

REF DES	DASH NO.	
	-01	-02
C35	100uf	-
D11	1N914	-
J3	8 PIN	11 PIN
J4	7 PIN	-
Q4	-	J175
Q6	2N5087	-
R55	-	-
R56	-	100K
R63	4.7K	-
R65	4.7K	-
R66	680	-
R67	2.2K	-

Power Table					
Ref Des	Device(Type)	Package	+14V	-15V	-14V
U1	3727501	8DIP.3	8	4	4
U2	3787201	8DIP.3	4	4	8
U3	3787201	8DIP.3	4	4	8
U4	3787201	8DIP.3	4	4	8
U5	3787201	8DIP.3	4	4	8
U6	3787201	8DIP.3	4	4	8

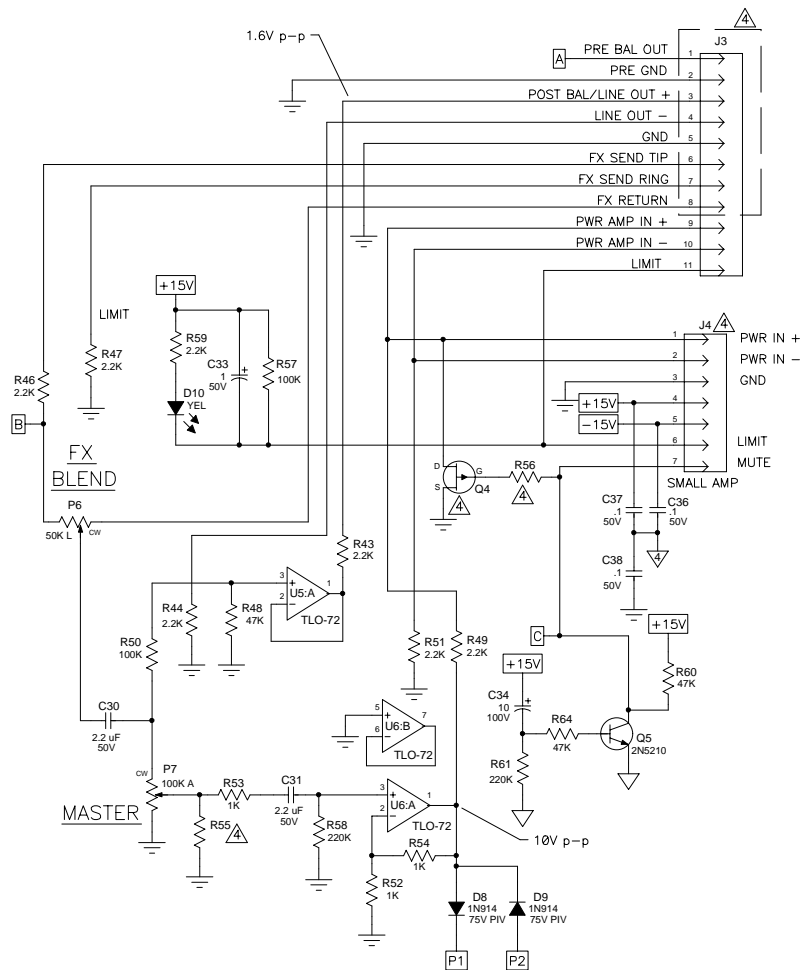
CAUTION:
THIS SCHEMATIC IS PROVIDED FOR USE BY QUALIFIED PERSONNEL. TO AVOID RISK OF ELECTRIC SHOCK, REFER SERVICING TO QUALIFIED SERVICE PERSONNEL. DO NOT PERFORM ANY SERVICING BEYOND THAT EXPLAINED IN THE OPERATING INSTRUCTIONS.

NOTES:
1) CAUTION: SHOCK HAZARD!! THIS UNIT CONTAINS HAZARDOUS VOLTAGE. DISCONNECT POWER AND BE SURE POWER SUPPLY IS DISCHARGED BEFORE TOUCHING INTERNAL PARTS.
2) UNLESS NOTED, RESISTOR VALUES IN OHMS, 1/4W-5% TOL. CAPACITOR VALUES IN MICROFARADS, 50V-10% TOL.
3) VOLTAGES ARE MEASURED WITH 1 MEGOHM OSCILLOSCOPE AND 10 MEGOHM DIGITAL VOLTMETER.

TEST SPECS SETUP:
GAIN, MASTER @ *10; TONES @ *5;
BLEND @ *10; BUTTONS *OUT*
INPUT SIGNAL 1KHZ

SEE TABLE

1	7-25-02	R36 WAS 820 OHMS; Q1 WAS MPS-A13	N00910		
0	7-22-02	CONTROL ISSUE			
REV	Date	DESCRIPTION	Ecr(s)/Ecn(s)	Chgd By	Appvd by
THE INFORMATION CONTAINED ON THIS DRAWING IS PROPRIETARY TO ST. LOUIS MUSIC, INC.					
Signatures:			Date:		
Drawn: RLB		8-21-01		 11880 Borman Drive, St. Louis, MO 63146	
Checked:					
Released:				First Used On: PB250a	
Plot Date: Thu Jul 25, 2002		Drawing Size: C		Drawing Title: BASS PREAMP	
Plot Time: 14:54:15		Drawing Type: Schematic		Drawing Number: 07S592-XX	
Tolerance:		Class Code: NONE		Sheet 1 of 2	



REF	DASH NO.	
DES	-01	-02
C35	100uf	-
D11	1N914	-
J3	8 PIN	11 PIN
J4	7 PIN	-
Q4	-	J175
Q6	2N5087	-
R55	-	-
R56	-	100K
R63	4.7K	-
R65	4.7K	-
R66	680	-
R67	2.2K	-

CAUTION:

THIS SCHEMATIC IS PROVIDED FOR USE BY QUALIFIED PERSONNEL. TO AVOID RISK OF ELECTRIC SHOCK, REFER SERVICING TO QUALIFIED SERVICE PERSONNEL. DO NOT PERFORM ANY SERVICING BEYOND THAT EXPLAINED IN THE OPERATING INSTRUCTIONS.

NOTES:

- 1) CAUTION: SHOCK HAZARD!! THIS UNIT CONTAINS HAZARDOUS VOLTAGE. DISCONNECT POWER AND BE SURE POWER SUPPLY IS DISCHARGED BEFORE TOUCHING INTERNAL PARTS.
- 2) UNLESS NOTED, RESISTOR VALUES IN OHMS, 1/4W-5% TOL. CAPACITOR VALUES IN MICROFARADS, 50V-10% TOL.
- 3) VOLTAGES ARE MEASURED WITH 1 MEGOHM OSCILLOSCOPE AND 10 MEGOHM DIGITAL VOLTMETER.

SEE TABLE

REV	Date	DESCRIPTION	Ecr(s)/Ecn(s)	Chgd By	Appvd by	Date
1	7-25-02	R36 WAS 820 OHMS; Q1 WAS MPS-A13	N00910			
0	7-22-02	CONTROL ISSUE				

THE INFORMATION CONTAINED ON THIS DRAWING IS PROPRIETARY TO ST. LOUIS MUSIC, INC.

Signatures:		Date:	
Drawn: RLB		8-21-01	
Checked:		First Used On:	
Released:		PB250a	
Plot Date: Thu Jul 25, 2002		Drawing Size: C	
Plot Time: 14:54:16		Drawing Type: Schematic	
Tolerance:		Drawing Title:	
		BASS PREAMP	
		Drawing Number:	
		07S592-XX	
		Sheet 2 of 2	