

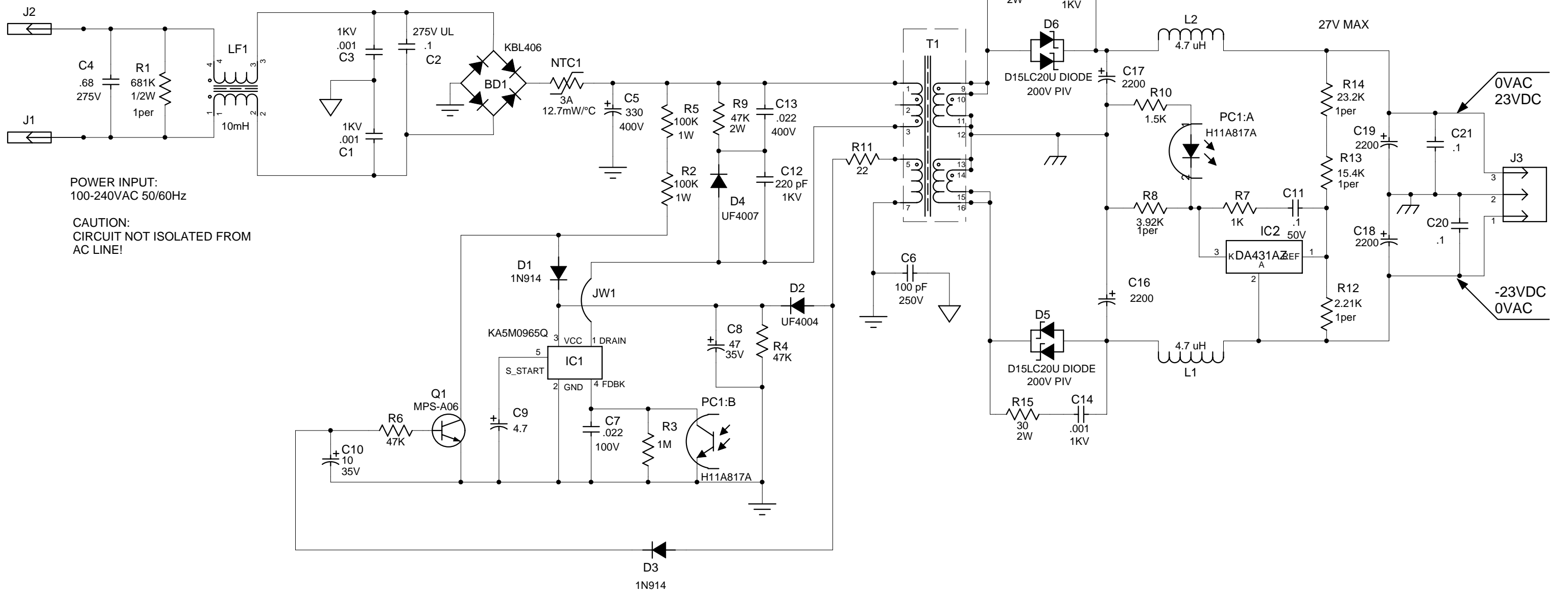
A

B

C

D

INPUT




POWER INPUT:
100-240VAC 50/60Hz

CAUTION:
CIRCUIT NOT ISOLATED FROM
AC LINE!

CAUTION:
THIS SCHEMATIC IS PROVIDED FOR USE BY QUALIFIED PERSONNEL.
TO AVOID RISK OF ELECTRIC SHOCK, REFER SERVICING TO QUALIFIED
SERVICE PERSONNEL. DO NOT PERFORM ANY SERVICING BEYOND
THAT EXPLAINED IN THE OPERATING INSTRUCTIONS.

NOTES:

- 1) CAUTION: SHOCK HAZARD!!
THIS UNIT CONTAINS HAZARDOUS VOLTAGE. DISCONNECT POWER
AND BE SURE POWER SUPPLY IS DISCHARGED BEFORE
TOUCHING INTERNAL PARTS.
- 2) UNLESS NOTED, RESISTOR VALUES IN OHMS, 1/4W-5% TOL.
CAPACITOR VALUES IN MICROFARADS, 50V-10% TOL.
- 3) VOLTAGES ARE MEASURED WITH 1 MEGOHM OSCILLOSCOPE
AND 10 MEGOHM DIGITAL VOLTMETER.

0	08/23/05	CONTROL ISSUE		WFB		
A	06/22/05	INITIAL ISSUE				
REV	Date	DESCRIPTION	Ecr(s)/Ecn(s)	Chgd By	Appvd by	Date
THE INFORMATION CONTAINED ON THIS DRAWING IS PROPRIETARY TO ST. LOUIS MUSIC, INC						
Signatures:			Date:			
Drawn: WFB			10/16/01		11880 Borman Drive, St. Louis, MO 63146	
Checked:					First Used On:	
Released:						
Plot Date: Tue Aug 23, 2005		Drawing Size: B		Drawing Title: 200W OFF-LINE SWITCHER		
Plot Time: 10:03:42		Drawing Type: Schematic		Drawing Number:		
Tolerance:		Class Code: NONE		Drawing Number: 07S291		
Sheet 1 of 1						