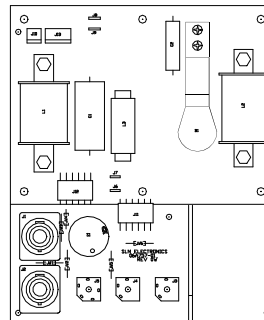
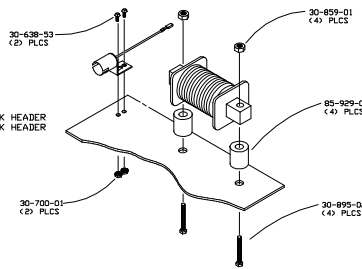
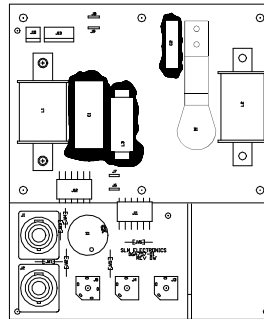
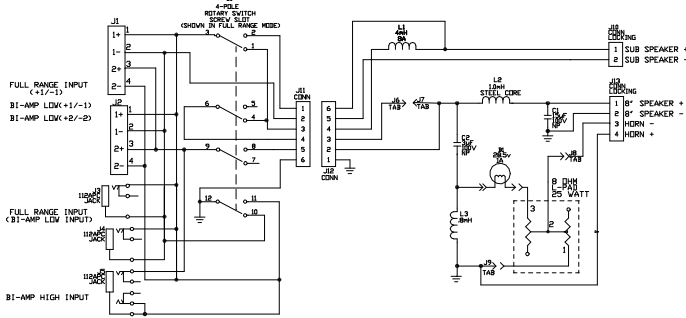


- B1 97-120-03 LAMP SOCKET ASSEMBLY W/ 110
- C1 12-156-82 15uF 100V
C2 12-335-81 3uF 100V
- J1 39-931-01 NEUTRIK NL4MD
J2 39-931-01 NEUTRIK NL4MD
J3 39-012-01 112APC JACK
J4 39-012-01 112APC JACK
J5 39-114-04 114APC JACK
J6 17-836-01 .250 TAB
J7 17-836-01 .250 TAB
J8 17-894-01 .187 TAB
J9 17-894-01 .187 TAB
J10 17-309-02 2-PIN LOCKING HEADER
J11 17-313-06 6-PIN RIGHT ANGLE LDDCK HEADER
J12 17-313-06 6-PIN RIGHT ANGLE LDDCK HEADER
J13 17-309-04 4-PIN LOCKING HEADER
- JW1-3, 5, 6 76-007-01 JUMPERS
JW4 76-005-01 JUMPERS
- L1 94-184-01 4H CDIL .8A
L2 94-192-01 1.0M Ω STEEL-CORE
L3 94-181-01 .8M Ω IRON CORE CDIL
- S1 88-204-02 4-POLE SWITCH
- SCREWS 30-638-53 (2)
30-895-02 (4)
NUTS 30-700-01 (2)
30-899-01 (4)
SPACERS 85-929-01 (4)

LIGHT BULB SOCKET AND LARGE COIL ASSEMBLY



FULL RANGE/B1-AMP SWITCH



GOOP PER STANDARD GOOPING METHODS

1	7-14-88	REV 1	7-14-88	01	000044	PLB		
REV#	DATE	DESCRIPTION	BY	CHKD	APP'D	DATE	DATE	
THE INFORMATION CONTAINED HEREIN IS UNCLASSIFIED								
DATE OF DECLASSIFICATION: 01-01-2011								
SIGNATURES		DATE		PR-1528HE				
DRAWN DKS		6-3-87		PR-1528HE				
CHECKED				PR-1528HE				
PLTD				PR-1528HE				
TELEPROCESSED				PR-1528HE				
DRAWING SIZE		D		DRAWING TITLE				
DRAWING TYPE		X-OVER PCB		DRAWING NO.				
CLASS CODE				07-757-02				
SCALE 1:1		SHEET 1 OF 1		H				