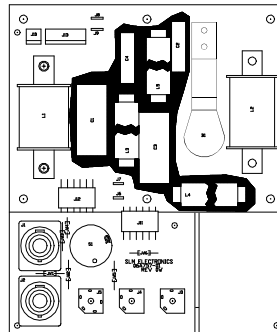
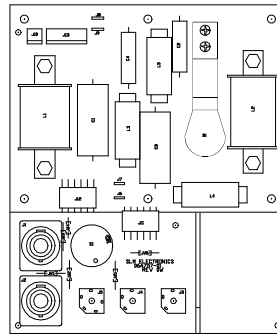
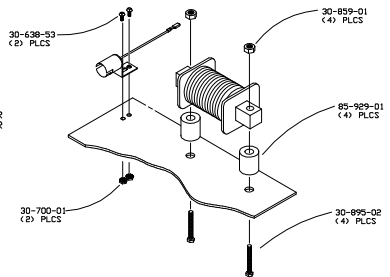
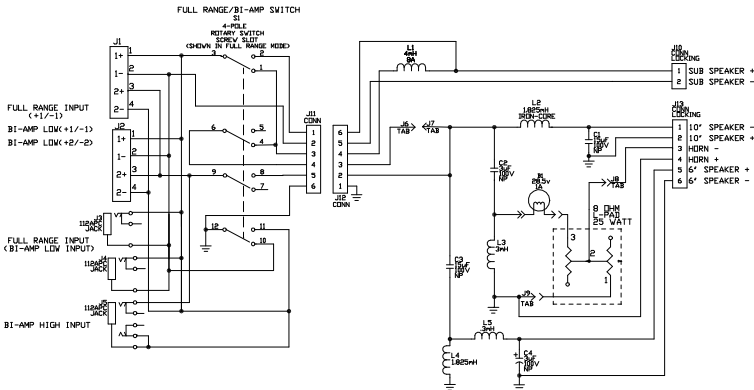


- B1 97-120-03 LAMP SOCKET ASSEMBLY W/ 110
- C1 12-156-82 15uF 100V
- C2 12-335-81 3uF 100V
- C3 12-156-82 15uF 100V
- C4 12-335-81 3uF 100V
- J1 39-931-01 NEUTRIK NL4MD
- J2 39-931-01 NEUTRIK NL4MD
- J3 39-012-01 112APC JACK
- J4 39-012-01 112APC JACK
- J5 39-114-04 114BPC JACK
- J6 17-836-01 .250 TAB
- J7 17-836-01 .250 TAB
- J8 17-894-01 .187 TAB
- J9 17-894-01 .187 TAB
- J10 17-309-02 2-PIN LOCKING HEADER
- J11 17-313-06 6-PIN RIGHT ANGLE LOCK HEADER
- J12 17-313-06 6-PIN RIGHT ANGLE LOCK HEADER
- J13 17-309-06 6-PIN LOCKING HEADER
- JW1-3, 5, 6 76-007-01 JUMPERS
- JW4 76-005-01 JUMPERS
- L1 94-184-01 4#H COIL BA
- L2 94-185-01 1.825#H STEEL-CORE
- L3 94-131-01 3#H COIL
- L4 94-182-01 1.825#H IRON -CORE
- L5 94-131-01 .3#H COIL
- S1 88-204-02 4-POLE SWITCH
- SCREWS 30-638-53 (2)
- NUTS 30-895-02 (4)
- SPACERS 30-700-01 (2)
- 30-859-01 (4)
- 85-929-01 (4)



GOOP PER STANDARD GOOPING METHODS



REV	DATE	DESCRIPTION	DESIGNED BY	DRAWN BY	DATE
1	7-14-99	NUT W/RE 30-895-01	NO0044	RJR	
		SCREW W/RE 30-638-01			
THE INFORMATION CONTAINED ON THIS DRAWING IS PROPERTY OF THE COMPANY AND IS NOT TO BE REPRODUCED OR TRANSMITTED IN ANY FORM OR BY ANY MEANS, ELECTRONIC OR MECHANICAL, INCLUDING PHOTOCOPYING, RECORDING, OR BY ANY INFORMATION STORAGE AND RETRIEVAL SYSTEM.					
DESIGNED BY	DATE	DESIGNED BY	DATE	DESIGNED BY	DATE
SWRT	4-15-97	PR-1832HE			
CHECKED BY	DATE	DATE	DATE	DATE	DATE
APPROVED BY	DATE	APPROVED BY	DATE	APPROVED BY	DATE
DRAWING SIZE	D	DRAWING TITLE	X-OVER PCB		
DRAWING TYPE		DRAWING NO.	07A757-01		
CLASS CODE					
SCALE	1:1	SHEET	1 OF 1		