

A

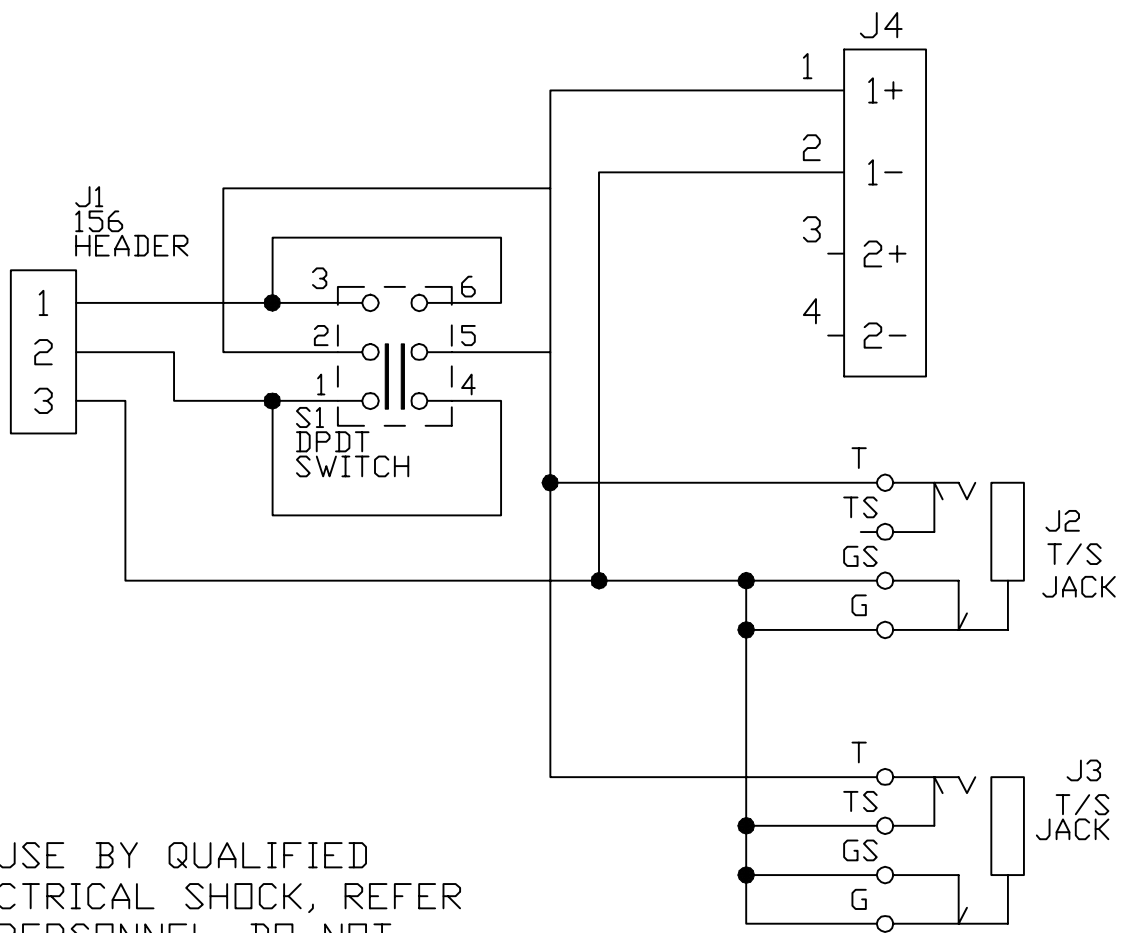
B

C

D

E


F



CAUTION:
 THIS SCHEMATIC IS PROVIDED FOR USE BY QUALIFIED PERSONNEL. TO AVOID RISK OF ELECTRICAL SHOCK, REFER SERVICING TO QUALIFIED SERVICE PERSONNEL. DO NOT PERFORM ANY SERVICING BEYOND THAT IN THE OPERATING INSTRUCTIONS.

NOTES:

1. CAUTION: SHOCK HAZARD!!! THIS UNIT CONTAINS HAZARDOUS VOLTAGE. DISCONNECT POWER AND BE SURE POWER SUPPLY IS DISCHARGED BEFORE TOUCHING INTERNAL PARTS.
2. UNLESS NOTED, RESISTOR VALUES ARE IN OHMS, 1/4W-5% TOL. CAPACITOR VALUES ARE IN MICROFARADS 50V-10% TOL.
3. VOLTAGES ARE MEASURED WITH 1 MEGOHM OSCILLISCOPE AND 10 MEGOHM DIGITAL VOLTMETER.

SIGNATURES:		DATE:	 11880 BORMAN DR. ST. LOUIS, MISSOURI 63146	
DRAWN:	RLB	1-24-97		
CHK'D:	OK	1-24-97	PROJECT NAME:	
APP'D:			R-50H	
ORIGINAL ISSUED:			DRAWING NAME:	
PLOT DATE:	1-24-97		SCHEMATIC	
PLOT TIME:	2:00		DRAWING NO. 07H769-02	REV 0
FILE NAME:	76902H0_		SCALE: 1:1	SHEET: 1 OF 1

A

B

C

D

E