


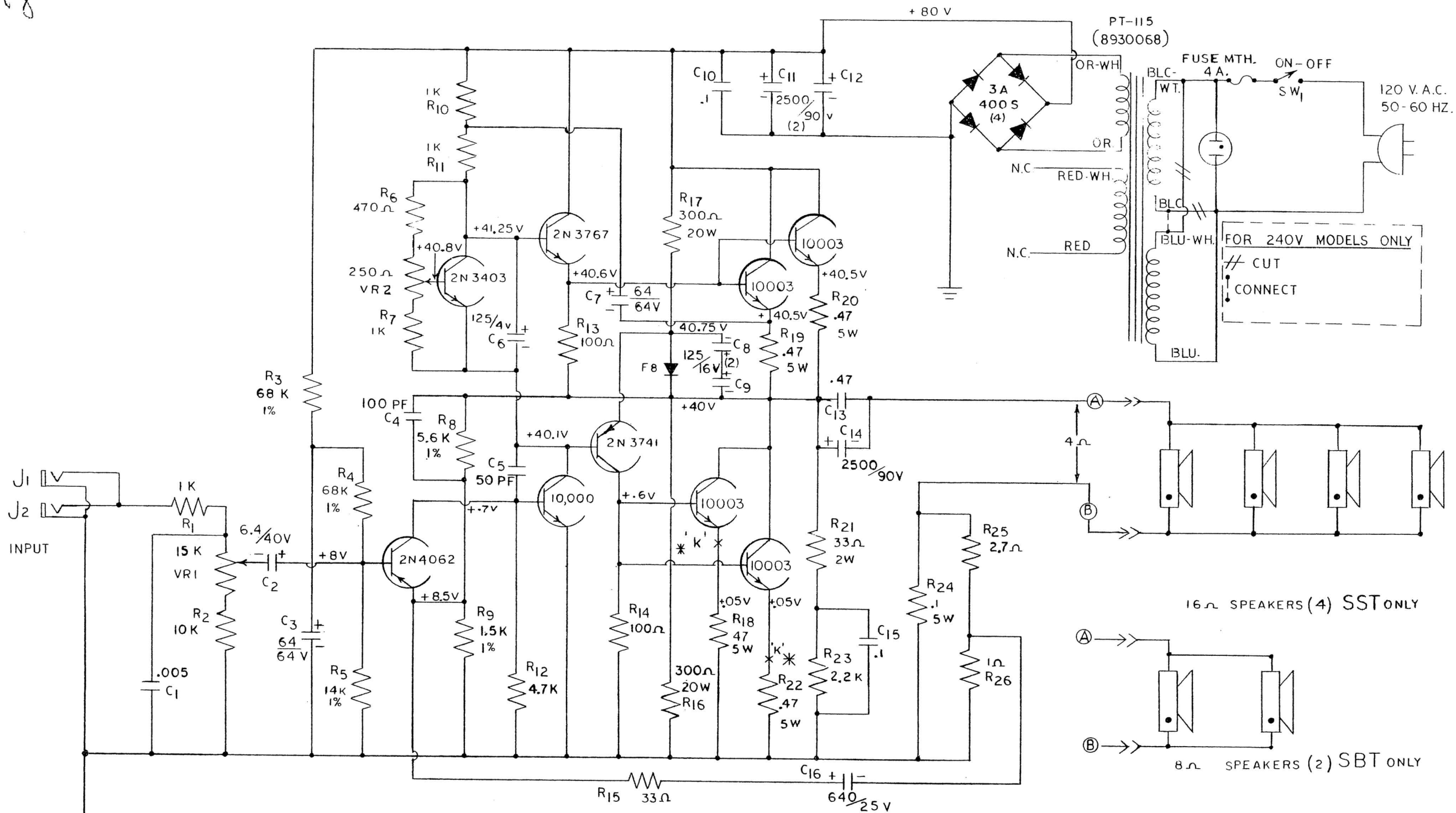
NOTES - DC VOLTAGE READINGS WITH NO SIGNAL APPLIED USING A 20,000 Ω PER VOLT METER.
 - ALL RESISTORS 1/2 W ± 10% UNLESS OTHERWISE SPECIFIED.
 - ALL CAPACITORS IN MFD. & 250 V UNLESS OTHERWISE SPECIFIED.
 - NUMBERS IN PARENTHESIS REFER TO AMPEGS PART NUMBERS
 - TRANSISTOR BC-169-B CAN BE SUBSTITUTED WITH 2N 3391A

POST OFFICE BOX 515
 AREA CODE (201) 931-8790

 LINDEN, NEW JERSEY 07036

MODEL
 SBT
 PREAMPLIFIER

DRN. BY	DATE	DGN. NO.	PART NO.	REV.
C.W.	669	05700	4010205	A17

241



NOTES

- ALL RESISTORS $\frac{1}{2}$ W. $\pm 10\%$ UNLESS OTHERWISE SPECIFIED.
- ALL CAPACITORS IN MFD. & 250V UNLESS OTHERWISE SPECIFIED
- THE TRANSISTORS 10003 CAN BE SUBSTITUTED WITH 40411
- 4 AMP FUSE MUST BE 125V RATING.
- * - ADJUST VR2 SO THAT THE VOLTAGE AT POINTS 'K' READ +.05V
- NUMBERS IN PARENTHESIS REFER TO AMPEG'S PART NO.
- CIRCUIT OF CHASSIS MAY VARY SLIGHTLY FROM THAT SHOWN HERE DUE TO NORMAL PRODUCTION CHANGES

POST OFFICE BOX 515
 AREA CODE (201) 925-6700

 ampeg
 LINDEN, NEW JERSEY 07036

MODELS
 SST SBT
 POWER
 AMPLIFIER

DRN. BY.	DATE	DWG NO	PART NO	REV
cw	6.2.69	04703	4010126	4.76 A