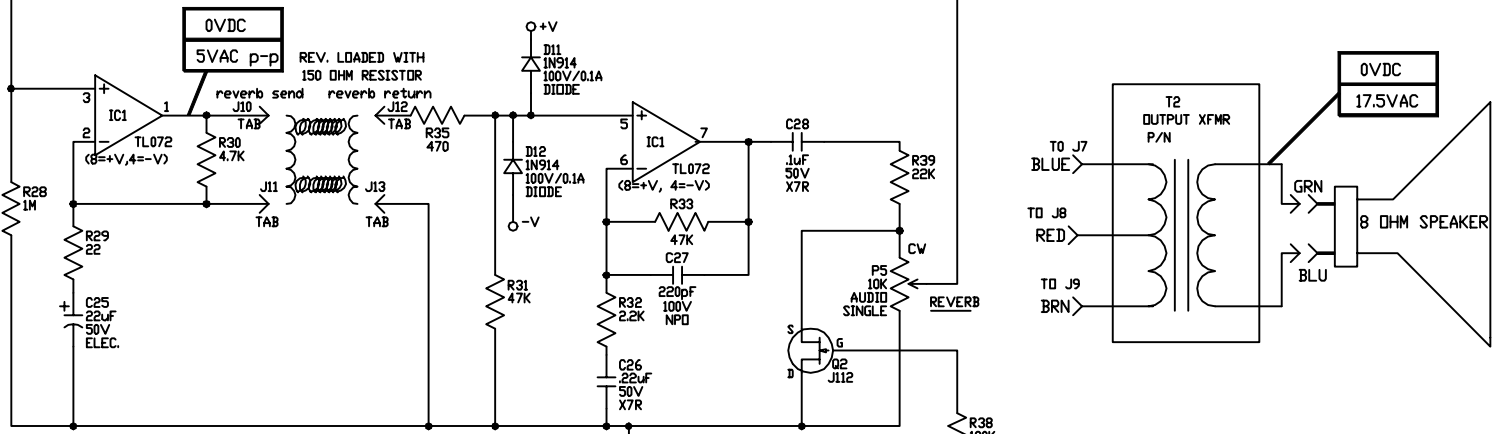
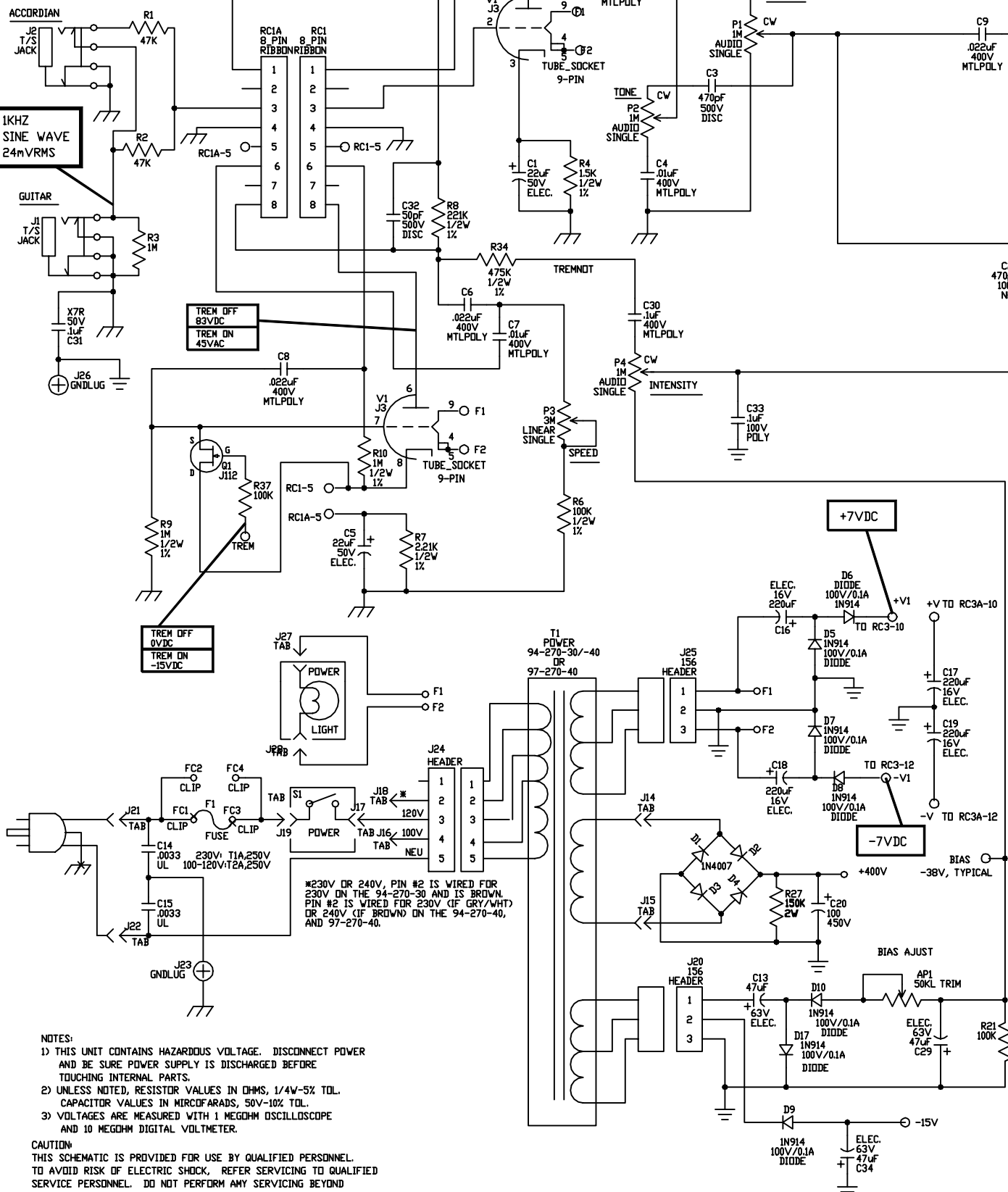
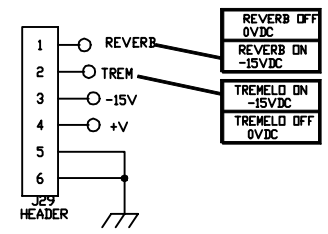
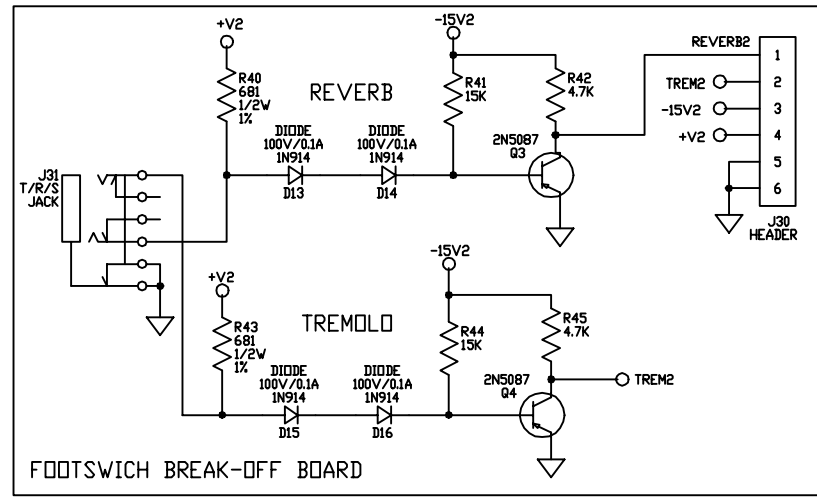


TESTPOINT NOTE:
ALL AC VOLTAGES (VAC) ARE RMS.
DC VOLTAGES ARE WITH NO SIGNAL APPLIED.
VOL & TONE @ 10 ALL OTHERS @ 0



BIAS AJUST NOTE:
ADJUST BIAS FOR SLIGHT CROSSOVER NOTCH @ FULL OUTPUT.
LINE CURRENT DRAW BETWEEN .65-.70A.



NOTES:
1) THIS UNIT CONTAINS HAZARDOUS VOLTAGE. DISCONNECT POWER AND BE SURE POWER SUPPLY IS DISCHARGED BEFORE TOUCHING INTERNAL PARTS.
2) UNLESS NOTED, RESISTOR VALUES IN OHMS, 1/4W-5% TOL. CAPACITOR VALUES IN MICROFARADS, 50V-10% TOL.
3) VOLTAGES ARE MEASURED WITH 1 MEGOHM OSCILLOSCOPE AND 10 MEGOHM DIGITAL VOLTMETER.

CAUTION
THIS SCHEMATIC IS PROVIDED FOR USE BY QUALIFIED PERSONNEL. TO AVOID RISK OF ELECTRIC SHOCK, REFER SERVICING TO QUALIFIED SERVICE PERSONNEL. DO NOT PERFORM ANY SERVICING BEYOND THAT EXPLAINED IN THE OPERATING INSTRUCTIONS.

09/16/97	SWR	ADDED "U" VER. AND CONVERTED TO AUTOCAD. PER ECO #970471
03/05/97	REM	OK
07/31/96	RLB	OK
REV		DATE
BY		CHK'D
DESCRIPTION		
SIGNATURES:		DATE:
DRAWN: REM		11/2/95
CHK'D: OK		11/2/95
APP'D: OK		11/2/95
ORIGINAL ISSUED:		11/2/95
PLOT DATE:		10/06/98
PLOT TIME:		15:17:11
FILE NAME:		27711H4
SCALE: 1:1		SHEET: 1 OF 1