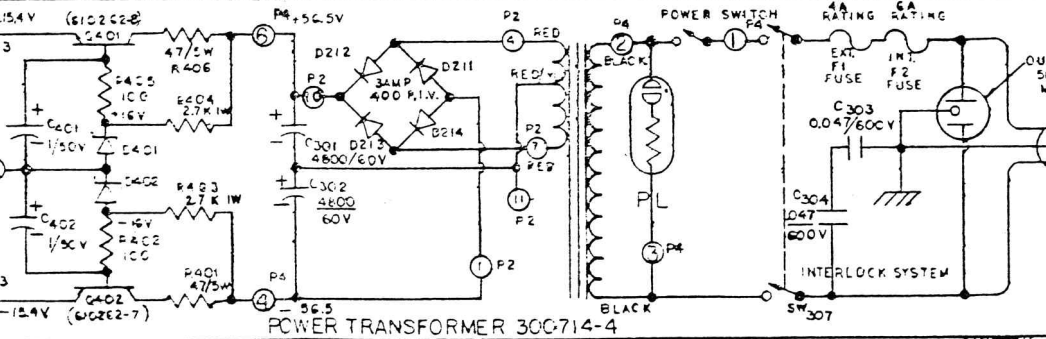
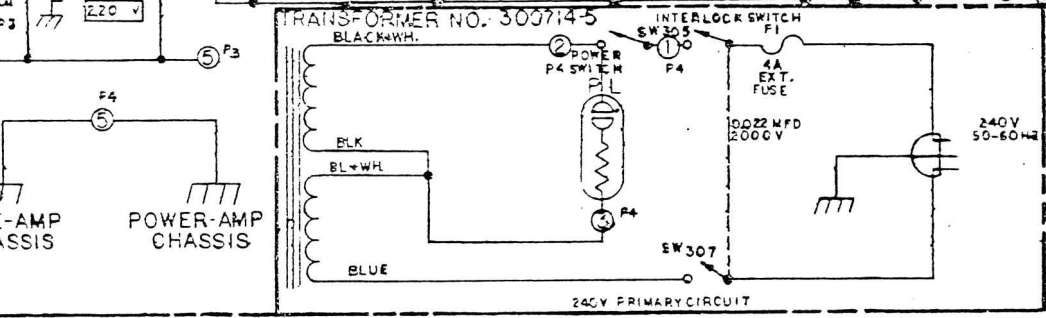
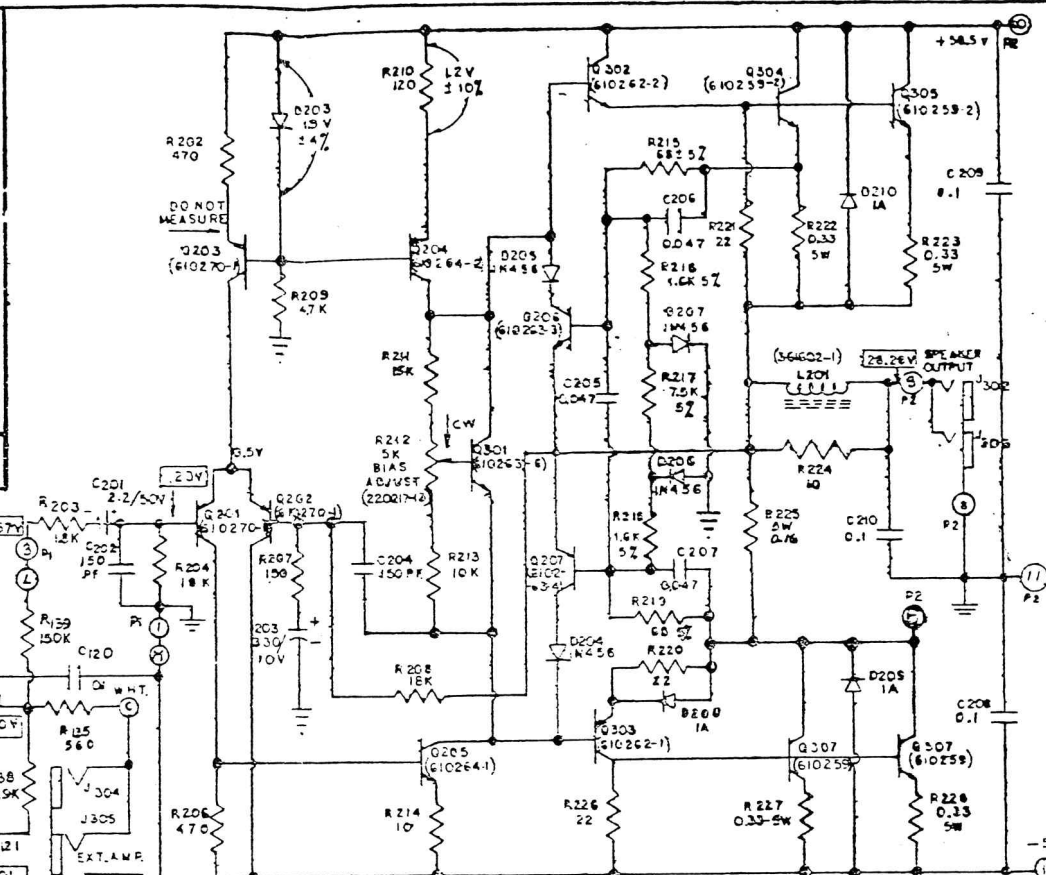
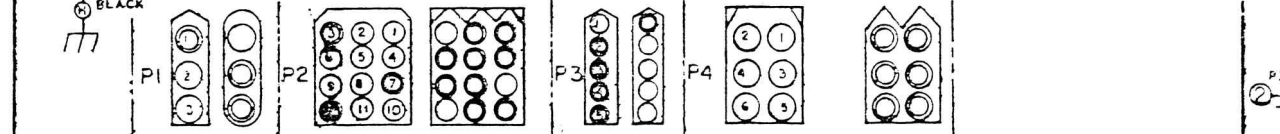
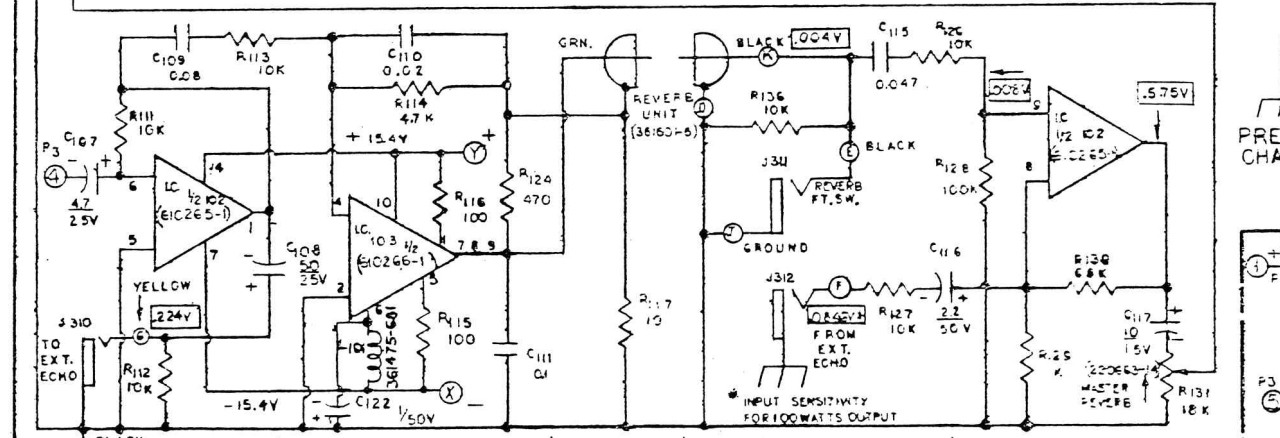
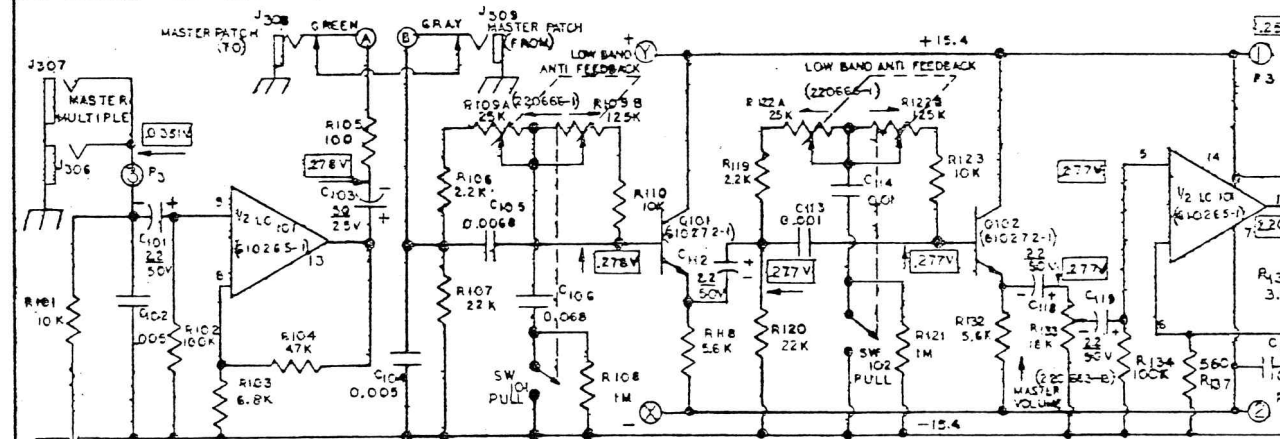


OTHER FIVE CHANNELS SAME AS ABOVE



NOTES:

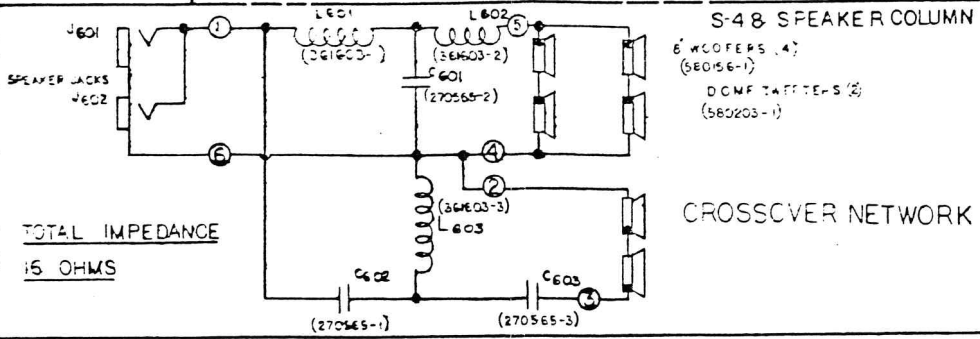
- ALL RESISTORS IN CIRCUIT 1/2W 10% UNLESS OTHERWISE SPECIFIED.
- ALL CAPACITORS IN MFD. AND 50 VOLT UNLESS OTHERWISE SPECIFIED.
- CIRCUIT OF CHASSIS MAY VARY SLIGHTLY FROM THAT SHOWN HERE DUE TO NORMAL PRODUCTION CHANGES.
- NUMBERS IN PARENTHESIS REFER TO MAGNAVOX PART NUMBERS.
- D.C. VOLTAGE READINGS WITH NO SIGNAL APPLIED USING A 20,000 OHM PER VOLT VOLTMETER AND ARE POSITIVE WITH RESPECT TO CHASSIS GROUND UNLESS OTHERWISE SPECIFIED.
- ADJUST R112 BIAS POT TO READ .011 VOLTS D.C. WITH NO LOAD CONNECTED AND NO SIGNAL APPLIED ACROSS PINS 4 AND 9 OF OUTPUT CONNECTOR.
- POWER OUTPUT SHOULD BE AT LEAST 120 WATTS RMS CONTINUOUS AT LESS THAN 0.1% T.H.D.
- INPUT SENSITIVITY WITH CHANNEL BASS AND TREBLE SET TO MID POSITION, CHANNEL VOLUME AT MAXIMUM MASTER AT MAXIMUM AND ANTI FEEDBACK OFF, IS 1.8 MILLIVOLTS RMS IN FOR 14.78 VOLTS NOMINAL OUT. ACCEPTABLE OUTPUT LIMITS ARE 25.4 VOLTS TO 31.1 VOLTS.
- VOLTAGES SHOWN IN BOXES ARE A.C. LEVELS, UNDER THE FOLLOWING CONDITIONS:
CHANNEL VOLUME MAXIMUM, BASS MIDPOSITION, TREBLE MID POSITION REVERB MAXIMUM, MASTER GAIN MAXIMUM, ANTI FEEDBACK OFF AND REVERB OFF.
- REPLACE SPEAKER AND CROSSOVER COMPONENTS ONLY WITH AMPEG PARTS TO INSURE RELIABILITY.
- POWER MODULE REPAIR IS RECOMMENDED ON AN EXCHANGE BASIS WITH THE FACTORY SERVICE CENTER, DUE TO THE COMPLEXITY AND D.C. COUPLED DESIGN.
- SEMICONDUCTORS ARE SELECTED. FACTORY REPLACEMENTS RECOMMENDED. UNSELECTED SEMICONDUCTORS MAY EXHIBIT IMPROPER OPERATION OR SHORT LIFE.
- SYMBOL () INDICATES COUNTERCLOCKWISE ROTATION OF POTENTIOMETER - TRIM POTS VIEWED FROM KINGSIDE.
- OUTPUT TRANSISTORS 610259-2 ARE COLOR CODED ACCORDING TO BETA RANGES. REPLACE WITH LIKE COLOR CODING OR REPLACE ALL 4 TRANSISTORS WITH SAME COLOR DEVICES.

REVISIONS:

A	RELEASED AM 1/290	5/13/74
B	ADDED REVERB FT. SW. TO REVERB UNIT	5/13/74
C	ADDED REVERB FT. SW. TO REVERB UNIT	5/13/74
D	ADDED REVERB FT. SW. TO REVERB UNIT	5/13/74
E	ADDED REVERB FT. SW. TO REVERB UNIT	5/13/74
F	ADDED REVERB FT. SW. TO REVERB UNIT	5/13/74
G	ADDED REVERB FT. SW. TO REVERB UNIT	5/13/74
H	ADDED REVERB FT. SW. TO REVERB UNIT	5/13/74
I	ADDED REVERB FT. SW. TO REVERB UNIT	5/13/74
J	ADDED REVERB FT. SW. TO REVERB UNIT	5/13/74
K	ADDED REVERB FT. SW. TO REVERB UNIT	5/13/74
L	ADDED REVERB FT. SW. TO REVERB UNIT	5/13/74
M	ADDED REVERB FT. SW. TO REVERB UNIT	5/13/74
N	ADDED REVERB FT. SW. TO REVERB UNIT	5/13/74
O	ADDED REVERB FT. SW. TO REVERB UNIT	5/13/74
P	ADDED REVERB FT. SW. TO REVERB UNIT	5/13/74
Q	ADDED REVERB FT. SW. TO REVERB UNIT	5/13/74
R	ADDED REVERB FT. SW. TO REVERB UNIT	5/13/74
S	ADDED REVERB FT. SW. TO REVERB UNIT	5/13/74
T	ADDED REVERB FT. SW. TO REVERB UNIT	5/13/74
U	ADDED REVERB FT. SW. TO REVERB UNIT	5/13/74
V	ADDED REVERB FT. SW. TO REVERB UNIT	5/13/74
W	ADDED REVERB FT. SW. TO REVERB UNIT	5/13/74
X	ADDED REVERB FT. SW. TO REVERB UNIT	5/13/74
Y	ADDED REVERB FT. SW. TO REVERB UNIT	5/13/74
Z	ADDED REVERB FT. SW. TO REVERB UNIT	5/13/74

REVISIONS:

A	RELEASED AM 1/290	5/13/74
B	ADDED REVERB FT. SW. TO REVERB UNIT	5/13/74
C	ADDED REVERB FT. SW. TO REVERB UNIT	5/13/74
D	ADDED REVERB FT. SW. TO REVERB UNIT	5/13/74
E	ADDED REVERB FT. SW. TO REVERB UNIT	5/13/74
F	ADDED REVERB FT. SW. TO REVERB UNIT	5/13/74
G	ADDED REVERB FT. SW. TO REVERB UNIT	5/13/74
H	ADDED REVERB FT. SW. TO REVERB UNIT	5/13/74
I	ADDED REVERB FT. SW. TO REVERB UNIT	5/13/74
J	ADDED REVERB FT. SW. TO REVERB UNIT	5/13/74
K	ADDED REVERB FT. SW. TO REVERB UNIT	5/13/74
L	ADDED REVERB FT. SW. TO REVERB UNIT	5/13/74
M	ADDED REVERB FT. SW. TO REVERB UNIT	5/13/74
N	ADDED REVERB FT. SW. TO REVERB UNIT	5/13/74
O	ADDED REVERB FT. SW. TO REVERB UNIT	5/13/74
P	ADDED REVERB FT. SW. TO REVERB UNIT	5/13/74
Q	ADDED REVERB FT. SW. TO REVERB UNIT	5/13/74
R	ADDED REVERB FT. SW. TO REVERB UNIT	5/13/74
S	ADDED REVERB FT. SW. TO REVERB UNIT	5/13/74
T	ADDED REVERB FT. SW. TO REVERB UNIT	5/13/74
U	ADDED REVERB FT. SW. TO REVERB UNIT	5/13/74
V	ADDED REVERB FT. SW. TO REVERB UNIT	5/13/74
W	ADDED REVERB FT. SW. TO REVERB UNIT	5/13/74
X	ADDED REVERB FT. SW. TO REVERB UNIT	5/13/74
Y	ADDED REVERB FT. SW. TO REVERB UNIT	5/13/74
Z	ADDED REVERB FT. SW. TO REVERB UNIT	5/13/74



ADDITIONAL SPECIFICATIONS		MATERIAL	
UNLESS OTHERWISE SPECIFIED		FINISH	
DECIMALS	± TOL.	FRACTIONS	± TOL.
X	.030	UP TO 6	1/64
XX	.020	6 TO 24	1/32
XXX	.010	ABOVE 24	1/16
THREADS - CLASS 2		COMPACTNESS	
FIT AFTER PLATING		FIT AFTER PLATING	
MACHINE FINISHES		ANGULAR TOL. ± 1/2°	
DIMENSIONS IN INCHES UNLESS OTHERWISE SPECIFIED ON DRAWING		DO NOT SCALE DRAWING	
<p>THIS MATERIAL IS THE PROPERTY OF, AND PROPRIETARY TO, THE MAGNAVOX COMPANY AND IS NOT TO BE DISCLOSED TO OTHERS OR USED FOR OTHER THAN AUTHORIZED MAGNAVOX PURPOSES WITHOUT THE WRITTEN PERMISSION OF THE MAGNAVOX COMPANY. THIS MATERIAL MUST BE RETURNED TO THE MAGNAVOX COMPANY WHEN THE HOLDER NO LONGER REQUIRES IT. USE FOR AUTHORIZED MAGNAVOX PURPOSES.</p>			
THE AMPEG COMPANY DIVISION OF THE MAGNAVOX COMPANY P.O. BOX 515 LINDEN, N.J. 07036		SIGNATURE DATE DATE	
SR-6 CONSOLE WITH S-48 SPEAKER COL.		SCALE	
D 591742		D 591742	