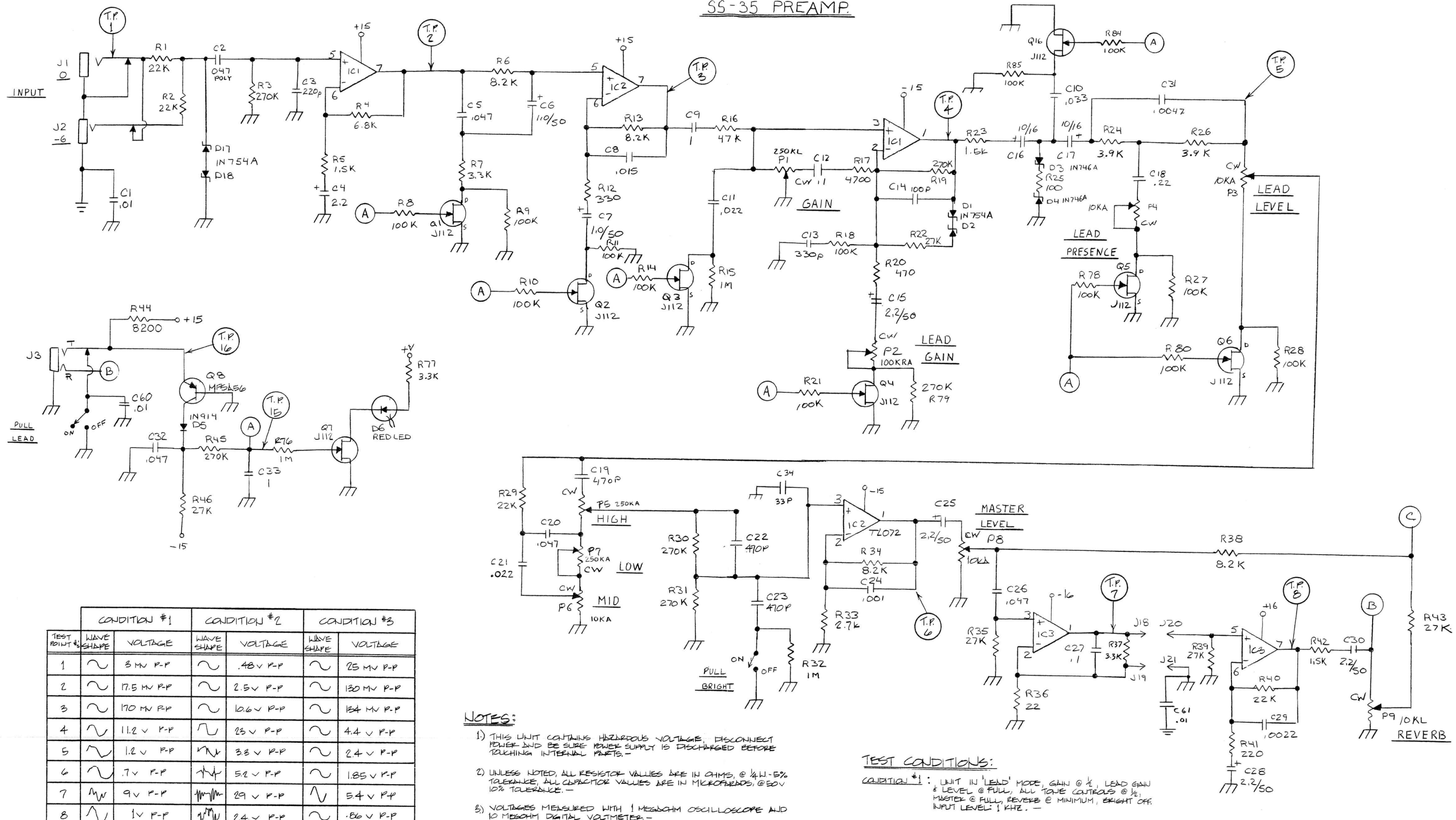


SS-35 PREAMP.



TEST POINT #	CONDITION #1		CONDITION #2		CONDITION #3	
	WAVE SHAPE	VOLTAGE	WAVE SHAPE	VOLTAGE	WAVE SHAPE	VOLTAGE
1		3 mV P-P		.48 v P-P		25 mV P-P
2		17.5 mV P-P		2.5 v P-P		130 mV P-P
3		170 mV P-P		10.6 v P-P		124 mV P-P
4		11.2 v P-P		23 v P-P		4.4 v P-P
5		1.2 v P-P		33 v P-P		2.4 v P-P
6		.7 v P-P		5.2 v P-P		1.85 v P-P
7		9 v P-P		29 v P-P		5.4 v P-P
8		1 v P-P		2.4 v P-P		.86 v P-P

15	—	59 mV DC	—	66.5 mV DC		-15.6 v DC
16	—	.67 v DC	—	.66 v DC	—	0V DC

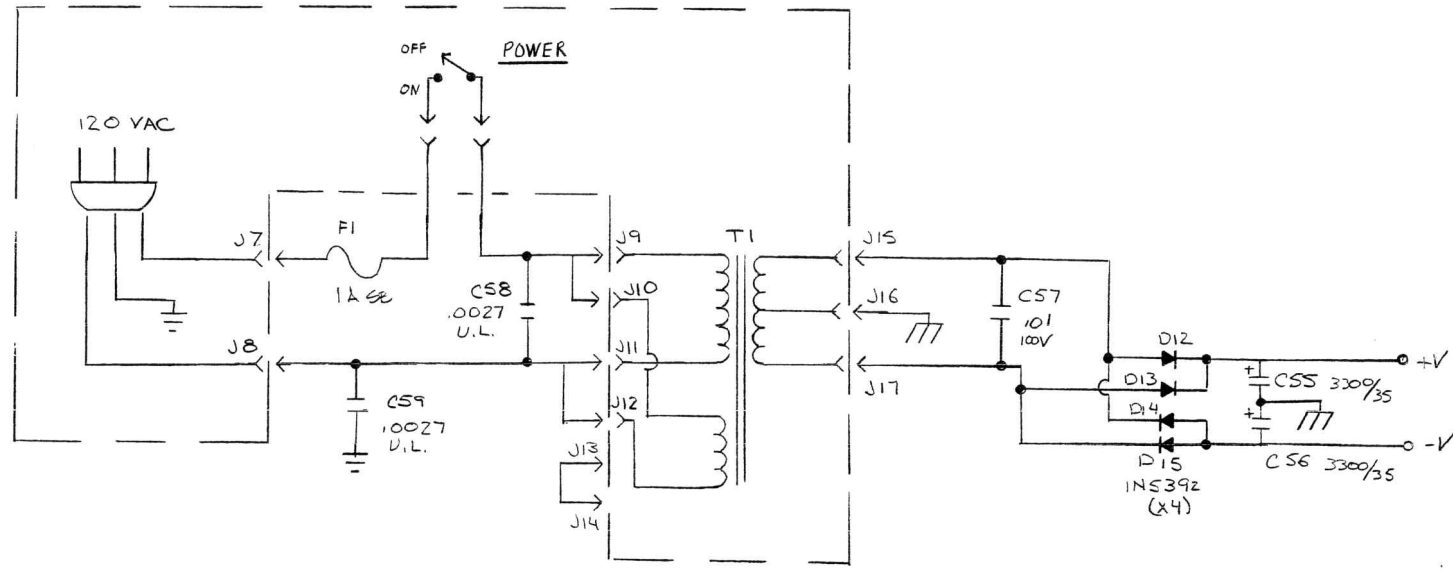
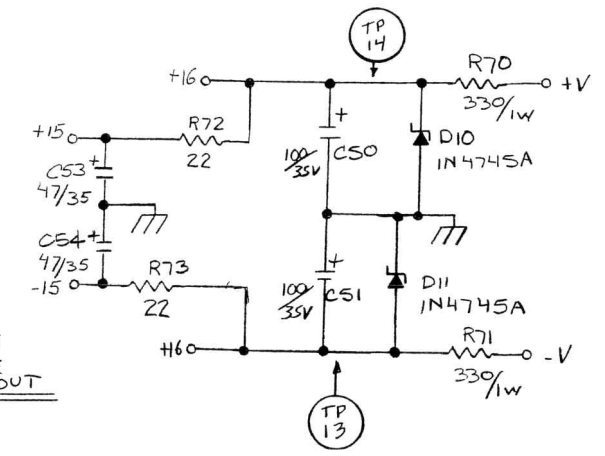
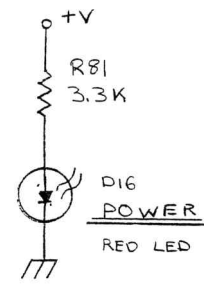
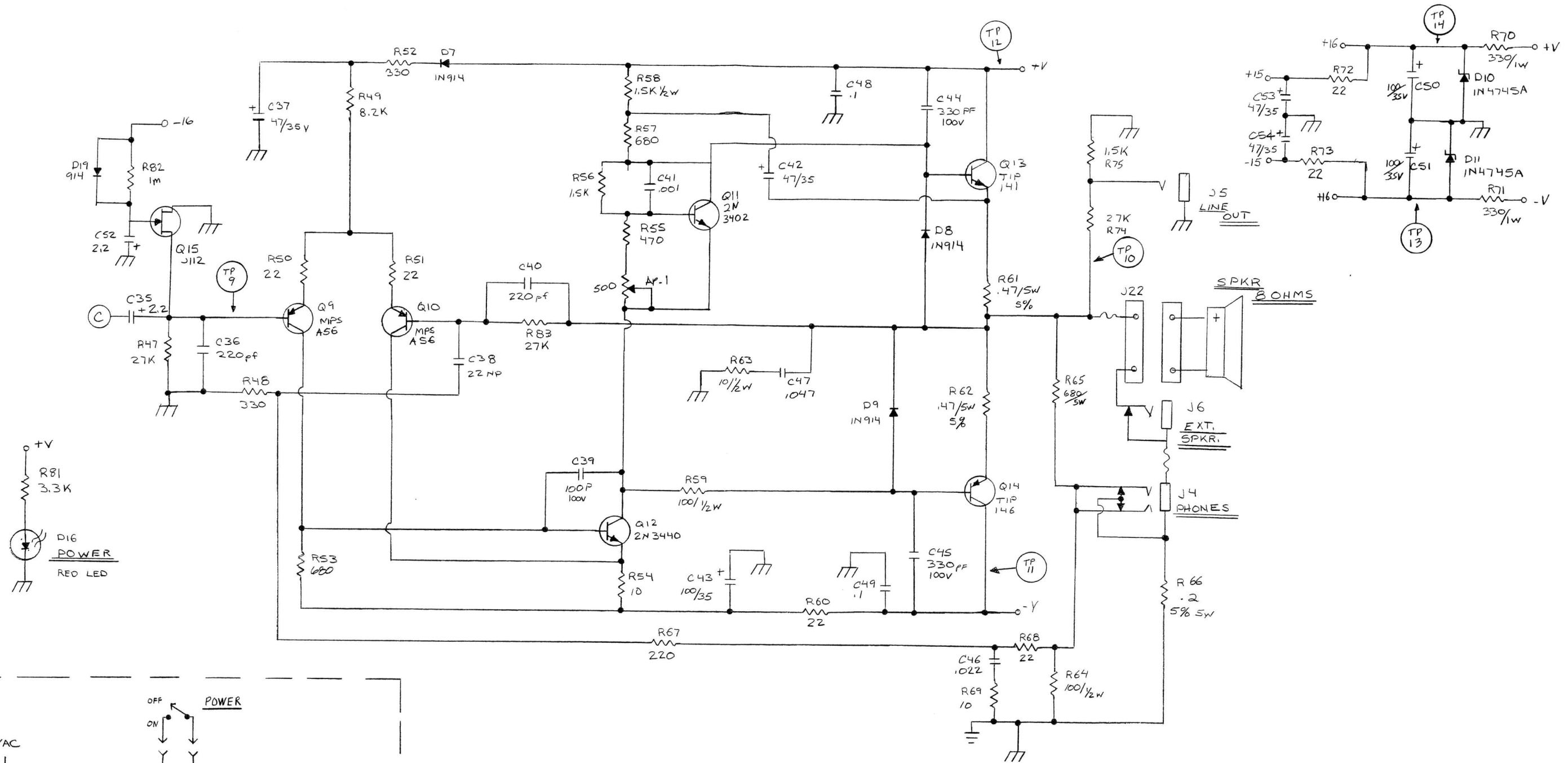
NOTES:

- 1) THIS UNIT CONTAINS HAZARDOUS VOLTAGE. DISCONNECT POWER AND BE SURE POWER SUPPLY IS DISCHARGED BEFORE TOUCHING INTERNAL PARTS.
- 2) UNLESS NOTED, ALL RESISTOR VALUES ARE IN OHMS, @ 1/4W, 5% TOLERANCE, ALL CAPACITOR VALUES ARE IN MICROFARADS, @ 50V 10% TOLERANCE.
- 3) VOLTAGES MEASURED WITH 1 MEGOHM OSCILLOSCOPE AND 10 MEGOHM DIGITAL VOLTMETER.
- 4) BIAS SET-UP: START WITH AMPLIFIER 'COLD', NO SIGNAL INPUT, NO LOAD CONNECTED (DISCONNECT SPEAKER). ADJUST AP-1 FOR 15-20 MV ACROSS R61 OR R62.

TEST CONDITIONS:

- CONDITION #1:** UNIT IN 'LEAD' MODE, GAIN @ 1/2, LEAD LEVEL & LEAD PRESENCE @ FULL, ALL TONE CONTROLS @ 1/2, MASTER @ FULL, REVERB @ MINIMUM, BRIGHT OFF, INPUT LEVEL: 1 KHZ.
- CONDITION #2:** SAME AS #1, EXCEPT: LOW & HIGH @ FULL, PRESENCE @ MINIMUM, BRIGHT ON, INPUT FREQUENCY 300 HZ.
- CONDITION #3:** UNIT IN NORMAL MODE, GAIN @ FULL, LEAD CONTROLS @ 1/2, TONES @ 1/2, MASTER @ FULL, BRIGHT ON, REVERB @ MINIMUM.

TOLERANCES		REVISIONS		SS-35 PREAMP	
(EXCEPT AS NOTED)	NO.	DATE	BY		
DECIMAL	1			SLM ELECTRONICS	
FRACTIONAL	2			11000 BOR MAN ST. LOUIS MO 63116	
ANGULAR	3			SCALE	MATERIAL
	4			DATE	DRAWING NO.
	5			APPD	16-037-01



TEST POINT #	CONDITION #1		CONDITION #2		CONDITION #3	
	WAVE SHAPE	VOLTAGE	WAVE SHAPE	VOLTAGE	WAVE SHAPE	VOLTAGE
9		.44 V P-P		2.8 V P-P		1 V P-P
10		23 V P-P		46 V P-P		46 V P-P
11		-27.8 V DC .8 V P-P		-25.8 V DC 2 V P-P		-26 V DC 2 V P-P
12		28.1 V DC .8 V P-P		25.9 V DC 2.8 V P-P		25.8 V DC 2.2 V P-P
13		-15.53 V DC 5 MV P-P		-14.9 V DC 120 MV P-P		-15 V DC 2 MV P-P
14		16.23 V DC 7 MV P-P		13.2 V DC 120 MV P-P		15.83 V DC 90 MV P-P

TOLERANCES	REVISIONS		SS-35 POWER AMP	
(EXCEPT AS NOTED)	NO.	DATE	BY	
DECIMAL	1			SLMELECTRONICS
FRACTIONAL	2			11880 BORMAN ST. LOUIS MO. 63116
±	3			DRAWN BY: SCALE: MATERIAL:
±	4			CHK'D: DATE: 10-1-87 DRAWING NO:
±	5			TRACED: APP'D: 16037 01