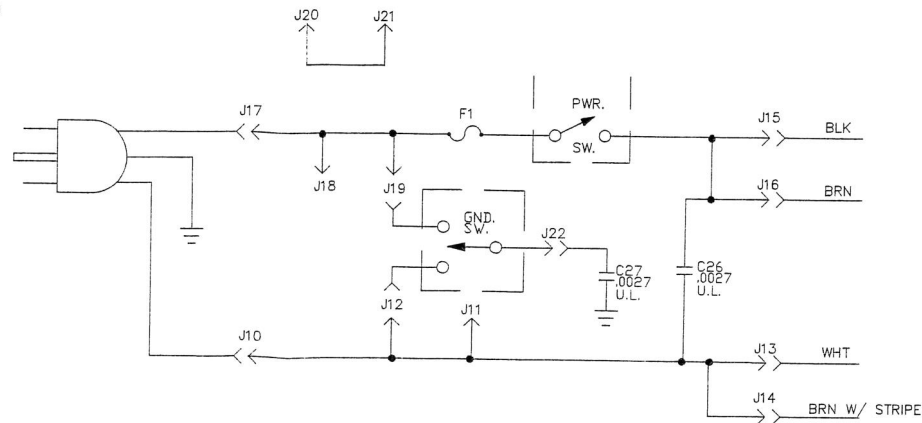
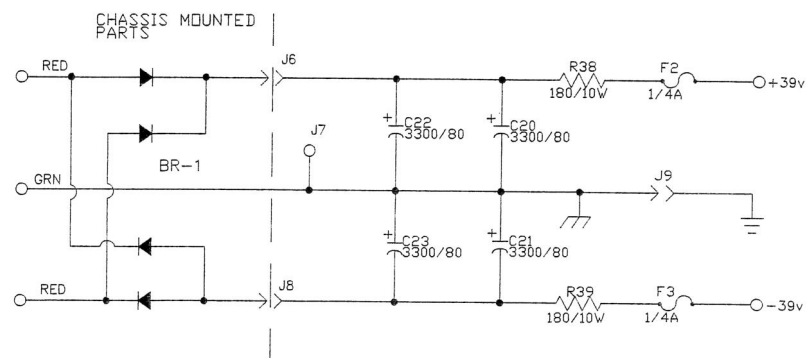


PART	DESCRIP.	PART NO.
D1, 2	1N746A	21A146-01
D3	1N4740	21A440-01
D4	1N914	21A914-01
D5	1N746A	21A146-01
D6, 7	1N914	21A914-01
D8	1N746A	21A146-01
D9	1N914	21A914-01
D10, 11	1N5393	21-593-01
D12	1N914	21A914-01
D13	1N4754A	21A454-01
Q1-3	MPSA56	96-056-01
Q4	2N3440	96-340-01
Q5	2N3402	96-342-01
Q6	MPSA06	96-006-01
Q7	MPSA55	96-055-01
Q8	MJE15023	96-130-01
Q9	MJE15031	96-131-01
Q10	MJ15022	96-122-01
Q11	MJ15023	96-123-01
Q12	MJ15022	96-122-01
Q13	MJ15023	96-123-01
Q14	J176	96-176-01
J1, 2	1/4" CLIFF	39-116-01
J3	(5) PIN HEADER	17-309-05
J4, 5	1/4" CLIFF	39-116-01
J6-8	.250 TAB	17-250-01
J9	GND LUG	17-500-01
J10-11	.250 TAB	17-250-01
J12	.187 TAB	17-894-01
J13-18	.250 TAB	17-250-01
J19	.187 TAB	17-894-01
J20-21	.250 TAB	17-250-01
J22	.187 TAB	17-894-01
AP-1	500 TRIM PDT	71-501-02
L1	.5mH CDIL	94-141-01
BR-1	BRIDGE RECT.	21-204-01
JW1-	JUMPER	76-000-02
F1	6A	23-306-01
F2, 3	1/4A	23-304-01
W1	RED	97-152-16
W2	BLK	97-168-86
W3	RED	97-152-16
W4, 5	BLK/.250	97-152-14

NOTES:

- 1) THIS UNIT CONTAINS HAZARDOUS VOLTAGE. DISCONNECT POWER SUPPLY AND BE SURE POWER SUPPLY IS DISCHARGED BEFORE TOUCHING INTERNAL PARTS.
- 2) UNLESS NOTED, RESISTOR VALUES IN OHMS, 1/4"-5% TOL. CAPACITOR VALUES IN MICROFARADS, 50V-10% TOL.
- 3) VOLTAGES MEASURED WITH 1 MEGOHM OSCILLOSCOPE AND 10 MEGOHM DIGITAL VOLTMETER.



ORIG.	DAN-9/1/88		
VERS.	DRAWN BY	CHECKED BY	APPROVED BY
PAGE #	1 OF 1	DRAWING #	16-038-01
DESCRIPTION: SS-150 PWR. AMP			
 SLM ELECTRONICS 11880 BORMAN DR. ST. LOUIS, MO 63146			