

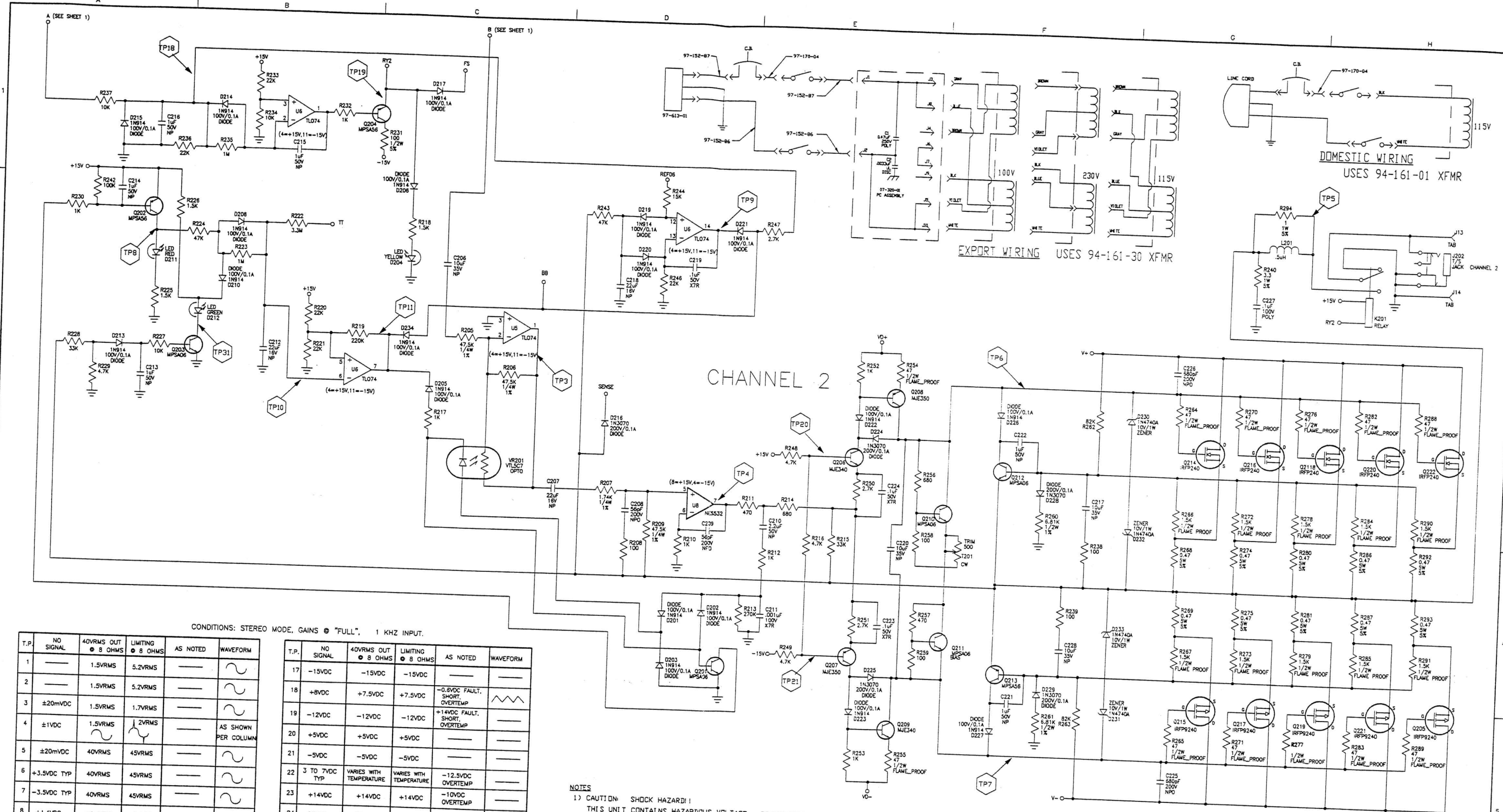
CHANNEL 1

PART OF CHANNEL 2

NOTE: SEE SHT. 2 FOR CHANNEL 2. TP CHART AND OTHER NOTES NOT USED J1, J2, J3, J12

SERVICE COPY

| | | | | | |
|------------------|--|----------|--|---|--|
| SIGNATURES: | | DATE: | | 11880 BORNHAY DR. ST. LOUIS, MISSOURI 63166 | |
| DRAWN: REM | | 10/19/95 | | PROJECT NAME: | |
| CHK'D: | | | | SVP-1500 | |
| APP'D: | | | | DRAWING NAME: | |
| ORIGINAL ISSUED: | | 10/19/95 | | POWER AMP SCHEMATIC | |
| PLOT DATE: | | 08/22/97 | | DRAWING NO. 07S436-70 | |
| PLOT TIME: | | 14:29:39 | | REV. 4 | |
| FILE NAME: | | 43670h4_ | | SCALE: 1:1 SHEET: 1 OF 2 | |



CONDITIONS: STEREO MODE, GAINS @ "FULL", 1 KHZ INPUT.

| T.P | NO SIGNAL | 40VRMS OUT @ 8 OHMS | LIMITING @ 8 OHMS | AS NOTED | WAVEFORM |
|-----|-------------|---------------------|-------------------|----------|------------------------|
| 1 | | 1.5VRMS | 5.2VRMS | | |
| 2 | | 1.5VRMS | 5.2VRMS | | |
| 3 | ±20mVDC | 1.5VRMS | 1.7VRMS | | |
| 4 | ±1VDC | 1.5VRMS | 2VRMS | | AS SHOWN PER COLUMN |
| 5 | ±20mVDC | 40VRMS | 45VRMS | | |
| 6 | +3.5VDC TYP | 40VRMS | 45VRMS | | |
| 7 | -3.5VDC TYP | 40VRMS | 45VRMS | | |
| 8 | +1.4VDC | +1.4VDC | +11VDC | | |
| 9 | +14VDC | +14VDC | +14VDC | | |
| 10 | +2.8VDC | +2.8VDC | +2.8VDC | | +7.5VDC OUTPUT SHORTED |
| 11 | +14VDC | +14VDC | +14VDC | | -10VDC OUTPUT SHORTED |
| 12 | 19VAC | 18VAC | 18VAC | | |
| 13 | 19VAC | 18VAC | 18VAC | | |
| 14 | +25VDC | +22VDC | +22VDC | | |
| 15 | -25VDC | -22VDC | -22VDC | | |
| 16 | +15VDC | +15VDC | +15VDC | | |

| T.P. | NO SIGNAL | 40VRMS OUT @ 8 OHMS | LIMITING @ 8 OHMS | AS NOTED | WAVEFORM |
|------|------------------|-------------------------|-------------------------|----------|--|
| 17 | -15VDC | -15VDC | -15VDC | | |
| 18 | +8VDC | +7.5VDC | +7.5VDC | | -0.5VDC FAULT, SHORT, OVERTEMP |
| 19 | -12VDC | -12VDC | -12VDC | | +14VDC FAULT, SHORT, OVERTEMP |
| 20 | +5VDC | +5VDC | +5VDC | | |
| 21 | -5VDC | -5VDC | -5VDC | | |
| 22 | 3 TO 7VDC TYP | VARIES WITH TEMPERATURE | VARIES WITH TEMPERATURE | | -12.5VDC OVERTEMP |
| 23 | +14VDC | +14VDC | +14VDC | | -10VDC OVERTEMP |
| 24 | 61VAC | 57VAC | 57VAC | | |
| 25 | 61VAC | 57VAC | 57VAC | | |
| 26 | +81VDC | +68VDC | +68VDC | | |
| 27 | -81VDC | -68VDC | -68VDC | | |
| 28 | +80VDC | +68VDC | +68VDC | | |
| 29 | -80VDC | -68VDC | -68VDC | | |
| 30 | -2VDC (WARM) TYP | VARIES WITH TEMPERATURE | VARIES WITH TEMPERATURE | | +2.5V (COLD) -10V (HOT OR FAULT, ETC.) |
| 31 | +12VDC | +1VDC | +1VDC | | |

NOTES

- CAUTION: SHOCK HAZARD! THIS UNIT CONTAINS HAZARDOUS VOLTAGE. DISCONNECT POWER AND BE SURE POWER SUPPLY IS DISCHARGED BEFORE TOUCHING INTERNAL PARTS.
- UNLESS NOTED, RESISTOR VALUES IN OHMS, 1/4W-5% TOL. CAPACITOR VALUES IN MICROFARADS, 50V-10% TOL.
- VOLTAGES ARE MEASURED WITH 1 MEGOHM OSCILLOSCOPE AND 10 MEGOHM DIGITAL VOLTMETER.
- CHASSIS GROUND = SIGNAL GROUND ≠ CIRCUIT GROUND ≠
- TO SET BIAS, ADJUST T201 UNTIL VOLTAGE ACROSS R268, 274, R280, R286 & R292 AVERAGES 20mV WHEN COLD OR THOROUGHLY WARMED UP. CONDITIONS = NO SIGNAL, NO LOAD. T101, R168, R174, ETC. FOR CHANNEL 1.
- = TEST POINTS FOR CHANNEL 2.
- WHEN CHECKING TEST POINTS WITH OUTPUT SHORTED, UNIT WILL OPEN RELAY AFTER 2-5 SECONDS, AND CLOSE RELAY AGAIN AFTER 5-10 SECONDS. IF STILL SHORTED, CYCLE WILL REPEAT. TEST POINT VOLTAGES ARE WITH RELAY OPEN.

CAUTION: THIS SCHEMATIC IS PROVIDED FOR USE BY QUALIFIED PERSONNEL. TO AVOID RISK OF ELECTRIC SHOCK, REFER SERVING TO QUALIFIED SERVICE PERSONNEL. DO NOT PERFORM ANY SERVICING BEYOND THAT EXPLAINED IN THE OPERATING INSTRUCTIONS.

SEE SHEET 1 OF 2 FOR REVISION DESCRIPTION

| | | |
|------------------|----------|---|
| SIGNATURES: | DATE: | Y1880 BORHAM DL ST. LOUIS, MISSOURI 63146 |
| DRAWN: REM | 10/19/95 | |
| CHK'D: | | PROJECT NAME: |
| APP'D: | | SVP-1500 |
| ORIGINAL ISSUED: | 10/19/95 | DRAWING NAME: |
| PLOT DATE: | 08/22/97 | POWER AMP SCHEMATIC |
| PLOT TIME: | 14:29:39 | DRAWING NO. 07S436-70 |
| FILE NAME: | 41R707A | REV. 4 |