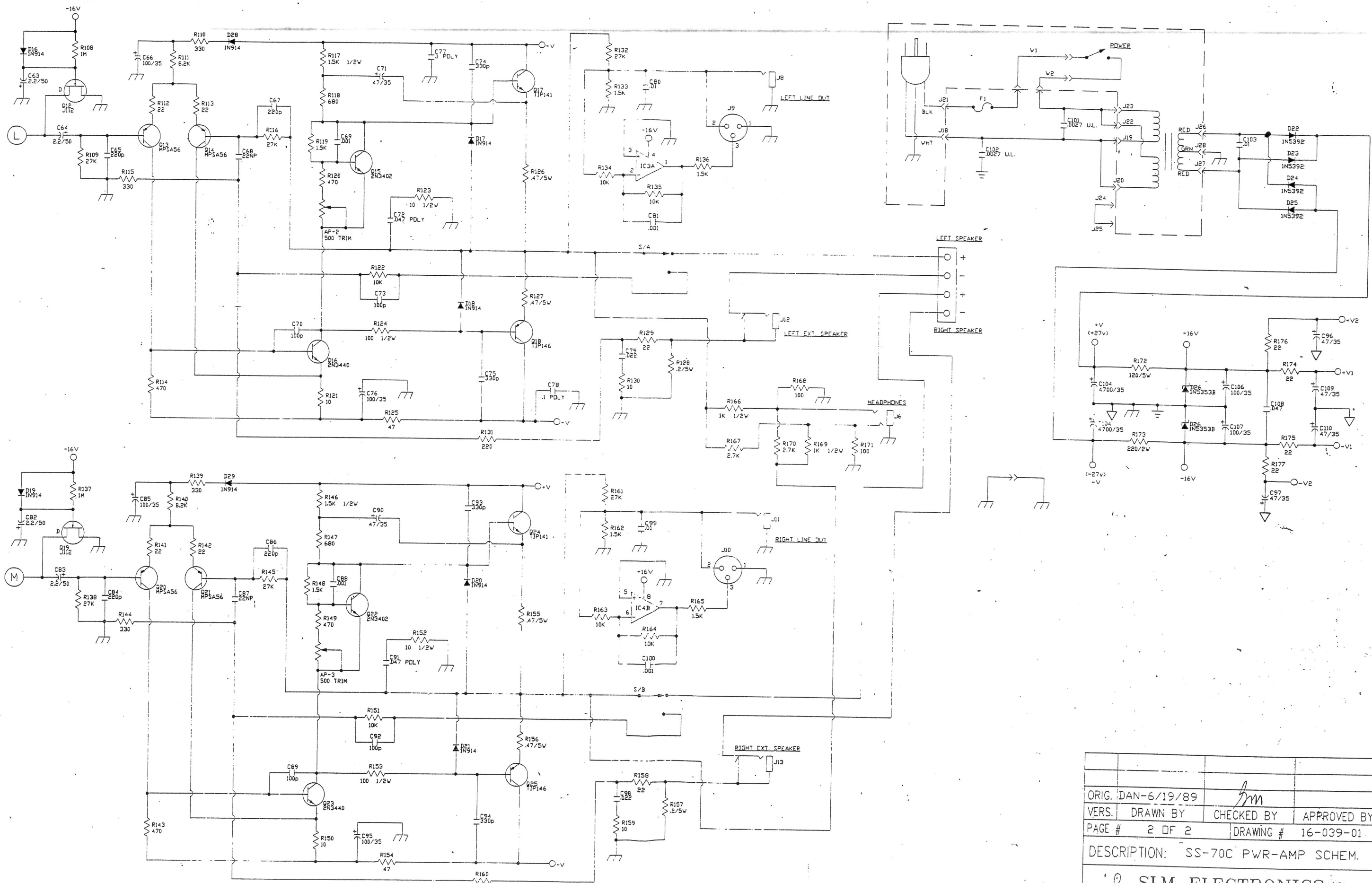


CAUTION:
 THIS SCHEMATIC IS PROVIDED FOR USE BY QUALIFIED PERSONNEL TO AVOID RISK OF ELECTRIC SHOCK, REFER SERVICING TO QUALIFIED SERVICE PERSONNEL. DO NOT PERFORM ANY SERVICING BEYOND THAT EXPLAINED IN THE OPERATING INSTRUCTIONS.


- NOTES**
- 1) CAUTION: SHOCK HAZARD!! THIS UNIT CONTAINS HAZARDOUS VOLTAGE. DISCONNECT POWER AND BE SURE POWER SUPPLY IS DISCHARGED BEFORE TOUCHING INTERNAL PARTS.
 - 2) UNLESS NOTED, RESISTOR VALUES IN OHMS, 1/4W-5% TOL. CAPACITOR VALUES IN MICROFARADS, 50V-10% TOL.
 - 3) VOLTAGES ARE MEASURED WITH 1 MEGOHM OSCILLOSCOPE AND 10 MEGOHM DIGITAL VOLTMETER.
 - 4) CIRCUIT GROUND ∇ SWITCH GROUND ∇ CHASSIS GROUND ∇

ORIG. DAN-6/16/89	bm	
VERS. DRAWN BY	CHECKED BY	APPROVED BY
PAGE # 1 OF 2	DRAWING # 16-039-01	
DESCRIPTION: SS-70C PRE-AMP SCHEM.		

SLM ELECTRONICS.
 11880 BORMAN DR.
 ST. LOUIS, MO 63146



ORIG. DAN-6/19/89	Checked by <i>lm</i>	APPROVED BY
VERS. DRAWN BY	CHECKED BY	APPROVED BY
PAGE # 2 OF 2	DRAWING # 16-039-01	
DESCRIPTION: SS-70C PWR-AMP SCHEM.		


SLM ELECTRONICS
 11880 BORMAN DR.
 ST. LOUIS, MO 63146