


TP	NO SIGNAL	40VRMS OUT @ 8 OHMS	LIMITING @ 8 OHMS	WAVEFORM
13	VARIABLES W/TEMP	VARIABLES W/TEMP	VARIABLES W/TEMP	—
14	61VAC	60VAC	60VAC	~
15	61VAC	60VAC	60VAC	~
16	+14VDC	-4.6VDC	-4.6VDC	—
17	+14.4VDC	+14.4VDC	+14.4VDC	—
18	20VAC	19VAC	19VAC	~
19	20VAC	19VAC	19VAC	~
20	+82VAC	+76.3VAC	+76.3VAC	~
21	+83VAC	+76VAC	+76VAC	~
22	-83VAC	-76VAC	-76VAC	~
23	-82VAC	-76.3VAC	-76.3VAC	~
24	+6VDC	+5.73VDC	+5.73VDC	—
25	+14.3VDC	+14.3VDC	+14.3VDC	—
26	+15VDC	+15VDC	+15VDC	—
27	-15VDC	-15VDC	-15VDC	—

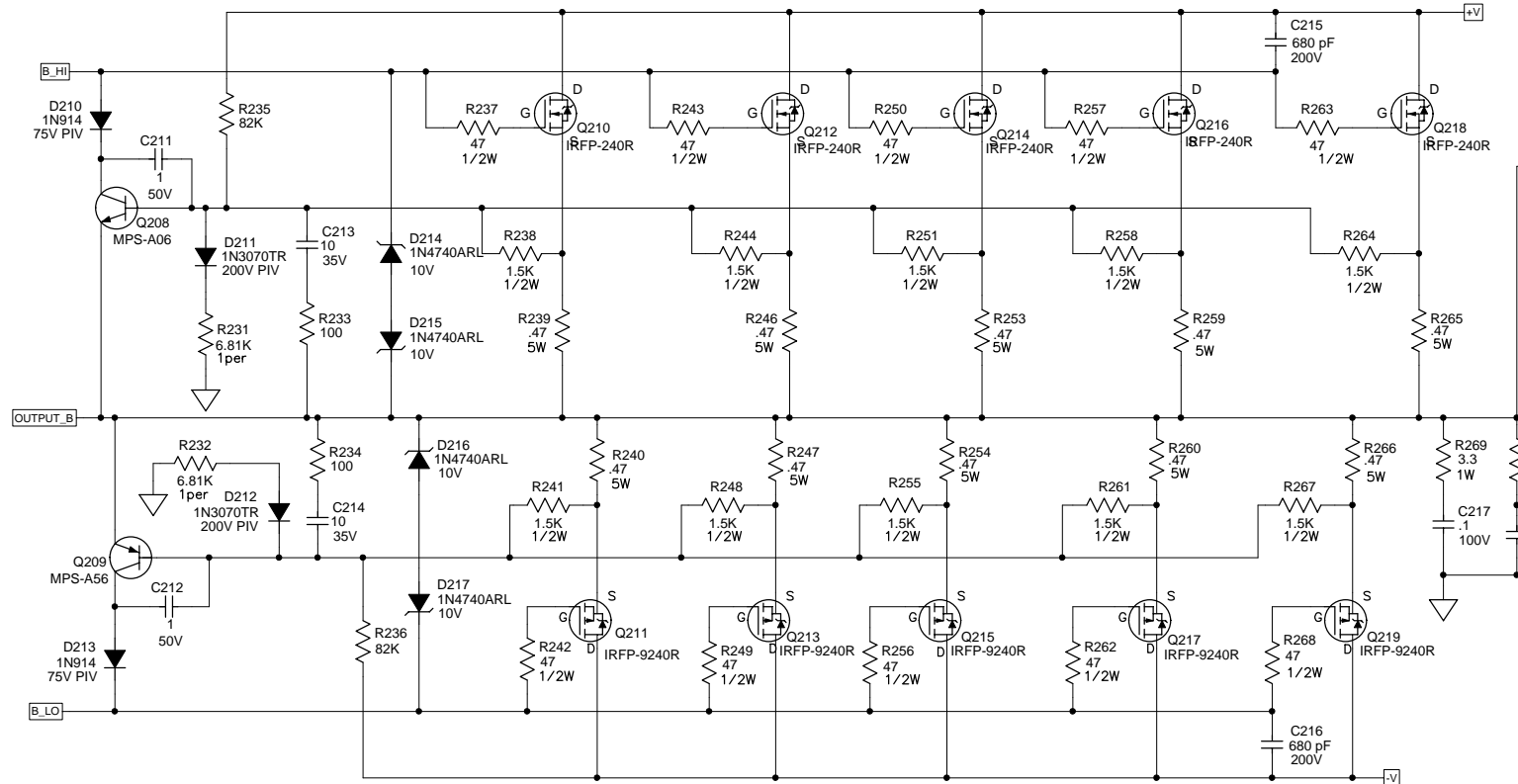
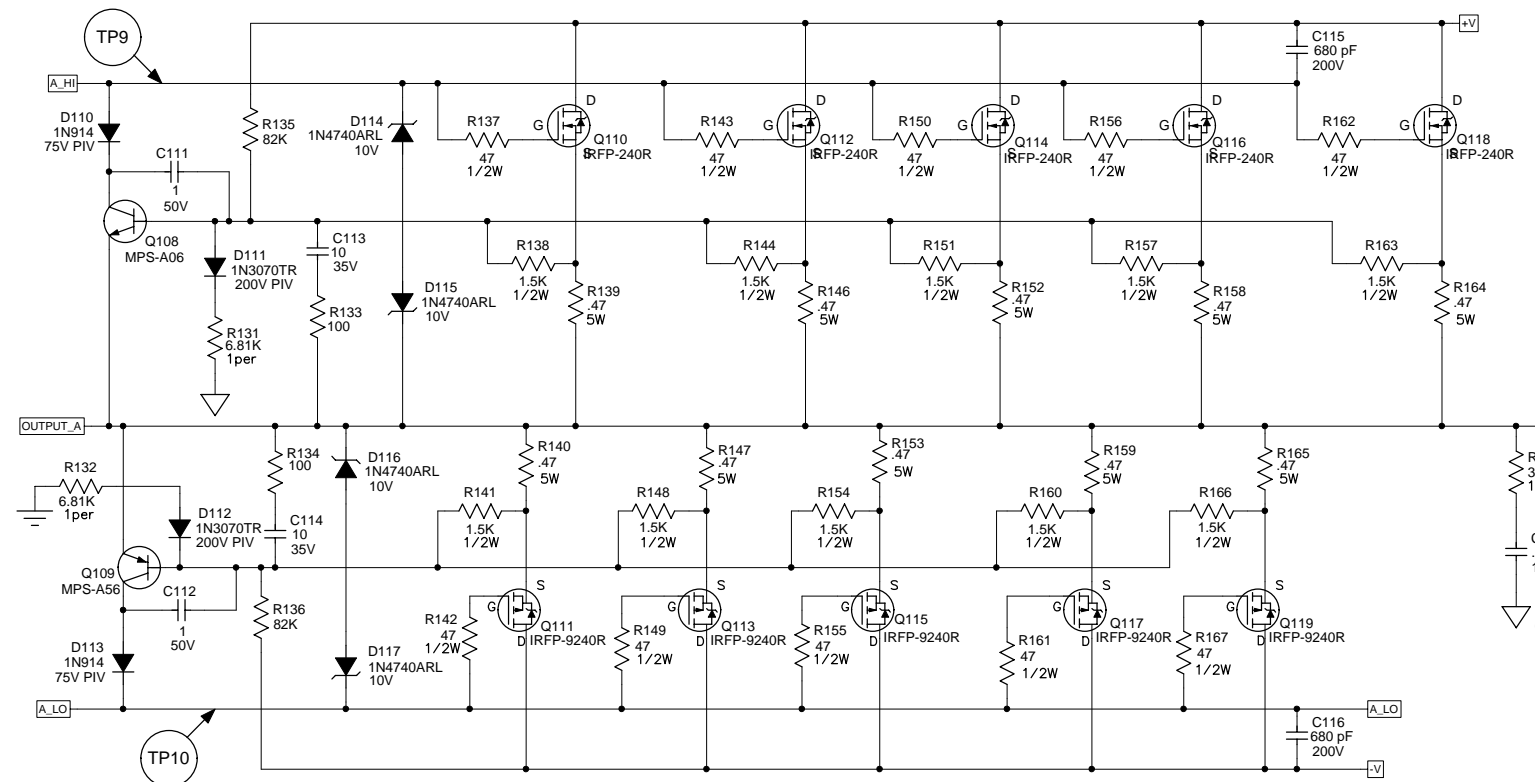
TP	NO SIGNAL	40VRMS OUT @ 8 OHMS	LIMITING @ 8 OHMS	WAVEFORM
1	—	.45Vrms	.53Vrms	~
2	—	.45Vrms	.53Vrms	~
3	+/- 20mVDC	1.5V	1.5V	~
4	+/- 1VDC	2.6VDC	2.6VDC	~
5	0 VDC NORMAL	+15VDC LIMIT DEFEAT		
6	+5VDC	+4.82VDC	+4.82VDC	—
7	-5VDC	-5.12VDC	-5.12VDC	—
8	0V	+43.6mVDC	+74mVDC	~

P1, P2 FULLY CLOCKWISE, 1KHz INPUT.

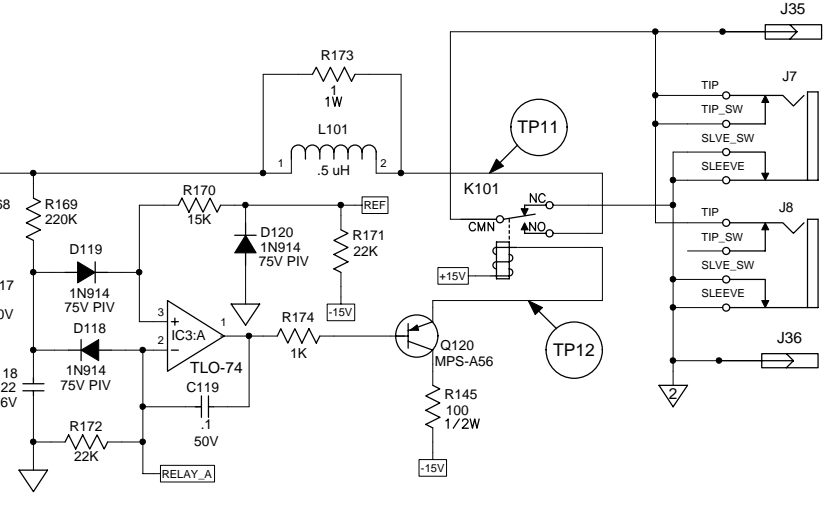
CAUTION:
THIS SCHEMATIC IS PROVIDED FOR USE BY QUALIFIED PERSONNEL. TO AVOID RISK OF ELECTRIC SHOCK, REFER SERVICING TO QUALIFIED SERVICE PERSONNEL. DO NOT PERFORM ANY SERVICING BEYOND THAT EXPLAINED IN THE OPERATING INSTRUCTIONS.

NOTES:
1) CAUTION: SHOCK HAZARD!! THIS UNIT CONTAINS HAZARDOUS VOLTAGE. DISCONNECT POWER AND BE SURE POWER SUPPLY IS DISCHARGED BEFORE TOUCHING INTERNAL PARTS.
2) UNLESS NOTED, RESISTOR VALUES IN OHMS, 1/4W-5% TOL. CAPACITOR VALUES IN MICROFARADS, 50V-10% TOL.
3) VOLTAGES ARE MEASURED WITH 1 MEGOHM OSCILLOSCOPE AND 10 MEGOHM DIGITAL VOLTMETER.

0	9/12/03	CONTROL ISSUE				
A	7/01/03	INITIAL ISSUE				
REV	Date	DESCRIPTION	Ecr(s)/Ecn(s)	Chgd By	Appvd by	Date
THE INFORMATION CONTAINED ON THIS DRAWING IS PROPRIETARY TO ST. LOUIS MUSIC, INC						
Signatures:		Date:		 11880 Borman Drive, St. Louis, MO 63146		
Drawn: REM		03/16/01		First Used On:		
Checked:						
Released:						
Plot Date: Fri Sep 12, 2003		Drawing Size: C		Drawing Title: SCHEMATIC- BASS PWRAMP		
Plot Time: 09:09:26		Drawing Type: Schematic		Drawing Number: 07S468		
Tolerance:		Class Code: NONE		Sheet 1 of 3		



TP	NO SIGNAL	40VRMS OUT @ 8 OHMS	LIMITING @ 8 OHMS	WAVEFORM
9	+3.6VDC	40Vrms	45Vrms	~
10	-3.5VDC	40Vrms	45Vrms	~
11	7.2mVDC	40Vrms	45Vrms	~
12	-12 VDC NORMAL		+15VDC FAULT	

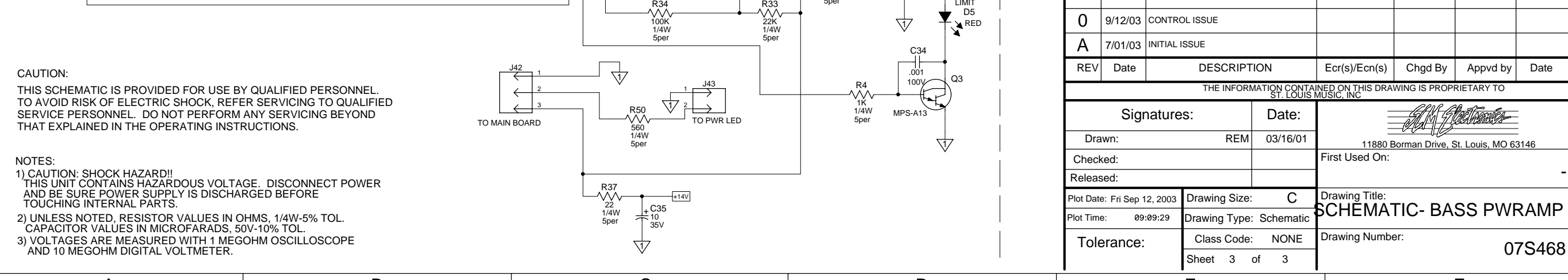
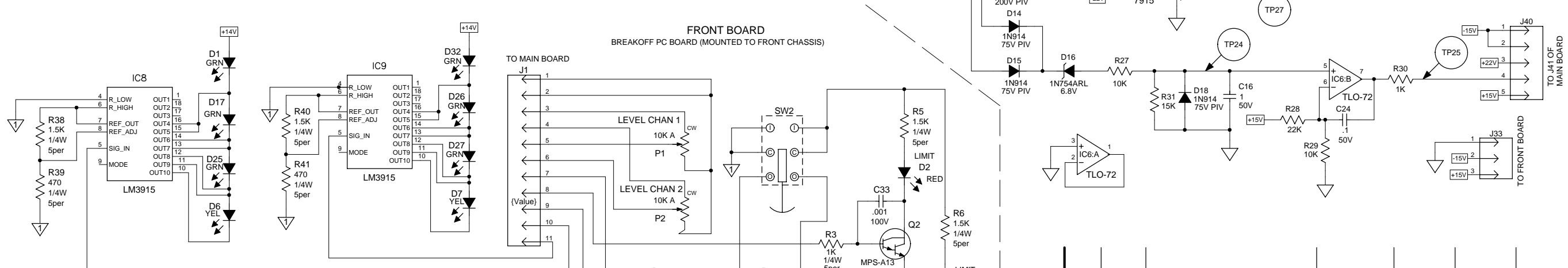
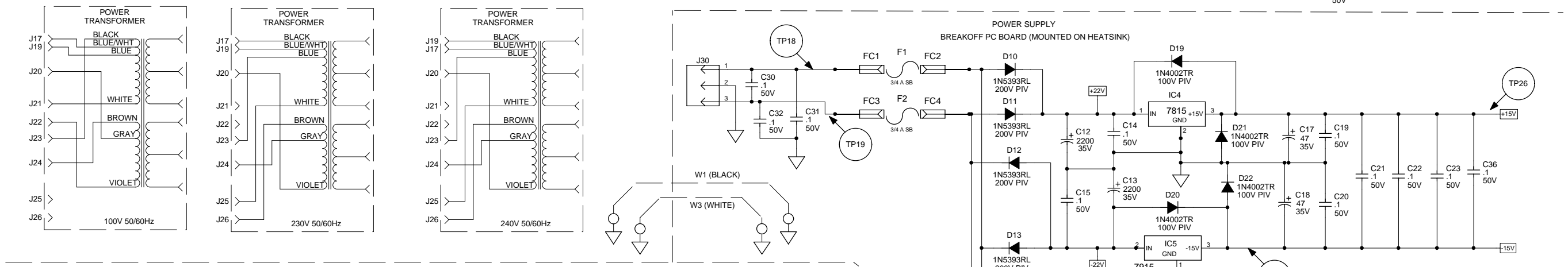
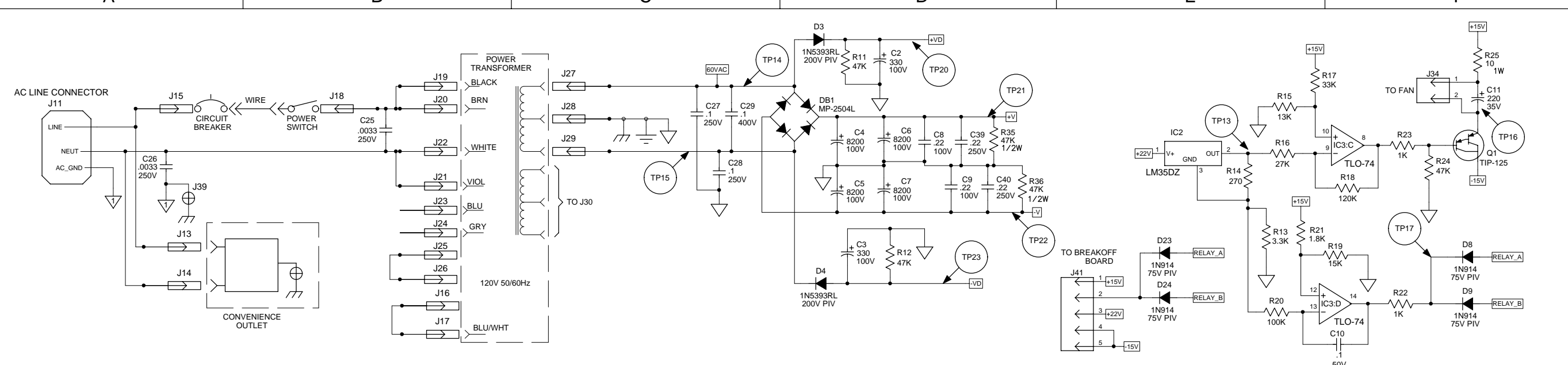


CAUTION:
THIS SCHEMATIC IS PROVIDED FOR USE BY QUALIFIED PERSONNEL. TO AVOID RISK OF ELECTRIC SHOCK, REFER SERVICING TO QUALIFIED SERVICE PERSONNEL. DO NOT PERFORM ANY SERVICING BEYOND THAT EXPLAINED IN THE OPERATING INSTRUCTIONS.

BIAS ADJUSTMENT: WITH NO SIGNAL AND NO LOAD
ADJUST AP101 TO OBTAIN 25 ± 5 mV ACROSS R139, R140, R146, R147, R152, R153, R158, R159, R164, R165.
ADJUST AP201 TO OBTAIN 25 ± 5 mV ACROSS R239, R240, R246, R247, R252, R253, R258, R259, R264, R265.

- NOTES:**
- 1) CAUTION: SHOCK HAZARD!! THIS UNIT CONTAINS HAZARDOUS VOLTAGE. DISCONNECT POWER AND BE SURE POWER SUPPLY IS DISCHARGED BEFORE TOUCHING INTERNAL PARTS.
 - 2) UNLESS NOTED, RESISTOR VALUES IN OHMS, 1/4W-5% TOL. CAPACITOR VALUES IN MICROFARADS, 50V-10% TOL.
 - 3) VOLTAGES ARE MEASURED WITH 1 MEGOHM OSCILLOSCOPE AND 10 MEGOHM DIGITAL VOLTMETER.

0	9/12/03	CONTROL ISSUE				
A	7/01/03	INITIAL ISSUE				
REV	Date	DESCRIPTION	Ecr(s)/Ecn(s)	Chgd By	Appvd by	Date
THE INFORMATION CONTAINED ON THIS DRAWING IS PROPRIETARY TO ST. LOUIS MUSIC, INC.						
Signatures:			Date:		 11880 Borman Drive, St. Louis, MO 63146 First Used On:	
Drawn: REM		03/16/01				
Checked:						
Released:				Drawing Title: SCHEMATIC- BASS PWRAMP		
Plot Date: Fri Sep 12, 2003		Drawing Size: C		Drawing Number: 07S468		
Plot Time: 09:09:28		Drawing Type: Schematic				
Tolerance:		Class Code: NONE		Sheet 2 of 3		



CAUTION:
THIS SCHEMATIC IS PROVIDED FOR USE BY QUALIFIED PERSONNEL. TO AVOID RISK OF ELECTRIC SHOCK, REFER SERVICING TO QUALIFIED SERVICE PERSONNEL. DO NOT PERFORM ANY SERVICING BEYOND THAT EXPLAINED IN THE OPERATING INSTRUCTIONS.

NOTES:
1) CAUTION: SHOCK HAZARD!! THIS UNIT CONTAINS HAZARDOUS VOLTAGE. DISCONNECT POWER AND BE SURE POWER SUPPLY IS DISCHARGED BEFORE TOUCHING INTERNAL PARTS.
2) UNLESS NOTED, RESISTOR VALUES IN OHMS, 1/4W-5% TOL. CAPACITOR VALUES IN MICROFARADS, 50V-10% TOL.
3) VOLTAGES ARE MEASURED WITH 1 MEGOHM OSCILLOSCOPE AND 10 MEGOHM DIGITAL VOLTMETER.