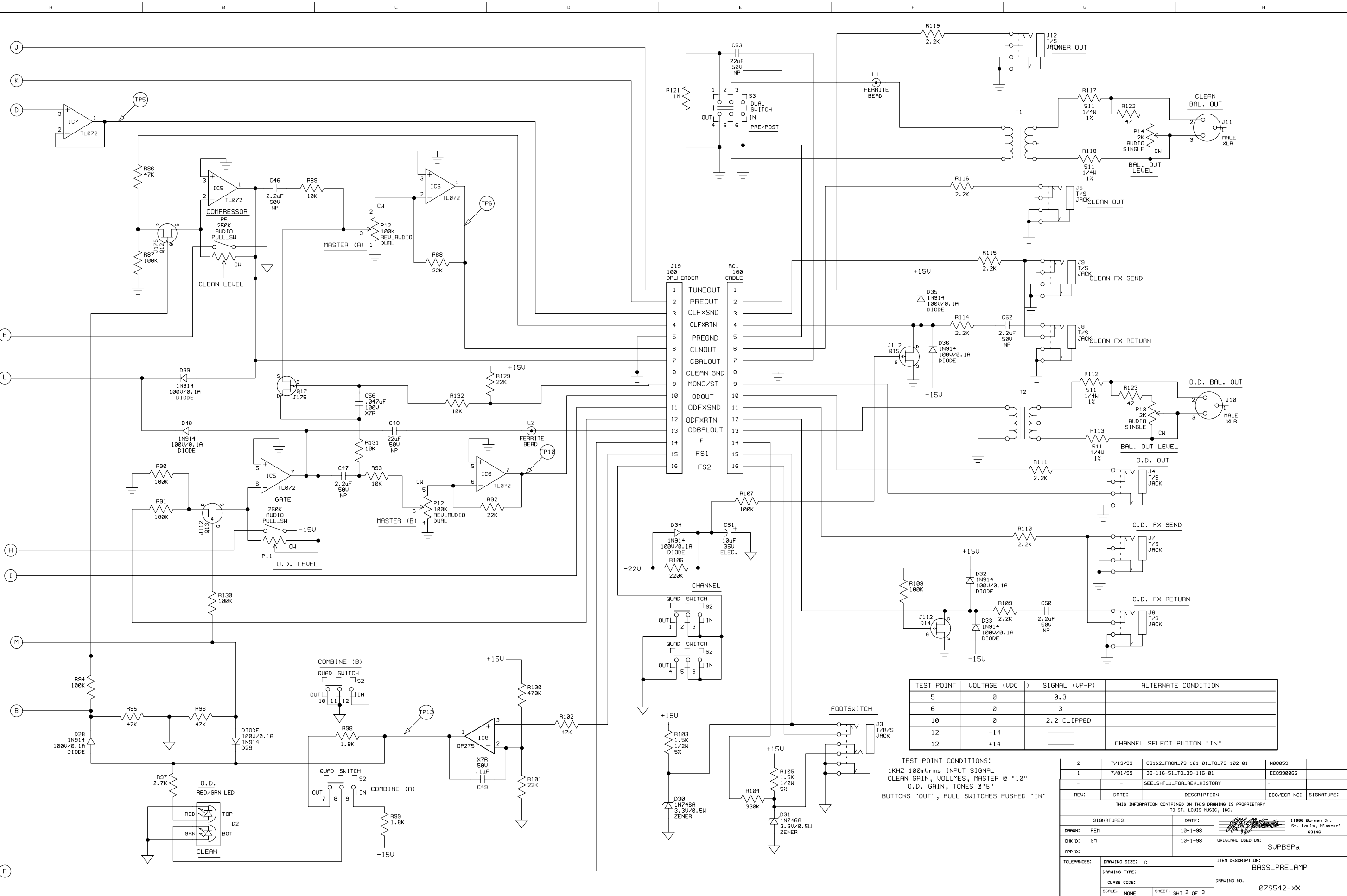


TEST POINT	VOLTAGE (VDC)	SIGNAL (UP-P)	ALTERNATE CONDITION
1	0	14	
1	0	2.5	PAD BUTTON "IN"
2	0	1	
3	1.2		
3	2.1		COMPRESSOR SWITCH PULLED "OUT"
4	12		
4	0		MUTE BUTTON "IN"


TEST POINT CONDITIONS:
 1KHZ 100mVrms INPUT SIGNAL
 CLEAN GAIN, VOLUMES, MASTER @ "10"
 O.D. GAIN, TONES @ "5"
 BUTTONS "OUT", PULL SWITCHES PUSHED "IN"

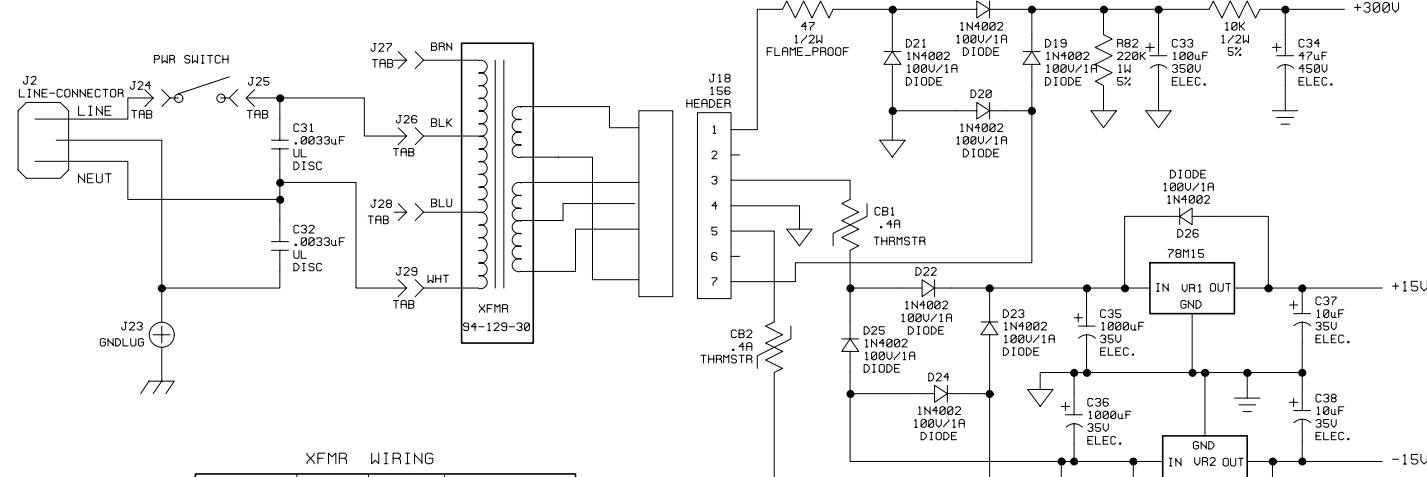
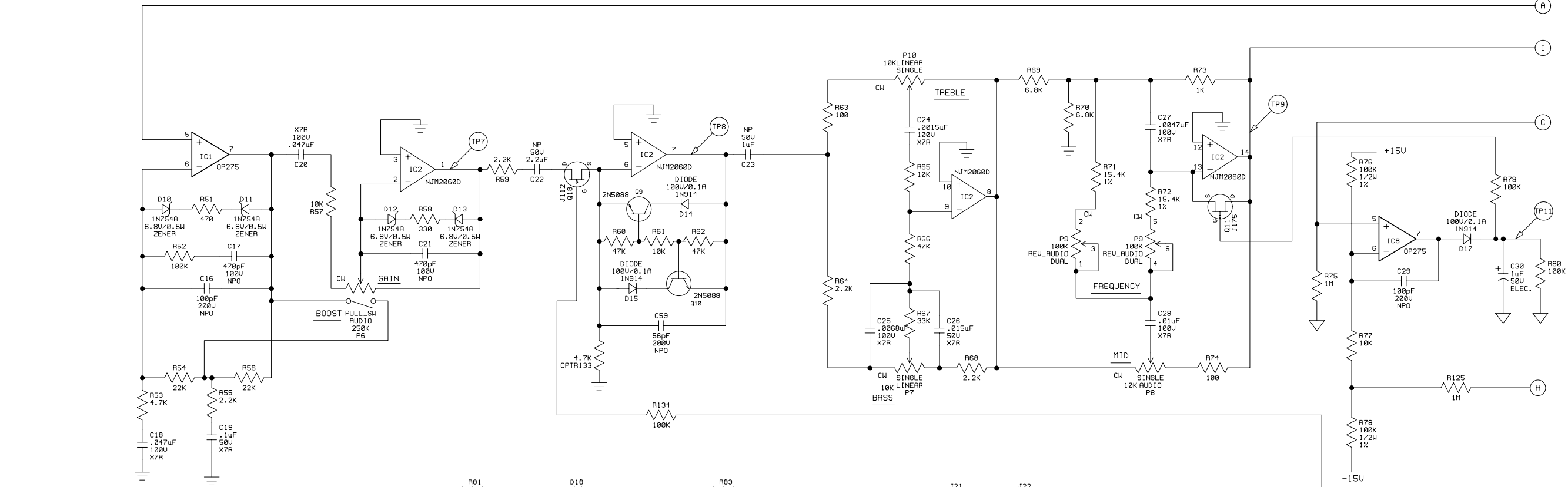
2	7/13/99	CB1A2_FROM_73-101-01_TO_73-102-01	N00059
1	7/01/99	39-116-51_TO_39-116-01	EC0390065
0	-	ORIGINAL ISSUE	-
REV:	DATE:	DESCRIPTION	ECO/ECA NO: SIGNATURE:
THIS INFORMATION CONTAINED ON THIS DRAWING IS PROPRIETARY TO ST. LOUIS MUSIC, INC.			
SIGNATURES:		DATE:	11880 Berman Dr. St. Louis, Missouri 63146
DRAWN: REM		10-1-98	
CHK'D: -			ORIGINAL USED ON: SUPBSPa
APP'D:			ITEM DESCRIPTION: BASS_PRE_AMP
TOLERANCES:	DRAWING SIZE: D		DRAWING NO. 075542-XX
	DRAWING TYPE:		
	CLASS CODE:		
	SCALE: NONE	SHEET: SHT 1 OF 3	



TEST POINT	VOLTAGE (VDC)	SIGNAL (UP-P)	ALTERNATE CONDITION
5	0	0.3	
6	0	3	
10	0	2.2 CLIPPED	
12	-14		
12	+14		CHANNEL SELECT BUTTON "IN"

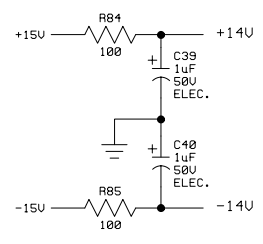
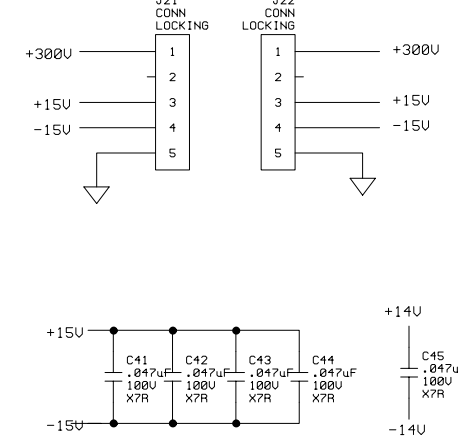
TEST POINT CONDITIONS:
 1KHZ 100mVrms INPUT SIGNAL
 CLEAN GAIN, VOLUMES, MASTER @ "10"
 O.D. GAIN, TONES @ "5"
 BUTTONS "OUT", PULL SWITCHES PUSHED "IN"

2	7/13/99	CB1&2_FROM.73-101-01..TO.73-102-01	N00059
1	7/01/99	39-116-51..TO.39-116-01	EC0990065
-	-	SEE_SHT.1_FOR_REV_HISTORY	-
REV:	DATE:	DESCRIPTION	ECO/ECR NO: SIGNATURE:
THIS INFORMATION CONTAINED ON THIS DRAWING IS PROPRIETARY TO ST. LOUIS MUSIC, INC.			
SIGNATURES:		DATE:	11800 Borman Dr. St. Louis, Missouri 63146
DRAWN: REM	10-1-98	 ORIGINAL USED ON: SUPBSP a	
CHK'D: GM	10-1-98		
APP'D:		DRAWING SIZE: D	ITEM DESCRIPTION: BASS_PRE_AMP
TOOLERANCES:	DRAWING TYPE:	CLASS CODE:	DRAWING NO. 07SS42-XX
SCALE: NONE	SHEET: SHT 2 OF 3		



XFMR WIRING

AC TAB	100V	120V	220V-240V
J26	BLU	BLK	BRN
J27	BRN	BRN	BLK
J28	BLK	BLU	BLU
J29	WHT	WHT	WHT



IC VOLTAGE CHART

IC	+VOLTAGE	- VOLTAGE
IC1	PIN 8 = +14V	PIN4 = -14V
IC2	PIN 4 = +15V	PIN11 = -15V
IC3-8	PIN 8 = +15V	PIN4 = -15V

TEST POINT	VOLTAGE (VDC)	SIGNAL (UP-P)	ALTERNATE CONDITION
7	0	3	
7	0	3 CLIPPED	BOOST SWITCH PULLED "OUT"
8	0	2.6 CLIPPED	
9	0	0.4 CLIPPED	
11	14		
11	0		GATE SWITCH PULLED "OUT" W/NO SIGNAL

CAUTION:
THIS SCHEMATIC IS PROVIDED FOR USE BY QUALIFIED PERSONNEL. TO AVOID RISK OF ELECTRIC SHOCK, REFER SERVICING TO QUALIFIED SERVICE PERSONNEL. DO NOT PERFORM ANY SERVICING BEYOND THAT EXPLAINED IN THE OPERATING INSTRUCTIONS.

- NOTES:**
- 1) CAUTION: SHOCK HAZARD!! THIS UNIT CONTAINS HAZARDOUS VOLTAGE. DISCONNECT POWER AND BE SURE POWER SUPPLY IS DISCHARGED BEFORE TOUCHING INTERNAL PARTS.
 - 2) UNLESS NOTED, RESISTOR VALUES IN OHMS, 1/4W-5% TOL. CAPACITOR VALUES IN MICROFARADS, 50V-10% TOL.
 - 3) VOLTAGES ARE MEASURED WITH 1 MEGOHM OSCILLOSCOPE AND 10 MEGOHM DIGITAL VOLTMETER.
 - 4) SIGNAL DIRTY CHASSIS

TEST POINT CONDITIONS:
1KHZ 100mVrms INPUT SIGNAL
CLEAN GAIN, VOLUMES, MASTER @ "10"
O.D. GAIN, TONES @ "5"
BUTTONS "OUT", PULL SWITCHES PUSHED "IN"

REV	DATE	DESCRIPTION	ECO/ECR NO	SIGNATURE
2	7/13/99	CB1X2_FROM_73-101-01_TO_73-102-01	N80059	
1	7/81/99	CONTROL_ISSUE	EC0990065	
-	-	SEE_SHT_1_FOR_REV_HISTORY	-	

THIS INFORMATION CONTAINED ON THIS DRAWING IS PROPRIETARY TO ST. LOUIS MUSIC, INC.

SIGNATURES:	DATE:	11800 Borman Dr. St. Louis, Missouri 63146
DRAWN: REM	10-1-98	
CHK'D: -	-	ORIGINAL USED ON: SUPBSP a
APP'D:		

TOLERANCES:	DRAWING SIZE:	ITEM DESCRIPTION:
	D	BASS_PRE_AMP
		DRAWING NO. 075542-XX
		CLASS CODE:
		SCALE: NONE
		SHEET: SHT 3 OF 3