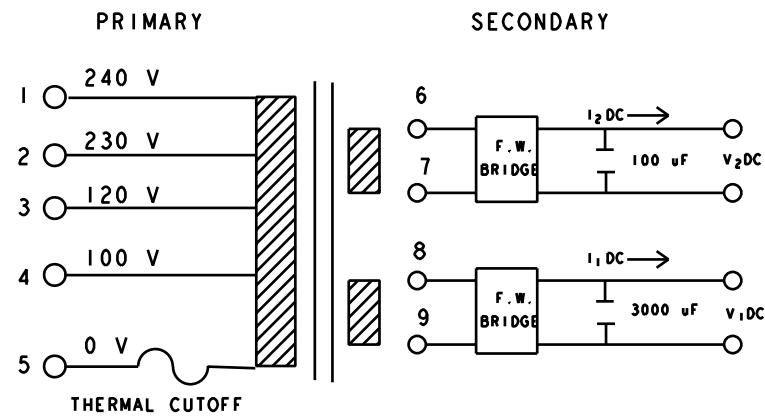
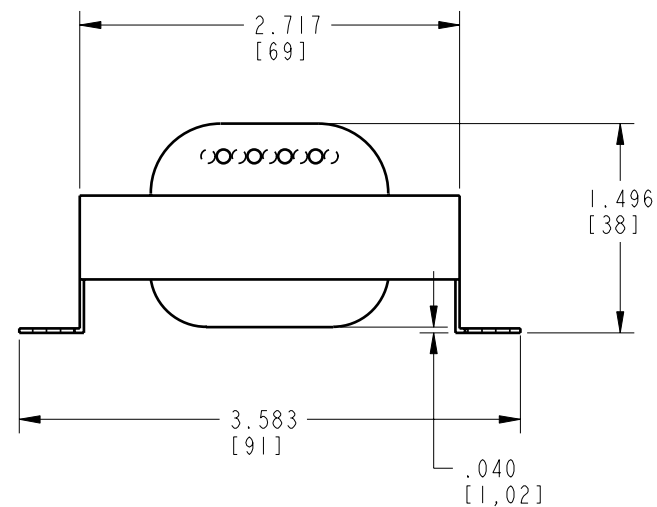


|                     |            |                          |
|---------------------|------------|--------------------------|
| VENDOR PRINT FILE # | SLM PART # | NAME & ADDRESS OF VENDOR |
| VPF 00162           | 94-267-40  | CHUANG MEEI<br>TAIWAN    |

| LEAD | COLOR  | LENGTH | TERMINATION                                 |
|------|--------|--------|---|
| 1    | BROWN  | 6"     | .187 FULLY INSULATED STRAIGHT FEMALE FASTON |
| 2    | GRAY   | 6"     | .187 FULLY INSULATED STRAIGHT FEMALE FASTON |
| 3    | BLACK  | 6"     | .187 FULLY INSULATED STRAIGHT FEMALE FASTON |
| 4    | BLUE   | 6"     | .187 FULLY INSULATED STRAIGHT FEMALE FASTON |
| 5    | WHITE  | 6"     | .187 FULLY INSULATED STRAIGHT FEMALE FASTON |
| 6    | YELLOW | 8"     | PIN 3 OF 6 .156" FEMALE CONNECTOR           |
| 7    | YELLOW | 8"     | PIN 4 OF 6 .156" FEMALE CONNECTOR           |
| 8    | RED    | 8"     | PIN 1 OF 6 .156" FEMALE CONNECTOR           |
| 9    | RED    | 8"     | PIN 6 OF 6 .156" FEMALE CONNECTOR           |

- NOTES:
1. 6 PIN .156 CONN. TO MATE WITH PANDUIT MFSS156 SERIES OR EQUIV.
  2. PINS 2 AND 5 TO BE BLANK




SOURCE CONTROL DRAWING

|   |                          |                |  |            |            |
|---|--------------------------|----------------|--|------------|------------|
| 0   | 12/29/03                 | CONTROL ISSUE  | JRC  |            |            |
| REV:  | DATE:                    | DESCRIPTION    | ECR/ECN NO:                                      | CHNG'D BY: | APPR'D BY: |
| THE INFORMATION CONTAINED ON THIS DRAWING IS PROPRIETARY TO ST. LOUIS MUSIC, INC. |                          |                |  |            |            |
| SIGNATURES:   |                          | DATE:          | 11880 Borman Dr.<br>St. Louis, Missouri<br>63146 |            |            |
| DRAWN:  | JRC                      | 24-Dec-03      | FIRST USED ON:                                   |            |            |
| CHK'D:  |                          |                |  |            |            |
| RLS'D:  |                          |                |  |            |            |
| TOLERANCES:   | DRAWING SIZE: 26 by 16.8 | DRAWING TITLE: |  |            |            |
|   | DRAWING TYPE: PART       | TRANSFORMER    |  |            |            |
|   | CLASS CODE: 94-267-40    | DRAWING NO.:   |  |            |            |
| SCALE:  | 1.250                    | SHEET:         | 1 of 2   | 94-267     |            |

| 94-267-40 Lead Wire Specification |                   |        |        |            |   |
|-----------------------------------|-------------------|--------|--------|------------|---|
| Item                              | Description       | Color  | Gage   | Length     | Terminals                                 |
| 1                                 | Primary #1 : 240V | BROWN  | 22 AWG | 6.0 inches | 0.187x0.032 Fully Insulated Female Faston |
| 2                                 | Primary #1 : 230V | GRAY   | 22 AWG | 6.0 inches | 0.187x0.032 Fully Insulated Female Faston |
| 3                                 | Primary #1 : 120V | BLACK  | 22 AWG | 6.0 inches | 0.187x0.032 Fully Insulated Female Faston |
| 4                                 | Primary #1 : 100V | BLUE   | 22 AWG | 6.0 inches | 0.187x0.032 Fully Insulated Female Faston |
| 5                                 | Primary #1 : N    | WHITE  | 22 AWG | 6.0 inches | 0.187x0.032 Fully Insulated Female Faston |
| 6                                 | Secondary #1      | YELLOW | 22 AWG | 6.0 inches | Pin 3 of 6 Pos. JST .156 Housing          |
| 7                                 | Secondary #1      | YELLOW | 22 AWG | 8.0 inches | Pin 4 of 6 Pos. JST .156 Housing          |
| 8                                 | Secondary #2      | RED    | 22 AWG | 8.0 inches | Pin 1 of 6 Pos. JST .156 Housing          |
| 9                                 | Secondary #2      | RED    | 22 AWG | 8.0 inches | Pin 6 of 6 Pos. JST .156 Housing          |

| 94-267-40 Lead Wire Specification  |  |  |   |              |
|--|--|--|---|--------------|
| Diameter of Winding Wire : Pri.: 0.23mm (485), Pri.: 0.17mm (1,2,83), Sec.#1: 0.12mm, Sec.#2: 0.55mm |  |  |   |              |
| Number of Turns : Primary: 1110 (taps at 310, 916, 1018, & 1110, Sec. #1: 165, Sec. #2: 2670         |  |  |   |              |
| Insulation System: Class B   |  |  |   |              |
| Item   | Description                                | Specifications   | Supplier                                  | UL File      |
| A  | Core                                       | 90 Sheets, 0.5mm, Silicon Steel, EI-76.2, RM-18  | New Noppon Steel Co.                      | na           |
| B  | Bobbin                                     | Nylon 66 Zytel 101   | DuPont De Nemoure & Co.                   | E41938B      |
| C  | Adjacent sec. Insulation                   | 0.025mm Polyester Tape, 2 Turns  | 3M Taiwan Limited                         | E17385       |
| D  | Primary to Secondary Winding Insulation    | 0.05mm Polyester Tape, 2 Turns<br>0.13mm Pressboard Paper, 2 Layers, lap 3.2mm         | Globe Industries Co.<br>Abekawa Kogyo Co. | E50032<br>na |
| E  | Secondary Winding & Lead Splice Insulation | 0.025mm Polyester Tape, 2 Turns<br>0.05mm Pressboard Paper, 1 Layer                    | 3M Taiwan Limited<br>Abekawa Kogyo Co.    | E17385<br>na |
| F  | Coil Outer Wrap                            | 0.025mm Polyester Tape, 1 Turn<br>0.13mm & 0.5mm Pressboard Paper                      | 3M Taiwan Limited<br>Abekawa Kogyo Co.    | E17385<br>na |
| G  | Primary Winding                            | U.E.W. #2 Magnet Wire, W-1239S Varnish   | To Ya Electrical Wire                     | E50032       |
| H  | Secondary Winding                          | U.E.W. #2 Magnet Wire, W-1239S Varnish   | Pacific Electrical Wire                   | E41396       |
| J  | Thermal Protector                          | Rating: 130 C open temp., 250V, One Shot<br>@<2A (ref. Schematic for circuit location) | Matsushita Electric Comp                  | E60271       |
| K  | Endbell                                    | 0.06mm, JIS G3141 S.P.C.C.   | 3JIS G3141 S.P.C.C.                       | na           |
| 1-5  | Primary Lead Wire                          | 18 AWG, UL Style 1015, CSA Type TEW 105 C  | One Six Wire Co.                          | E77874       |
| 6-12   | Secondary Lead Wire                        | (ref.: see Lead Wire Specification Table)  |   | CSA34402     |

| 94-267-40 Functional Specification  |                              |                      |         |                       |          |
|---|------------------------------|----------------------|---------|-----------------------|----------|
| Service Type: Audio Pre Amplifier<br>Temperature Class: Class B max.<br>Voltage Rating: 100V, 120V, 230V, 240V Primary<br>Frequency: 50/60 Hz.  |                              |                      |         |                       |          |
| Compliance Notes:<br>1. Transformer must comply with UL1411, UL6500, CSA E60065, and CE E60065 Standards<br>2. Transformer must be marked to identify manufacturer and SLME Part Number<br>3. Transformer must be constructed per materials specified on this drawing                                   |                              |                      |         |                       |          |
| Construction Notes:<br>1. Low radiated field intensity is desired.<br>2. Magnetized current at high line (110%) of supply voltage must be less than two time the magnetizing current at minimum line (90%) of supply voltage.<br>3. End Bell (if specified) is to be installed over non-leaded winding. |                              |                      |         |                       |          |
| Electrical Specifications at Load   |                              |                      |         |                       |          |
| Item  | Description (Ref. Schematic) | Minimum/Nominal Line |         | Max. High Line (110%) |          |
|   |                              | Voltage              | Current | Voltage               | Current  |
| Primary 120V  | 3 Line Hot<br>5 Line N       | 120Vac 60Hz          | - - -   | 132Vac 60Hz           | - - -    |
| Primary 100V  | 4 Line Hot<br>5 Line N       | 100Vac 50Hz          | - - -   | 110Vac 50Hz           | - - -    |
| Primary 230V  | 2 Line Hot<br>5 Line N       | 230Vac 50Hz          | - - -   | 253Vac 50Hz           | - - -    |
| Primary 240V  | 1 Line Hot<br>5 Line N       | 240Vac 50Hz          | - - -   | 264Vac 50Hz           | - - -    |
| Secondary #1  | 6 & 7 Output                 | 330 Vac              | 1.6 A   | 400 Vac               | 0.001 A  |
| Secondary #2  | 8 & 9 Output                 | 17.0 Vac             | 0.70 A  | no spec.              | no spec. |
| Note: "- - -" indicates data not relevant to functional specifications  |                              |                      |         |                       |          |

|   |                          |                |   |             |            |
|---|--------------------------|----------------|---|-------------|------------|
| 0   | 1/28/04                  | CONTROL ISSUE  | JRC   |             |            |
| REV:  | DATE:                    | DESCRIPTION    | ECR/ECN NO:   | CHNG'D BY:  | APPR'D BY: |
| THE INFORMATION CONTAINED ON THIS DRAWING IS PROPRIETARY TO ST. LOUIS MUSIC, INC. |                          |                |   |             |            |
| SIGNATURES:   |                          | DATE:          |  |             |            |
| DRAWN:  | JRC                      | 28-Jan-04      | 11880 Borman Dr.<br>St. Louis, Missouri<br>63146                                      |             |            |
| CHK'D:  |                          |                | FIRST USED ON:  |             |            |
| RLS'D:  |                          |                |   |             |            |
| TOLERANCES:   | DRAWING SIZE: 26 by 16.8 | DRAWING TITLE: |   | TRANSFORMER |            |
|   | DRAWING TYPE: PART       | DRAWING NO.:   |   | 94-267-40   |            |
|   | CLASS CODE: 94-267-40    | DRAWING NO.:   |   | 94-267      |            |
| SCALE:  | 1.250                    | SHEET:         | 2 of 2  |             |            |