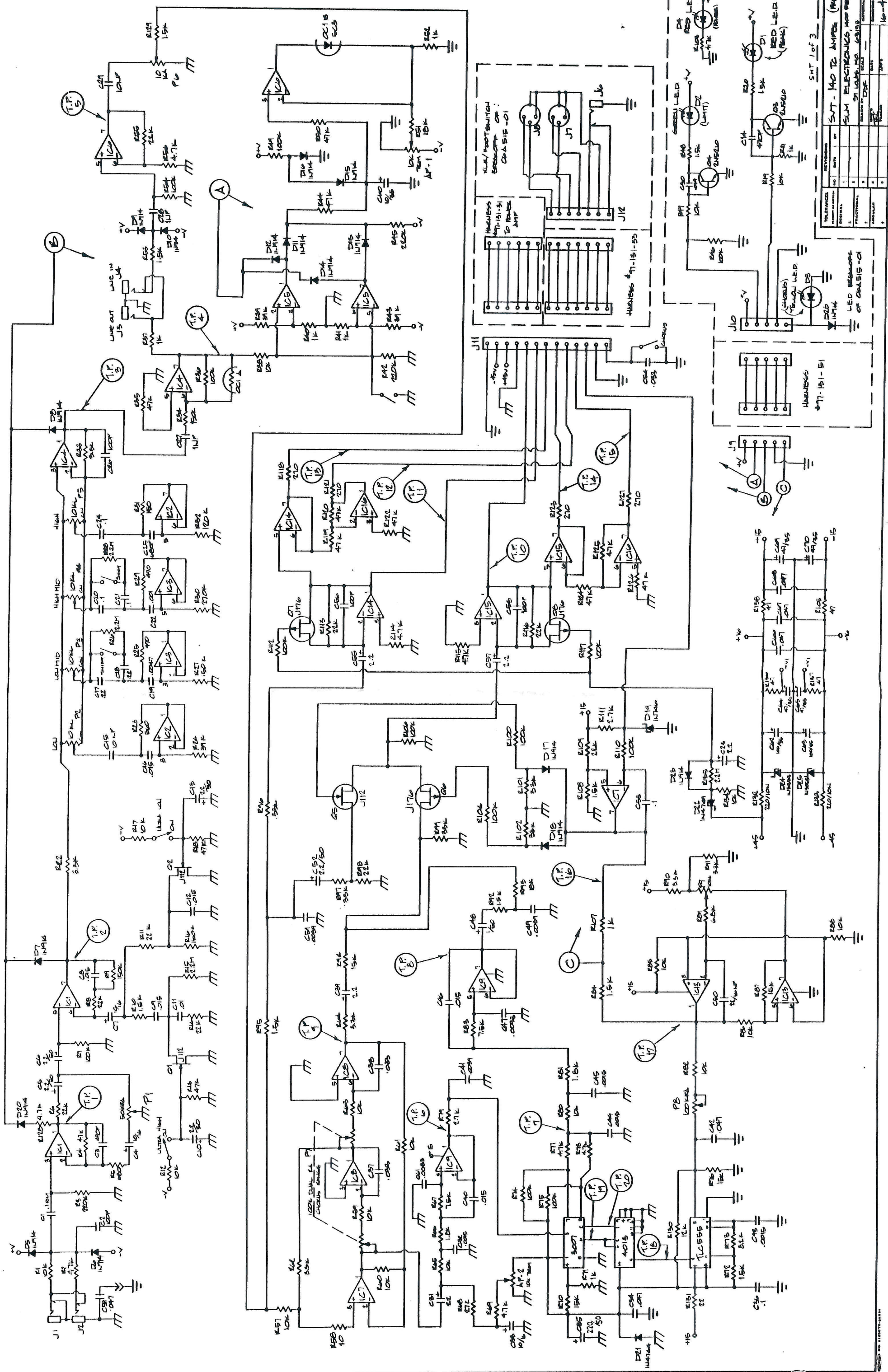


12V-140-12 PRE-AMP



| TOLERANCES UNLESS OTHERWISE SPECIFIED | |
|---------------------------------------|-----|
| RESISTORS | ±1% |
| CAPACITORS | ±5% |
| INDUCTORS | ±5% |
| TRANSISTORS | ±5% |
| DIODES | ±5% |
| IC'S | ±5% |
| RELAYS | ±5% |
| CONNECTORS | ±5% |
| WELDS | ±5% |

| REVISIONS | |
|-----------|------|
| NO. | DATE |
| 1 | |
| 2 | |
| 3 | |
| 4 | |
| 5 | |

SMT-140-12 AMPER (PRE-AMP)
 SLM ELECTRONICS, HAS REVISIONS
 51 WALKER RD
 WESTFIELD, MA 01085
 TEL: (413) 562-1234
 FAX: (413) 562-1234
 E-MAIL: SLM@SLM.COM

SMT 1 of 3

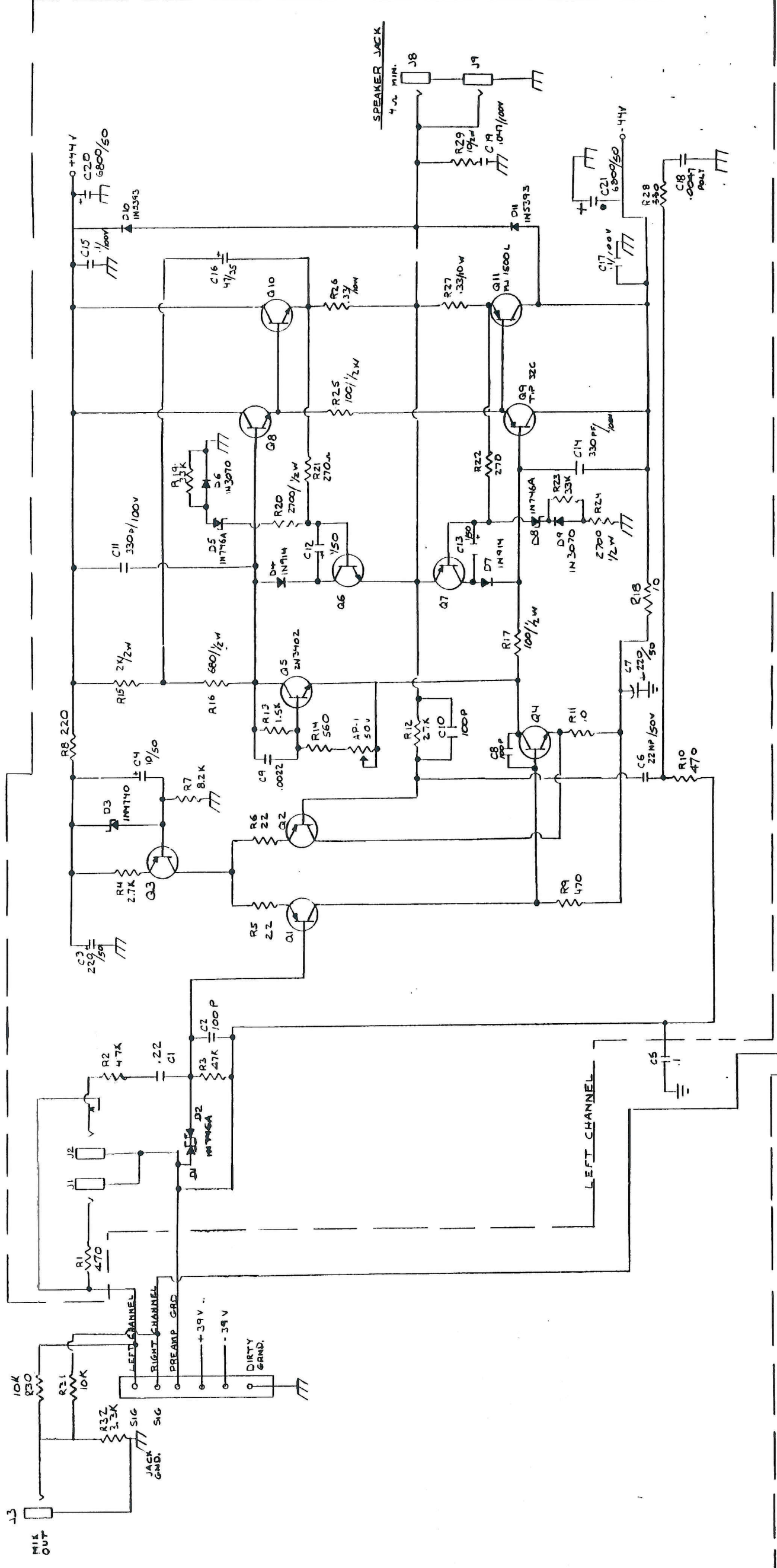
LED BOARD OF COALES-01

ADDRESS #77-151-51

ADDRESS #77-151-55

ADDRESS #77-151-55

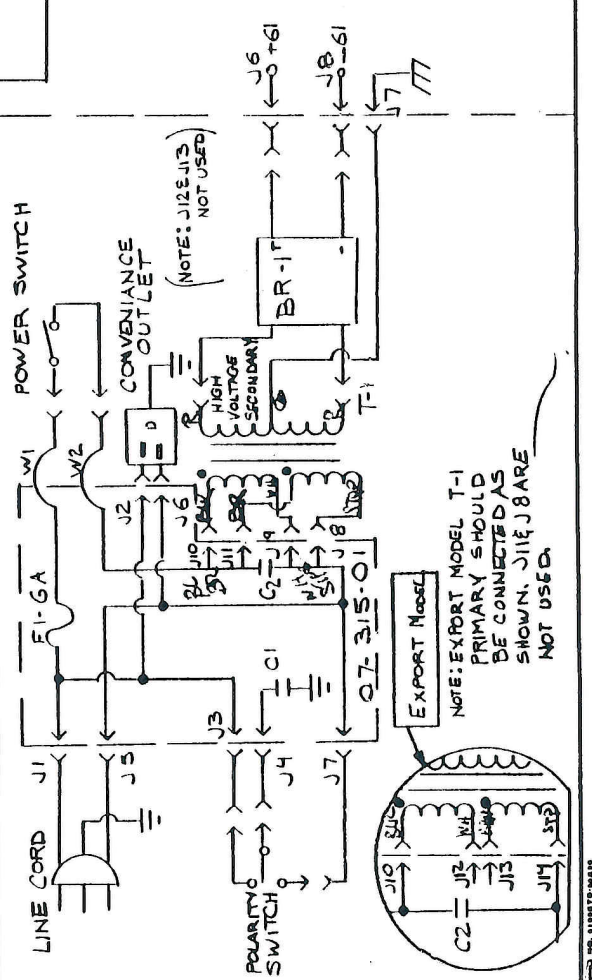
ADDRESS #77-151-55



RIGHT CHANNEL

IDENTICAL TO LEFT
EXCEPT - DELETE C3, R8, D3, R7, C4, C17
AND (ADD 100 TO REF DESIGNATORS)
C-2, C-102, D-1, D-107, ETC.

P.C. BOARD ASSY # 07-413-02



| PART NO | DESCRIPTION | QTY |
|------------|--------------|-----|
| 10-272-01 | 10-272-V.L. | |
| 21A146-01 | IN 746A | |
| 21A146-01 | IN 746A | |
| 21A440-01 | IN 7440A | |
| 21A 914-01 | IN 914 | |
| 21A 146-01 | IN 746A | |
| 21A370-01 | IN 3070 | |
| 21A 914-01 | IN 914 | |
| 21A 146-01 | IN 746A | |
| 21A370-01 | IN 3070 | |
| 21A593-01 | IN 5393 | |
| 96-056-01 | MPSA56 | |
| 96-056-01 | MPSA56 | |
| 96-056-01 | MPSA56 | |
| 96-342-01 | 2N3402 | |
| 96-006-01 | MPSA06 | |
| 96-056-01 | MPSA56 | |
| 96-031-03 | TIP31C | |
| 96-032-03 | TIP32C | |
| 96-101-01 | MJ15001 | |
| 96-102-01 | MJ15002 | |
| 39-116-01 | 3/4" JACK | |
| 17-309-06 | 6 PIN HEADER | |
| 17-835-01 | .250 TAB | |
| 88-202-01 | SWITCH | |
| 21-204-01 | BRIDGE REC | |
| 71-501-02 | TRIM POT | |

| REVISIONS | | REVISED BY | DATE |
|-----------|-------------|------------|------|
| 1 | INITIAL | | |
| 2 | PRELIMINARY | | |
| 3 | APPROVED | | |

AMPEG SVT-140TC PWR AMP
LEFT CHANNEL
SLM ELECTRONICS
11880 BORMAN ST. DAVIS, CA 94516
SHEET 2 OF 3
16-410-01

1A
1847
2R
2L