

PARTIAL PARTS LIST: #07-419-51

DESIGNATOR	DESCRIPTION	SLM PART #
V1	12AX7	97-927-01
V2, V3	12AU7	95-126-01
V4-V9	6550	97-950-01
P1-P3	50KL	70-503-20
P4	100 WW	70-101-21
J1, J2	1/4" JACK	39-116-01
J3	N/U	
J4, J5	1/4" JACK	39-403-01
J6-J8	PIN JACK	17-310-02
J9	2 PIN HEADER	17-311-06
J10	6 PIN HDR	17-836-01
J11-J23	.250 TAB	17-450-09
J24-J26	9 PIN SOCKET	17-450-08
J27-J32	8 PIN SOCKET	
(3)	HEX STANDOFF	85-065-01
(12)	HEX STANDOFF	85-133-01
(27)	SCREW	30-638-53
(1)	PCB	06A419-02
(1)	PLATE	51-406-71

CALIBRATION PROCEDURES:

1. Connect a 4 ohm load resistor capable of dissipating 350 watts to one speaker output jack. Set Impedance Selector switch to 4 ohms.
2. Output stage bias current adjustment. A) Adjust VR1 for ± 0.072 volts DC between T.P. 1 and ground. B) Adjust VR2 for zero ± 0.01 volts between T.P. 1 and T.P. 2.
3. Phase inverter balance control adjustment. A) Harmonic distortion meter method: Drive amplifier to 25 volts RMS out at 40 Hz and connect distortion meter to load resistor, adjust VR3 for minimum distortion. B) Voltmeter method: Adjust output as in step 3A and connect DC voltmeter between test points T.P. 1 and T.P. 2, adjust VR3 for zero ± 0.01 volts.

NOTES:

- 1) THIS UNIT CONTAINS HAZARDOUS VOLTAGE. DISCONNECT POWER AND BE SURE POWER SUPPLY IS DISCHARGED BEFORE TOUCHING INTERNAL PARTS.
- 2) UNLESS NOTED, RESISTOR VALUES IN OHMS, 1/4W-5% TOL. CAPACITOR VALUES IN MICROFARADS, 50V-10% TOL.
- 3) VOLTAGES ARE MEASURED WITH 1 MEGOHM OSCILLOSCOPE AND 10 MEGOHM DIGITAL VOLTMETER. VOLTS IN RECTANGLES ARE RMS SIGNAL VOLTAGES WITH 0.3V 1KHZ @ J2. OTHER VOLTAGES ARE DC WITH NO SIGNAL.

CAUTION:

THIS SCHEMATIC IS PROVIDED FOR USE BY QUALIFIED PERSONNEL. TO AVOID RISK OF ELECTRIC SHOCK, REFER SERVICING TO QUALIFIED SERVICE PERSONNEL. DO NOT PERFORM ANY SERVICING BEYOND THAT EXPLAINED IN THE OPERATING INSTRUCTIONS.

REV	DATE	BY	CHK'D	DESCRIPTION
3				
2	5/19/92	SWR		ADDED TR1, D20, D21, C18 & L1-L6. RENUMBERED PARTS. DELETED C15.
1	12/23/91	SWR		CHANGED R1 TO: 220 OHM. ADDED C15 50pF 500V.

SIGNATURES:		DATE:	
DRAWN:	ML	2-4-91	
CHK'D:			
APP'D:			
ORIGINAL ISSUED:			
PLOT DATE:	05/21/92		
PLOT TIME:	12:50:14		
FILE NAME:	75419512		

PROJECT NAME:		TYPHO BORSMAN DR.	
DRAWING NAME:		ST. LOUIS, MISSOURI	
SVT-300 PWR AMP		63148	
SCHEMATIC			
DRAWING NO. 072419-51			
SCALE: NONE	SHEET: 1 of 1		

07P419-51 ACT
 SVT-300 PWR AMP

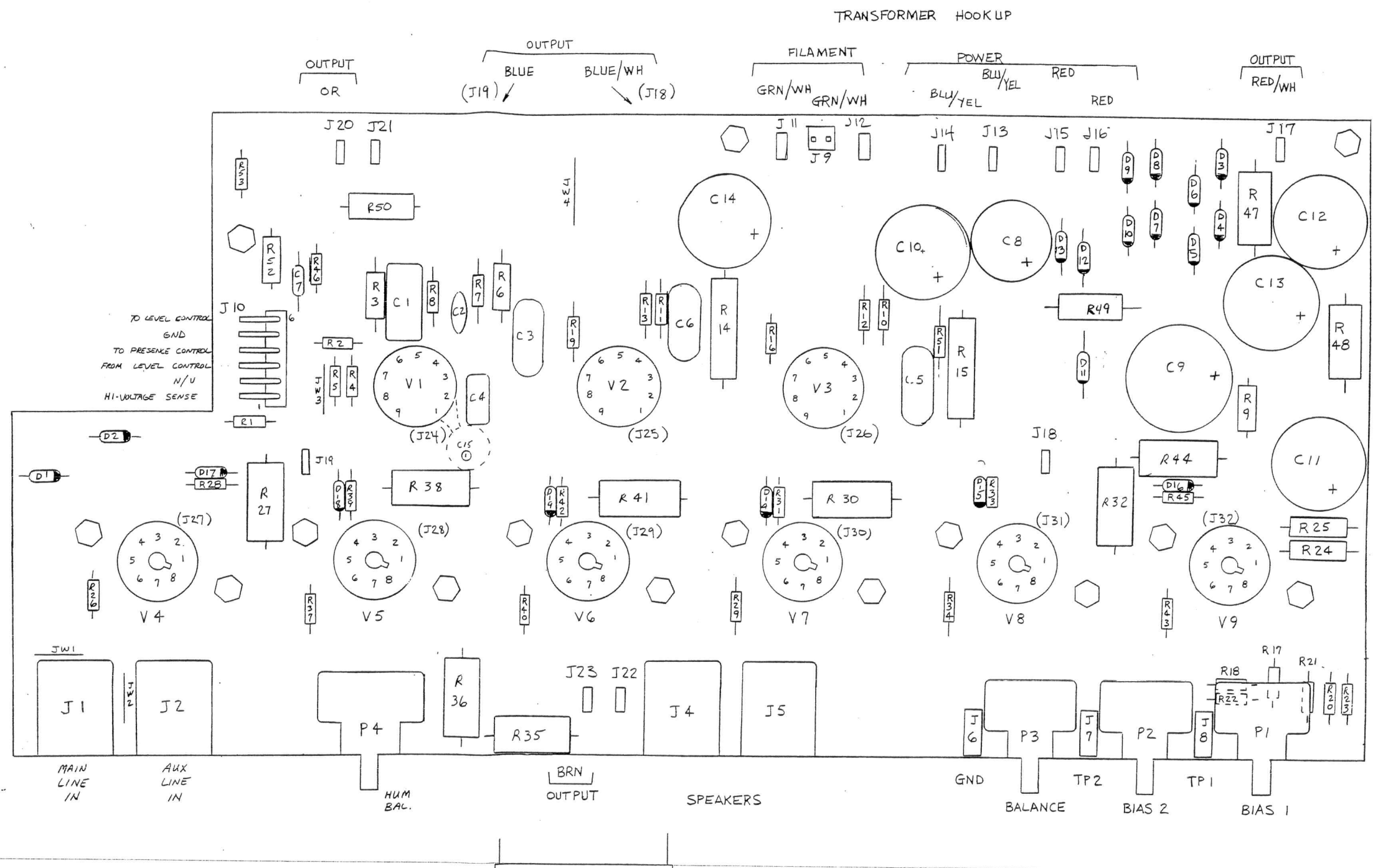
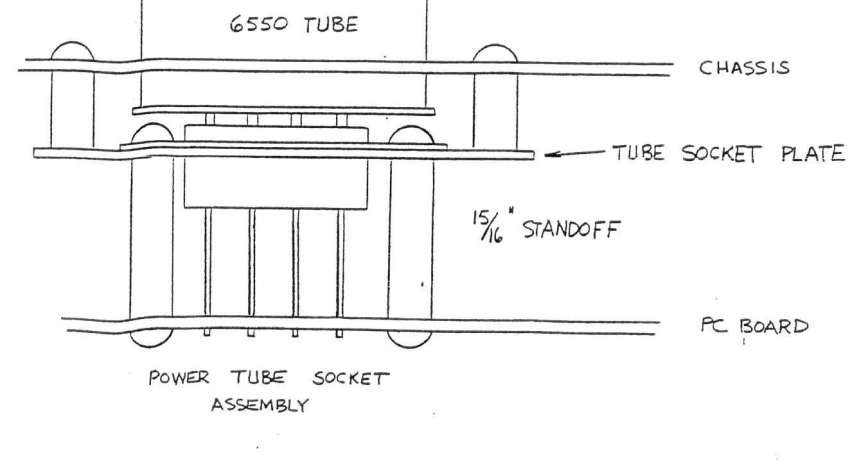
PART	DESCRIPTION	PART #
R1	220Ω	76-221-01
R2	10KΩ	76-103-01
R3	100K 1/2W 1%	77-104-02
R4	1KΩ	76-102-01
R5	220Ω	76-221-01
R6	68KΩ 1/2W	77-683-01
R7	1MΩ	76-105-01
R8	820Ω	76-821-01
R9	47KΩ 1/2W	77-473-01
R10	470KΩ	76-474-01
R11	470KΩ	76-474-01
R12	1.8KΩ	76-182-01
R13	1.8KΩ	76-182-01
R14	47K 5W	78-473-05
R15	47K 5W	78-473-05
R16	150KΩ	76-154-01
R17	150KΩ	76-154-01
R18	150KΩ	76-154-01
R19	150KΩ	76-154-01
R20	180KΩ	76-184-01
R21	100KΩ	76-104-01
R22	100KΩ	76-104-01
R23	180KΩ	76-184-01
R24	47K 1W	78-473-01
R25	47K 1W	78-473-01
R26	47KΩ	76-473-01
R27	5 5W	78-050-05
R28	22Ω	76-220-01
R29	47KΩ	76-473-01
R30	5 5W	78-050-05
R31	22Ω	76-220-01
R32	5 5W	78-050-05
R33	22Ω	76-220-01
R34	47KΩ	76-473-01
R35	1 ohm/5W	78-010-01
R36	1 ohm/5W	78-010-01
R37	47KΩ	76-473-01
R38	5 5W	78-050-05
R39	22Ω	76-220-01
R40	47KΩ	76-473-01
R41	5 5W	76-220-01
R42	22Ω	76-220-01
R43	47KΩ	76-473-01
R44	5 5W	78-050-05
R45	22Ω	76-220-01
R46	47KΩ	76-473-01
R47	150K 2W	78-154-02
R48	150K 2W	78-154-02
R49	82K 1W	78-823-01
R50	220K 1W	78-224-01
R51	1KΩ 1/2W	77-102-01
R52	10Ω 1/2W	77-100-01
R53	10KΩ	76-103-01

C1	.1 400V	10-104-41
C2	50P 500V	10-500-02
C3	.1 400V	10-104-41
C4	.1uF 200V	10-104-21
C5	.047uF/600V	10-473-61
C6	.047uF/600V	10-473-61
C7	100pF/200V	10A101-21
C8	100 250V	12-107-62
C9	180uF 450V	12-187-42
C10	47uF/450V	12-476-42
C11	100 250V	12-107-62
C12	100 450V	12-107-93
C13	100 450V	12-107-93
C14	100 450V	12-107-93
C15	50pF 500V	10-500-02

D1	1N3070	21A370-01
D2	1N3070	21A370-01
D3	1N4007	21A407-01
D4	1N4007	21A407-01
D5	1N4007	21A407-01
D6	1N4007	21A407-01
D7	1N4007	21A407-01
D8	1N4007	21A407-01
D9	1N4007	21A407-01
D10	1N4007	21A407-01
D11	1N4007	21A407-01
D12	1N4007	21A407-01
D13	1N4007	21A407-01
D14	1N4007	21A407-01
D15	1N4007	21A407-01
D16	1N4007	21A407-01
D17	1N4007	21A407-01
D18	1N4007	21A407-01
D19	1N4007	21A407-01

V1	12AX7 GENERAL	97-927-01
V2	12AU7	95-126-01
V3	12AU7	95-126-01
V4	6550 GRADED	97-950-01
V5	6550 GRADED	97-950-01
V6	6550 GRADED	97-950-01
V7	6550 GRADED	97-950-01
V8	6550 GRADED	97-950-01
V9	6550 GRADED	97-950-01

J1	CLIFF T/S JACK	39-116-01
J2	CLIFF T/S JACK	39-116-01
J4	CLIFF T/S JACK	39-116-01
J5	CLIFF T/S JACK	39-116-01
J6	PIN JACK	39-403-01
J7	PIN JACK	39-403-01
J8	PIN JACK	39-403-01
J9	2 PIN HEADER	17-310-02
J10	6 PIN HEADER	17-311-06
J11	.250 ST. PC TAB	17-836-01
J12	.250 ST. PC TAB	17-836-01
J13	.250 ST. PC TAB	17-836-01
J14	.250 ST. PC TAB	17-836-01
J15	.250 ST. PC TAB	17-836-01
J16	.250 ST. PC TAB	17-836-01
J17	.250 ST. PC TAB	17-836-01
J18	.250 ST. PC TAB	17-836-01
J19	.250 ST. PC TAB	17-836-01
J20	.250 ST. PC TAB	17-836-01
J21	.250 ST. PC TAB	17-836-01
J22	.250 ST. PC TAB	17-836-01
J23	.250 ST. PC TAB	17-836-01
J24	9 PIN TUBE SOCKET	17-450-09
J25	9 PIN TUBE SOCKET	17-450-09
J26	9 PIN TUBE SOCKET	17-450-09
J27	8 PIN TUBE SOCKET	17-450-08
J28	8 PIN TUBE SOCKET	17-450-08
J29	8 PIN TUBE SOCKET	17-450-08
J30	8 PIN TUBE SOCKET	17-450-08
J31	8 PIN TUBE SOCKET	17-450-08
J32	8 PIN TUBE SOCKET	17-450-08



NOTES: 1) UNLESS OTHERWISE SPECIFIED, ALL RESISTORS ARE IN OHMS 1/4 WATT, 5%. ALL CAPACITORS ARE IN MICROFARADS AND HAVE A 50 VOLT RATING (MINIMUM).

ASSY NO 07-419-51

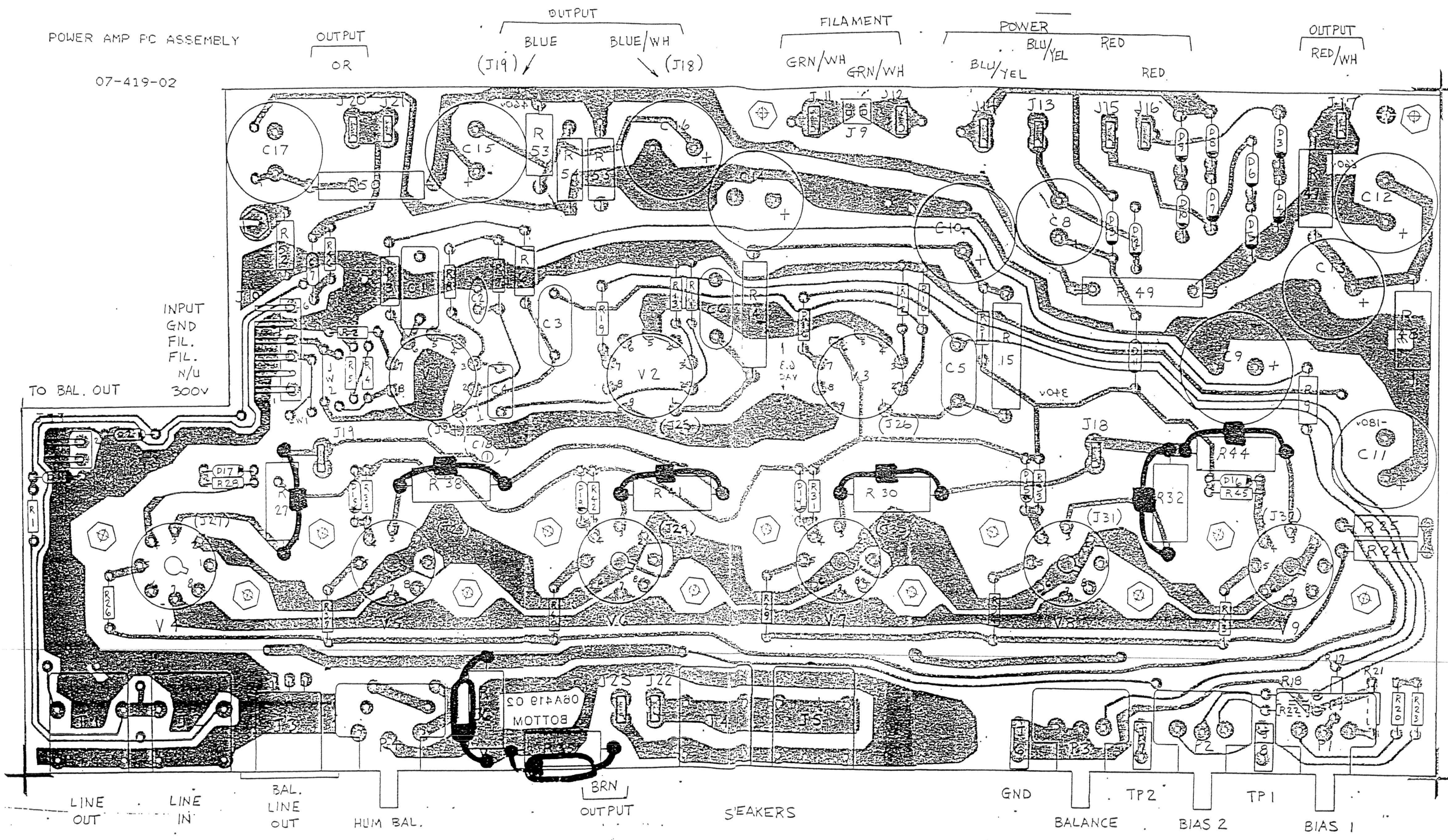
TOLERANCES	REVISIONS	SVT-300 PWR AMP PICTORIAL	
(UNLESS OTHERWISE SPECIFIED)	NO. DATE BY	NO.	DATE
DECIMAL	1 12-23-91 S.R.	1	
FRACTIONAL		2	
ANGULAR		3	

SLM ELECTRONICS
 1400 FERGUSON ST. LOUIS, MO 63133
 DRAWN BY: MLC SCALE: AS SHOWN MATERIAL: _____
 DATE: 2-13-91 DRAWING NO: 07-419-51

① CHANGED R1 FROM 1KΩ TO 220Ω 76-103-01 TO 220Ω 76-221-01

POWER AMP FC ASSEMBLY

07-419-02



OUTPUT
OR

OUTPUT
BLUE (J19)
BLUE/WH (J18)

FILAMENT
GRN/WH GRN/WH

POWER
BLU/YEL RED
BLU/YEL RED

OUTPUT
RED/WH

INPUT
GND
FIL.
FIL.
N/U
300V

TO BAL. OUT

LINE
OUT

LINE
IN

BAL.
LINE
OUT

HUM BAL.

BRN
OUTPUT

SEAKERS

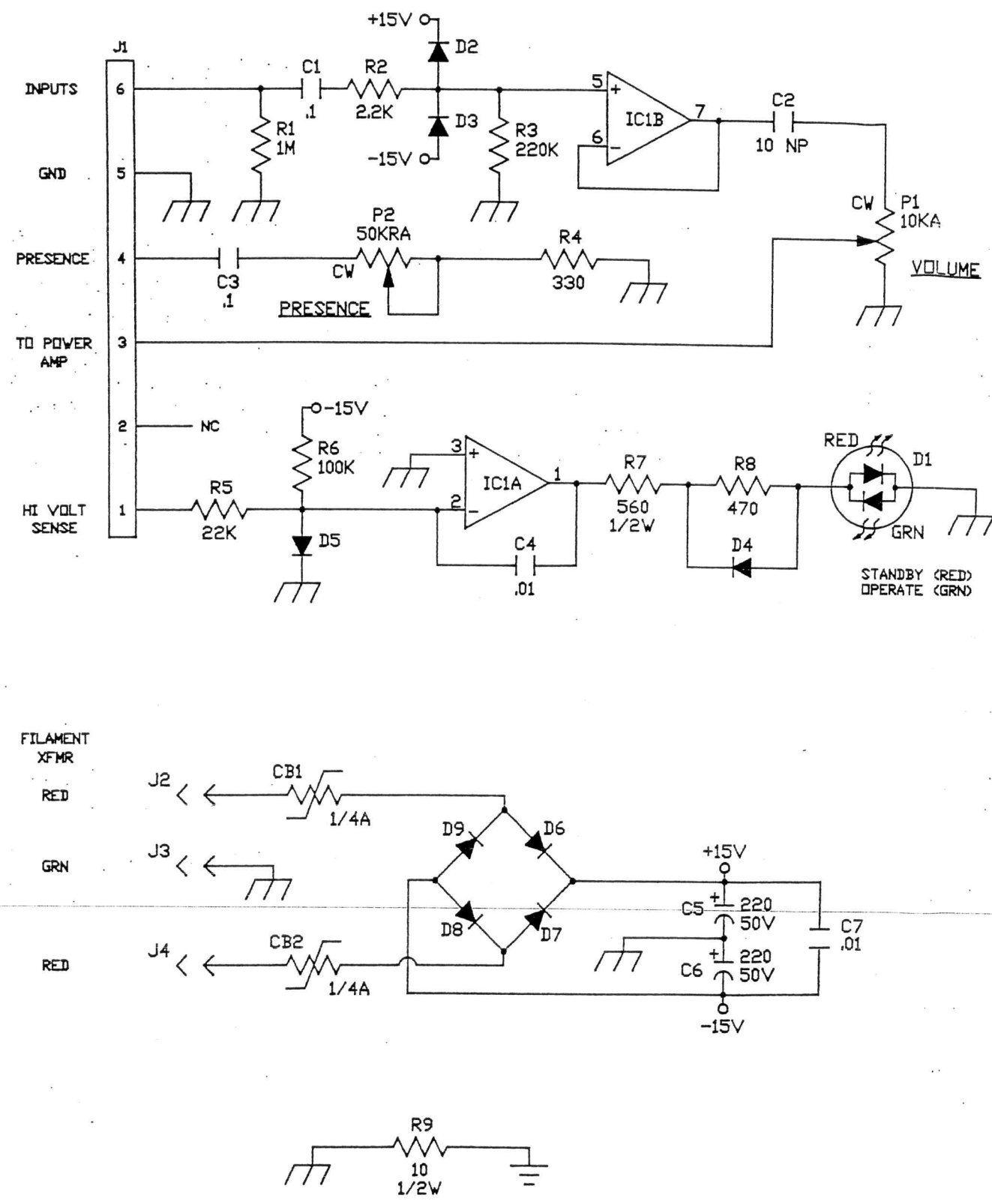
GND

BALANCE

BIAS 2

TP1

BIAS 1



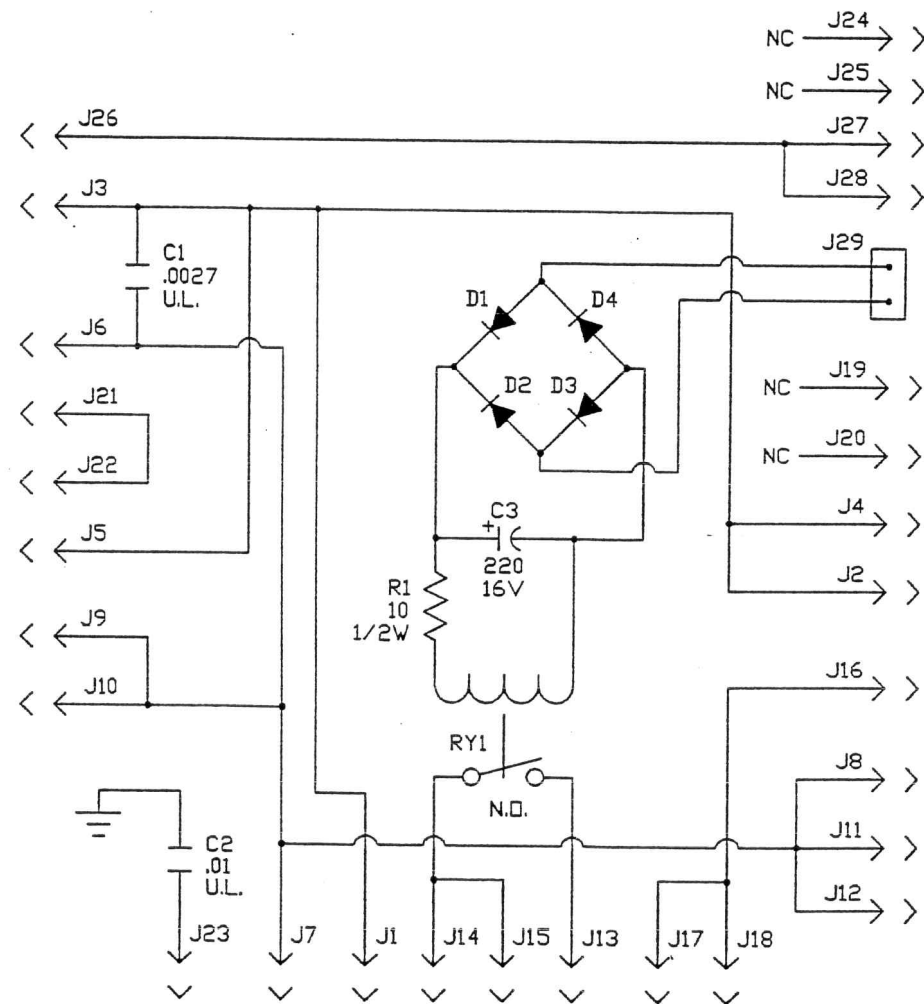
PART	DESC.	PART NO.
CB1,2	1/4A THRMSTR	73-101-01
D1	RED-GRN LED	21-591-01
D2-5	1N914	21A914-01
D6-9	1N4002	21A402-01
IC1	NE5532	37-532-01
J1	6 PIN HEADER	17-310-06
J2-4	.187 ST. PC TAB	17-894-01
P1	10K AUDIO POT	70-103-22
P2	50KRA POT	70-503-23

NOTES

- 1) CAUTION: SHOCK HAZARD!! THIS UNIT CONTAINS HAZARDOUS VOLTAGE. DISCONNECT POWER AND BE SURE POWER SUPPLY IS DISCHARGED BEFORE TOUCHING INTERNAL PARTS.
- 2) UNLESS NOTED, RESISTOR VALUES IN OHMS, 1/4W-5% TOL. CAPACITOR VALUES IN MICROFARADS, 50V-10% TOL.
- 3) VOLTAGES ARE MEASURED WITH 1 MEGOHM OSCILLOSCOPE AND 10 MEGOHM DIGITAL VOLTMETER.
- 4) CIRCUIT GROUND /// SWITCH GROUND ∇ CHASSIS GROUND ⊕

CAUTION:
THIS SCHEMATIC IS PROVIDED FOR USE BY QUALIFIED PERSONNEL. TO AVOID RISK OF ELECTRIC SHOCK, REFER SERVICING TO QUALIFIED SERVICE PERSONNEL. DO NOT PERFORM ANY SERVICING BEYOND THAT EXPLAINED IN THE OPERATING INSTRUCTIONS.

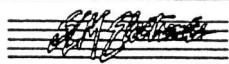
SIGNATURES:	DATE:	 TESS BORMAN DR. ST. LOUIS, MISSOURI 83146
DRAWN: ML	2-1-91	
CHK'D:		PROJECT NAME: SVT AMPS
APP'D:		DRAWING NAME: INPUT SCHEMATIC
ORIGINAL ISSUED:		DRAWING NO. 07S519-51
PLOT DATE:	04/05/91	
PLOT TIME:	15:24:51	



NOTES

- 1) CAUTION! SHOCK HAZARD!!
THIS UNIT CONTAINS HAZARDOUS VOLTAGE. DISCONNECT POWER AND BE SURE POWER SUPPLY IS DISCHARGED BEFORE TOUCHING INTERNAL PARTS.
- 2) UNLESS NOTED, RESISTOR VALUES IN OHMS, 1/4W-5% TOL. CAPACITOR VALUES IN MICROFARADS, 50V-10% TOL.
- 3) VOLTAGES ARE MEASURED WITH 1 MEGOHM OSCILLOSCOPE AND 10 MEGOHM DIGITAL VOLTMETER.
- 4) CIRCUIT GROUND ∇ SWITCH GROUND ∇ CHASSIS GROUND ∇

CAUTION:
THIS SCHEMATIC IS PROVIDED FOR USE BY QUALIFIED PERSONNEL. TO AVOID RISK OF ELECTRIC SHOCK, REFER SERVICING TO QUALIFIED SERVICE PERSONNEL. DO NOT PERFORM ANY SERVICING BEYOND THAT EXPLAINED IN THE OPERATING INSTRUCTIONS.

SIGNATURES:	DATE:		1880 BORMAN DR. ST. LOUIS, MISSOURI 63148
DRAWN: ML	2-7-91		
CHK'D:		PROJECT NAME:	SVT-II/300 AC TERM.
APP'D:		DRAWING NAME:	SCHEMATIC
ORIGINAL ISSUED:			
PLOT DATE:	02/11/91	DRAWING NO.	16-319-02
PLOT TIME:	09:19:09	SCALE: NONE	SHEET: 1 of 1
FILE NAME:	1631902		