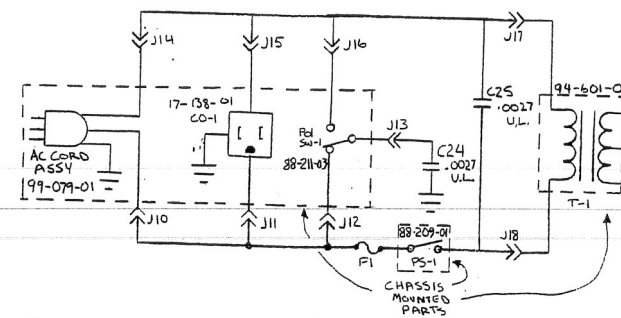
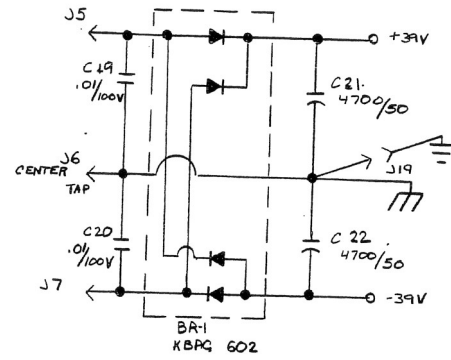


≈ 23.5 VAC RMS
@ 452



AC TERMINATION BREAK-OFF PC BOARD

PART	DESCRIPTION	PART NO.
C24	.0027 U.L.	10-27-0
C25	.0027 U.L.	10-27-0
CO-1	A.C. OUTLET	17-138-01
J10,11,14,15,17,18	.250 TAB	17-836-01
J12,13,16	.187 TAB	17-894-01
PS-1	POWER SWITCH	88-213-01
R15W-1	CHASSIS GND SW	88-211-03
T-1	TRANSFORMER	94-601-01
AC.CORD	ASSEMBLY	99-079-01
F-1	4A FUSE	23-304-01

- NOTES: 1) EXCEPT AS INDICATED, ALL CAPACITORS IN MFD @ 100 VDC, ALL RESISTORS IN OHMS @ 1/4 WATT 5% TOLERANCE.
- 2) VOLTAGES MEASURED WITH: 1 MEGOHM INPUT OSCILLOSCOPE (AC), 10 MEGOHM INPUT D.V.M. (DC). TAKE LOADING INTO ACCOUNT IF USING OTHER EQUIPMENT.
- AC SIGNAL VOLTAGE: 1 KHZ SINE WAVE INPUT, 4 OHM LOAD.
- DC VOLTAGE: NO SIGNAL INPUT
- 3) BIAS VOLTAGE: NO SIGNAL, NO LOAD, @ 120 VAC LINE 3 mV ACROSS R26, R27

PART	DESCRIPTION	PART NO.
C19,20	.01/100V	10A103-11
C21,22	4700/50	12-478-52
D1	1N746A	21A146-01
D2	1N746A	21A146-01
D3	1N4740A	21A440-01
D4	1N914	21A914-01
D5	1N746A	21A146-01
D6	1N3070	21A370-01
D7	1N914	21A914-01
D8	1N746A	21A146-01
D9	1N3070	21A370-01
D10	1N5393	21A593-01
D11	1N5393	21A593-01
Q1	MPSA56	96-056-01
Q2	MPSA56	96-056-01
Q3	MPSA56	96-056-01
Q4	2N3402	96-340-01
Q5	2N3402	96-342-01
Q6	MPSA06	96-006-01
Q7	MPSA06	96-056-01
Q8	TIP31C	96-031-03
Q9	TIP32C	96-032-03
Q10	MJ15001	96-101-01
Q11	MJ15002	96-102-01
J1,2,8,9	1/4" JACK	39-116-01
J3	1/4" JACK	39-117-01
J4	5 PIN HEADER	17-313-05
J5,7	.250 TAB	17-836-01
S1	SWITCH	88-202-01
BR-1	BRIDGE REC	21-206-01
TP-1	TRIM POT	71-501-02

PCB# 06A410-02
A-I DESIGNED

TOLERANCES	REVISIONS	NO.	DATE	BY
DECIMAL	1			
FRACTIONAL	2			
ANGULAR	3			

AMPEG POWER AMP.
SVT-70T / B-1ST / SVT-100T
SLM ELECTRONICS 1400
FERGUSON ST. LOUIS MO 63133
SCALE: 2X
DATE: 12-8-86
DRAWING NO.: 16-406-01