

MusicParts.Com

Technical Document Distribution

Brand:	Ampeg
Model	SVT-400T
Product:	Solid-State Amplifier
Description:	Schematic

Musicparts Document Number: 47585 TechTips: Yes Pages: 4 Dated: 1988

Hello,

Welcome to MusicParts.Com, Inc. your online resource for technical documents and service information. This PDF package may contain information, schematics, parts lists, images, engineering changes, previous versions, circuit descriptions, and many other unique features about the product you have chosen. This document was assembled from a variety of sources and is the result of our many years in the music repair business.

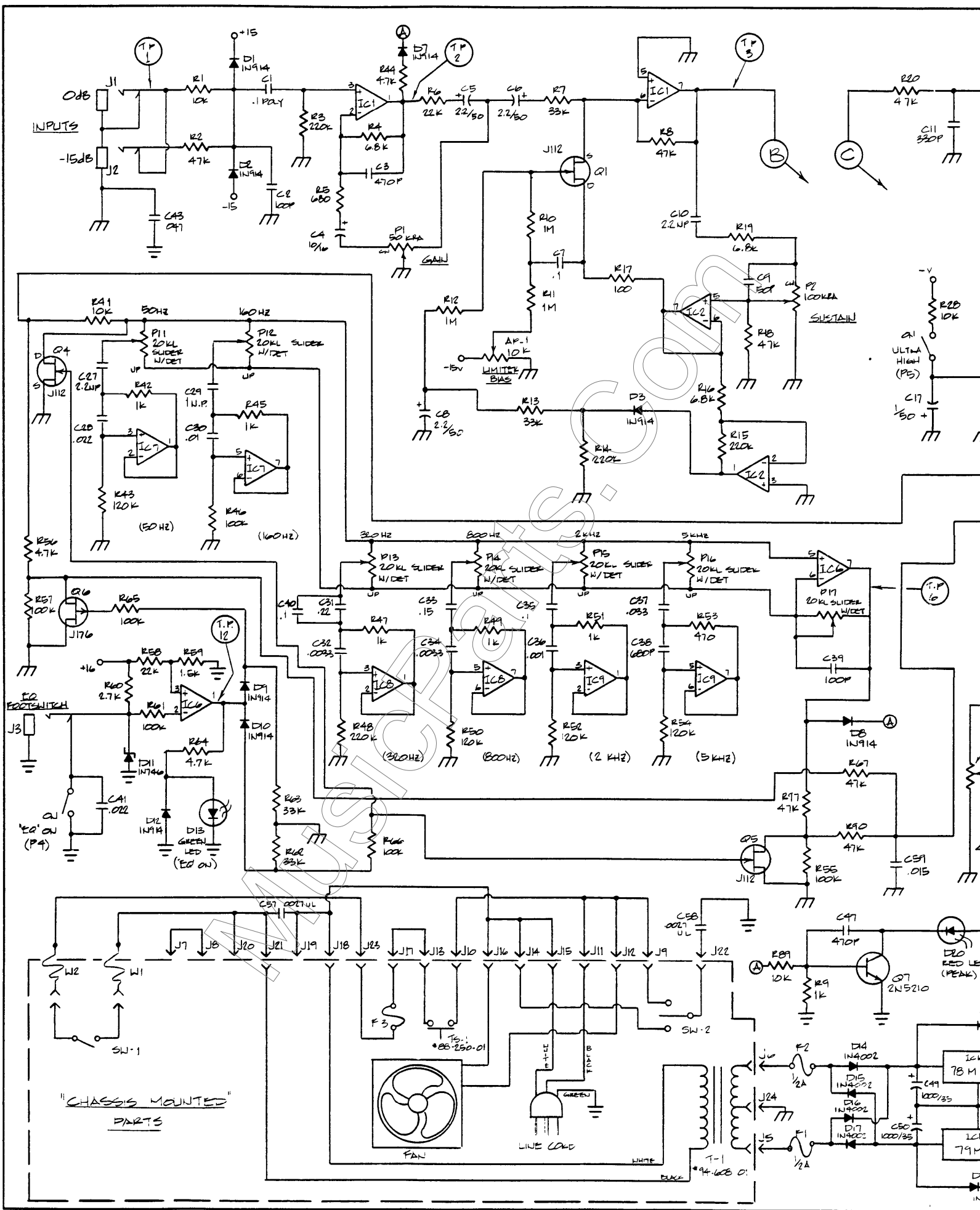
NOTE: Large original over-sized drawings will need to be taped together. We feel this is better than reducing them and losing the fine details.

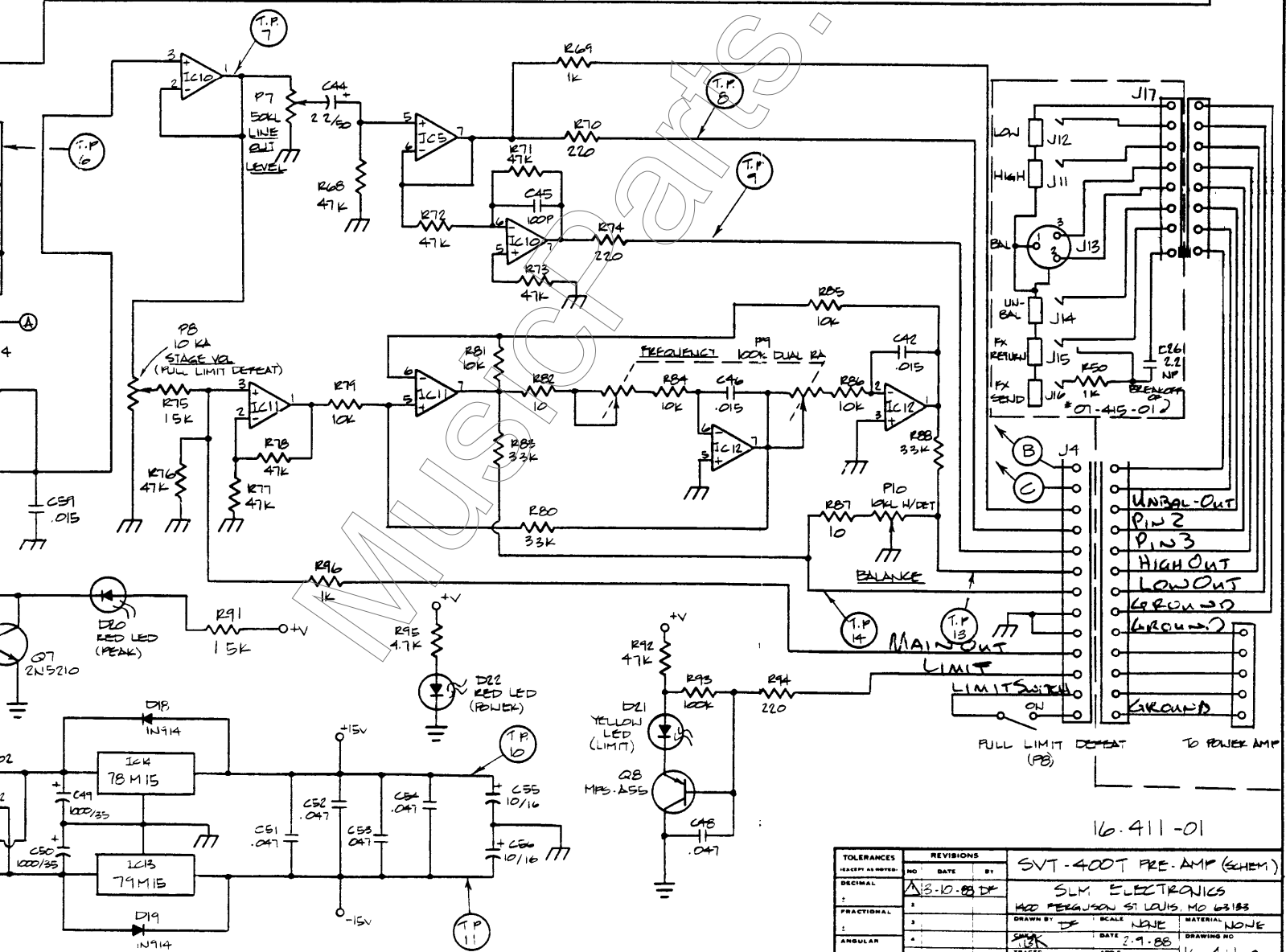
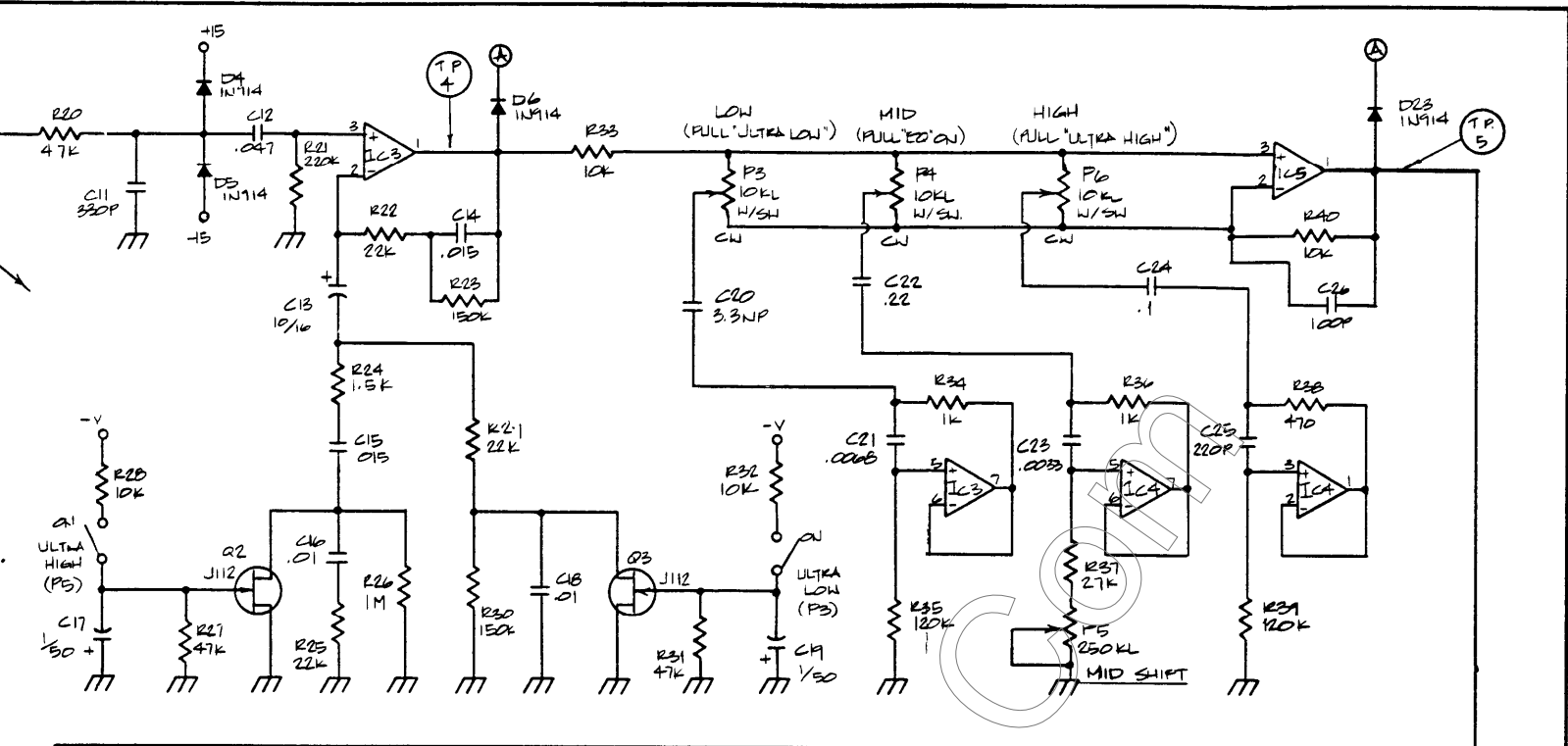
VIEWING: This document is utilizing PAGE-ON-DEMAND downloading. This will let you navigate to any page without waiting for the entire file to download. Just click ON the thumbnails.

PRINTING: Very Important!

When the print dialog appears, please make sure "**REDUCE TO PAPER SIZE**" OR "**SHRINK OVERSIZED PAGES**" is checked, otherwise you may cut off the edge of the page. This will compensate for your printer's margins and produce a great looking printout. Also please stay online while printing this document to make sure you get all the pages.

Visit us on the web at: <http://www.musicparts.com/>
Email us at: customerservice@musicparts.com





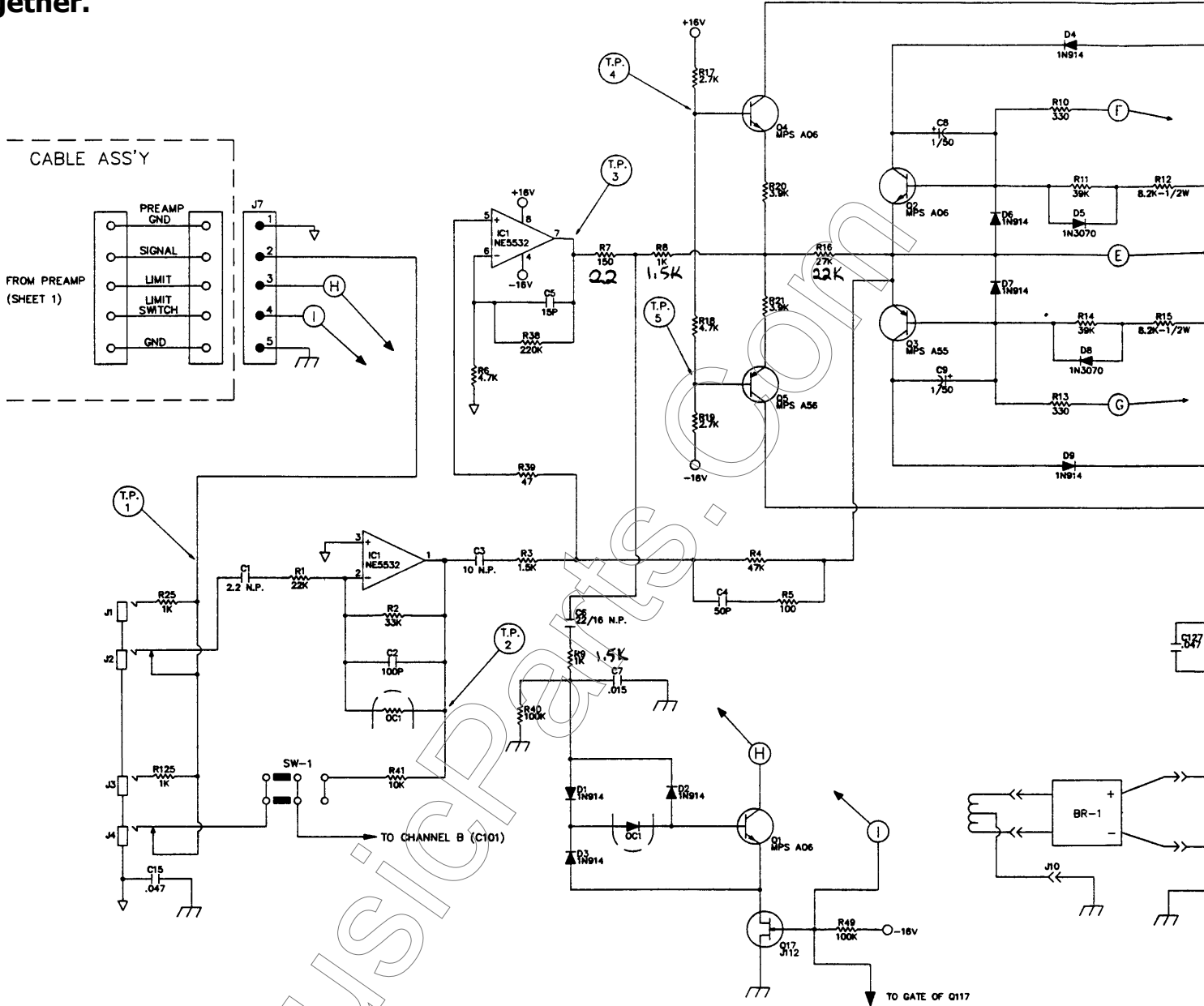
16.411-01

TOLERANCES		REVISIONS			SVT-400T PRE-AMP (SCHEM.)	
UNLESS OTHERWISE SPECIFIED	NO.	DATE	BY	NO.	DATE	BY
DECIMAL	1	13-10-88	DP	1		
FRACTIONAL	2					
ANGULAR	3					

SLM ELECTRONICS
460 PERRINSON ST LOUIS, MO 63183

DRAWN BY: *DP* SCALE: NONE MATERIAL: NONE
 DATE: 2-9-88 DRAWING NO: 16.411-01
 APP: *DP*

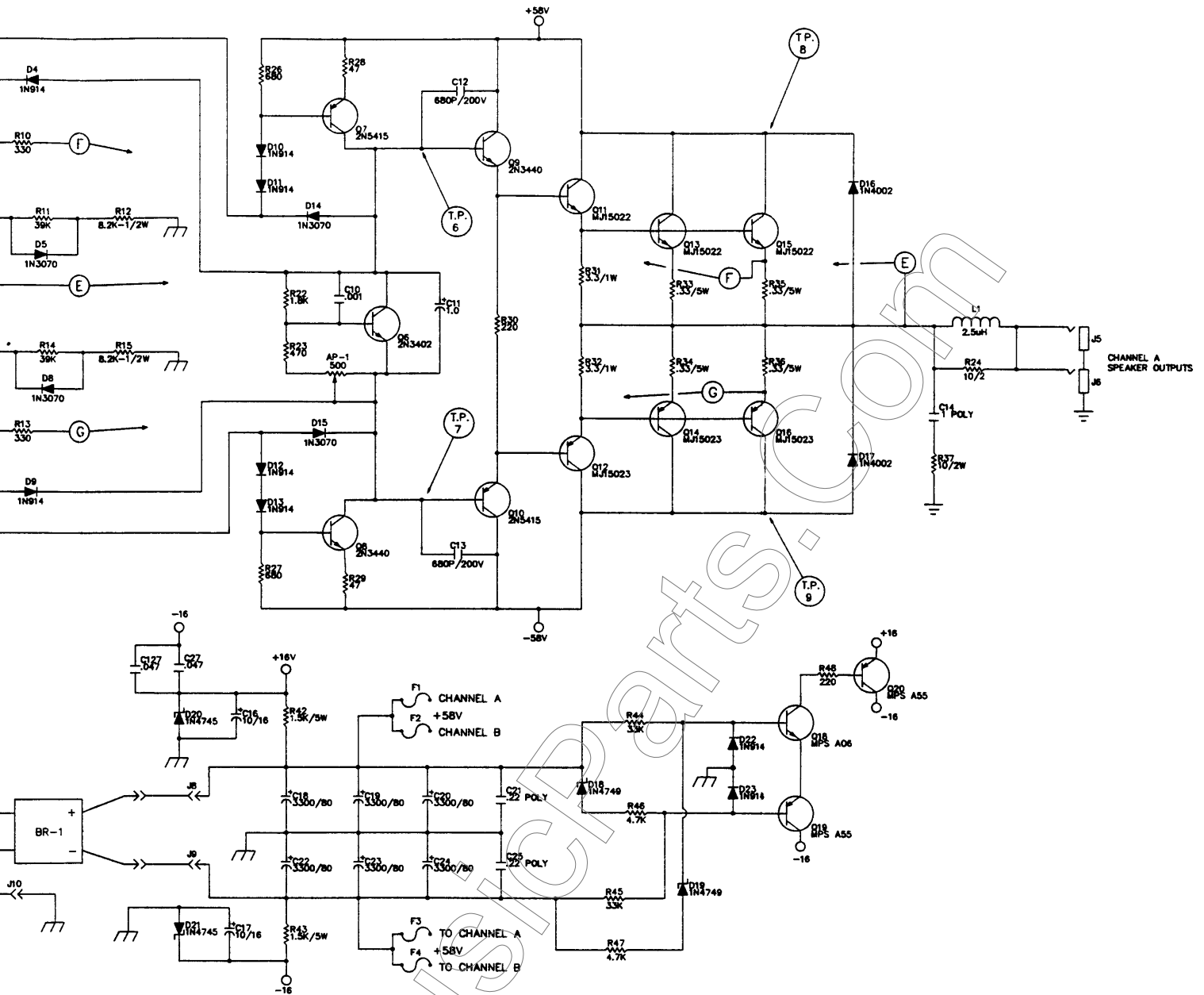
Musicparts.com Techtip:
When PC is out of chassis,
connect ground pins 1 & 7 of J7
together.



PARTIAL PARTS LIST

PART	DESCRIP.	PART NO.	PART	DESCRIP.	PART NO.
Q1, 101	MPSAD6	96-006-01	J1-4	1/4" CLIFF	39-116-01
Q2, 102	MPSAD6	96-006-01	J5, 105	1/4" CLIFF	39-116-01
Q3, 103	MPSA55	96-055-01	J6, 106	1/4" CLIFF	39-116-01
Q4, 104	MPSAD6	96-006-01	J7	(5) PIN HDR	17-310-05
Q5, 105	MPSA56	96-056-01	J8-10	.250 FASTON	17-836-01
Q6, 106	2N3402	96-342-01	J11, 12	1/4" CLIFF	39-116-01
Q7, 107	2N5415	96-515-01	J13	MALE XLR	39-308-01
Q8, 108	2N3440	96-340-01	J14-16	1/4" CLIFF	39-116-01
Q9, 109	2N3440	96-340-01	J17	(8) PIN HDR	17-310-08
Q10, 110	2N5415	96-515-01	IC1, 101	NE5532	37-532-01
Q11, 111	MJ15022	96-122-01	AP-1, 101	500 TRIM PDT	71-501-02
Q12, 112	MJ15023	96-123-01	L1, 101	2.5uH CDIL	94-142-01
Q13, 113	MJ15022	96-122-01	DC-1, 101	DPTD CPLR SC7	66-100-01
Q14, 114	MJ15023	96-123-01	SW-1	DP DT SWITCH	88-301-01
Q15, 115	MJ15022	96-122-01	JW1-21	JUMPER	76-000-02
Q16, 116	MJ15023	96-123-01	BR-1	BRIDGE RECT.	21-204-01
Q17, 117	J112	96-112-01			
Q18, 118	MPSAD6	96-006-01			
Q19, 20	MPSA55	96-055-01			
			THERMAL SWITCH	88-250-01	
			3" 18G RED SLUG/RING	97-153-72	
			3" 18G BLK SLUG/RING	97-153-76	
			10A FUSE	23-310-01	

TEST POINTS	V(AC) RMS	V(DC)
1	.883V	0
2	1.3V	10mv ± 5mv
3	1.7V	200mv ± 50mv
4	0	8V ± .5V
5	0	8V ± .5V
6	40V	1.45V ± 20mv
7	40V	1.45V ± 20mv
8	.2VP-P RIPPLE	58V ± 2V
9	.2VP-P RIPPLE	-58V ± 2V



MS	V(DC)
	0
	10mv ± 5mv
	200mv ± 50mv
	8V ± .5V
	8V ± .5V
	1.45V ± 20mv
	1.45V ± 20mv
PPLE	58V ± 2V
PPLE	-58V ± 2V

NOTES:

- 1) THIS UNIT CONTAINS HAZARDOUS VOLTAGE. DISCONNECT POWER SUPPLY AND BE SURE POWER SUPPLY IS DISCHARGED BEFORE TOUCHING INTERNAL PARTS.
- 2) UNLESS NOTED, RESISTOR VALUES IN OHMS, 1/4W-5% TOL. CAPACITOR VALUES IN MICROFARADS, 50V-10% TOL.
- 3) VOLTAGES MEASURED WITH 1 MEGOHM OSCILLOSCOPE AND 10 MEGOHM DIGITAL VOLTMETER.
- 4) ADJUST BIAS FOR 300mv ACROSS R31,131 OR R32,132.
- 5) CHANNEL "B" IS IDENTICAL TO CHANNEL "A" EXCEPT THE DESIGNATORS START AT 101. R41 AND R49 DO NOT REPEAT.

ORIG.	DAN-6/15/88	TEK	TEK
VERS.	DRAWN BY	CHECKED BY	APPROVED BY
PAGE #	DRAWING #		16-411-01
DESCRIPTION: SVT-400T PWR-AMP (SHEM.)			

SLM ELECTRONICS
 11880 BORMAN DR.
 ST. LOUIS, MO 63146