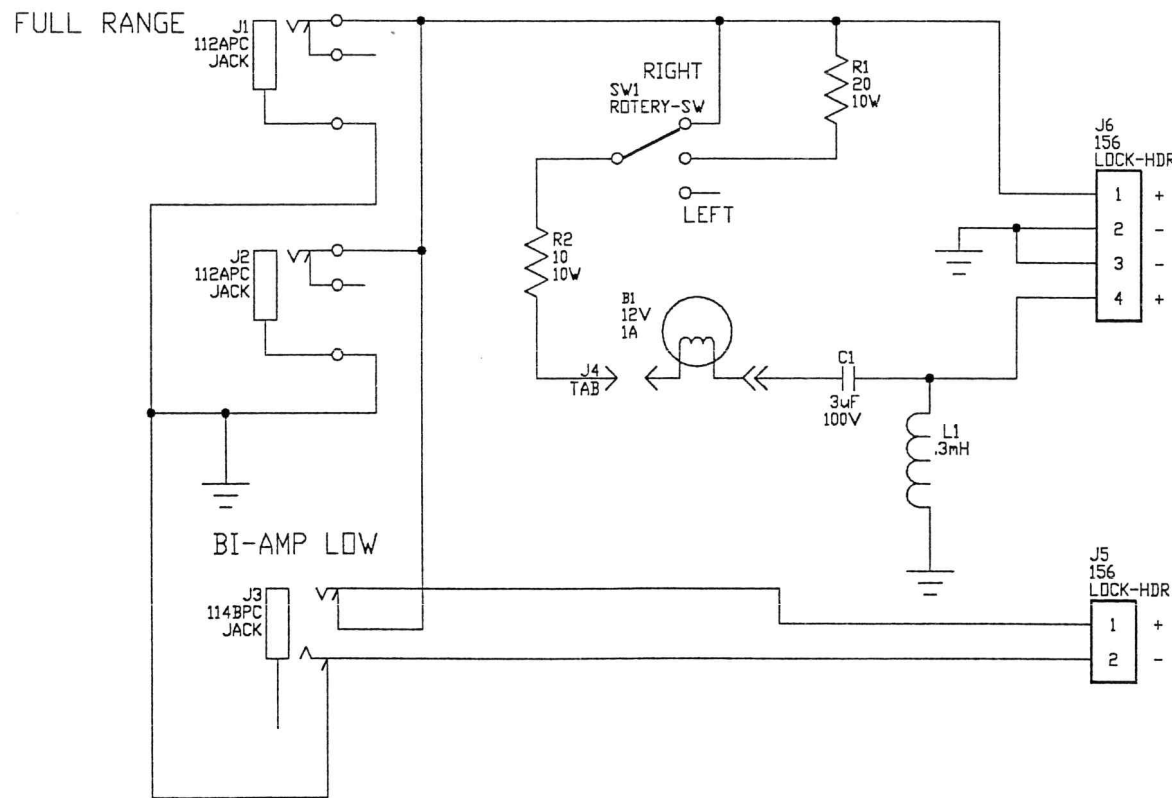



DESIGNATOR	PART #	DESCRIPTION
B1	49-201-01	12V 1A
C1	12-335-81	3uF 100V
J1	39-012-01	112APC JACK
J2	39-012-01	112APC JACK
J3	39-114-02	114BPC JACK
J4	17-836-01	TAB
J5	17-313-02	156 LOCK
J6	17-313-04	156 LOCK
L1	94-131-01	.3mH
R1	78-200-10	20 10W
R2	78-100-10	10 10W
SW1	88-203-05	ROTARY-SW

TOTAL PARTS QUANTITY= 12

SVT-50DL JACKPLATE ASSEMBLY  
#16-755-01

PART NUMBER	DESCRIPTION	QTY
15-315-11	BIAMP JACKPLATE	1
30-300-01	1/4" NUT & WASHER SET	3
30-380-01	3/8" INT TOOTH LOCKWASHER	2
30-631-01	#6 INT LOCKWASHER	1
30-638-53	6-32 X 3/8" PPH SCREW	6
30-700-01	6-32 HEX KEPNUT	2
45-050-01	ELEC HARDWARE #232 KNOB	1
49-202-01	28V 1A INCAND. LAMP	1
81-115-01	X-OVER SWITCH GASKET	1
85-132-01	1" HEX STANDOFF	2
97-120-01	LAMP SOCKET ASSEMBLY	1
68-131-01	3/8" INS. SHLDR WASHER	1
68-732-01	SMALL INS 3/8" FLAT WASHER	1



SIGNATURES:		DATE:	 11880 BORMAN DR. ST. LOUIS, MISSOURI 63148
DRAWN:	REM	11/11/92	
CHK'D:	DKS	11/11/92	PROJECT NAME:
APP'D:	DKS	11/11/92	SVT-50DL SPEAKER ENCLOSURE
ORIGINAL ISSUED:	01/13/93	DRAWING NAME:	X-OVER BOARD PICTORIAL
PLOT DATE:	01/13/93	DRAWING NO.	07P755-01
PLOT TIME:	01:50:01	SCALE:	2:1
FILE NAME:	P75501	SHEET:	1 OF 1