

BIAS ADJUSTMENT: WITH NO SIGNAL AND NO LOAD
 ADJUST AP101 TO OBTAIN AN AVERAGE OF 25 ± 5mV ACROSS R139, 140
 R146, 147, 152, 153, 158, 159, 164, 165.
 ADJUST AP201 TO OBTAIN AN AVERAGE OF 25 ± 5mV ACROSS R239, 240
 R246, 247, 252, 253, 258, 259, 264, 265.

SHEETS 1, 2 & 3 OF THIS DRAWING REPRESENT
 ASSY P/N 07-442-03

| REV. | DATE | DESCRIPTION | ECR/ECN NO. | CHK'D BY: | APP'D BY: | DATE: |
|------|----------|---|-------------|-----------|-----------|-------|
| 1 | 1/08/03 | DRAWING CORRECTED FOR MISSING LINES | N01875 | REM | | |
| 2 | 5/30/01 | MODELS SATS 2, 3, 4, 5, 6, 7, 8, 9, 10, 11, 12, 13, 14, 15, 16, 17, 18, 19, 20, 21, 22, 23, 24, 25, 26, 27, 28, 29, 30, 31, 32, 33, 34, 35, 36, 37, 38, 39, 40, 41, 42, 43, 44, 45, 46, 47, 48, 49, 50, 51, 52, 53, 54, 55, 56, 57, 58, 59, 60, 61, 62, 63, 64, 65, 66, 67, 68, 69, 70, 71, 72, 73, 74, 75, 76, 77, 78, 79, 80, 81, 82, 83, 84, 85, 86, 87, 88, 89, 90, 91, 92, 93, 94, 95, 96, 97, 98, 99, 100 | N02597 | REM | | |
| 3 | 9-28-00 | REWORKED TO CORRECT FOR MISSING LINES | N02413 | RLB | | |
| 4 | 11-30-99 | CHANGED TO -R27-11 VERSIONS | | RLB | | |
| 5 | | CONTROL ISSUE | | | | |

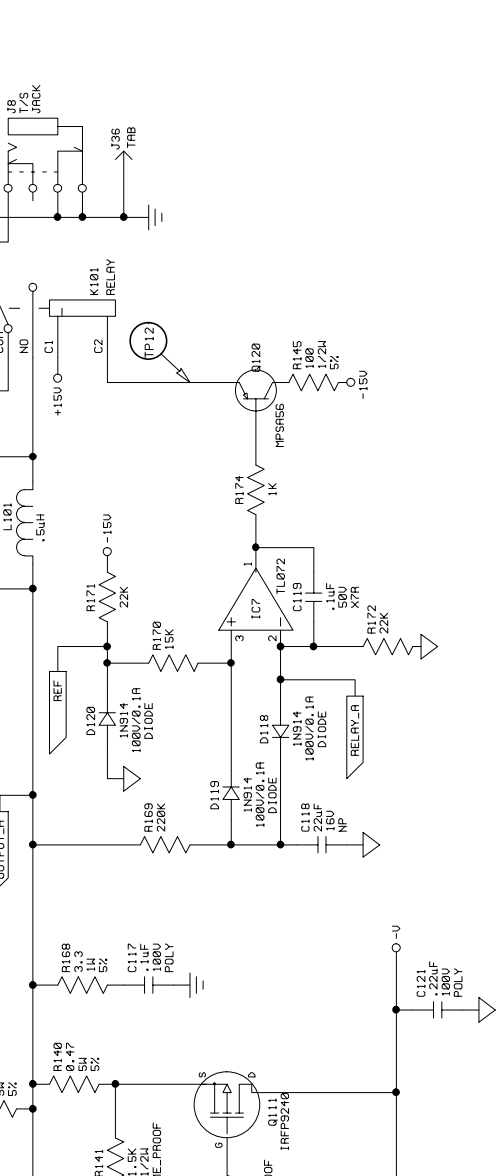
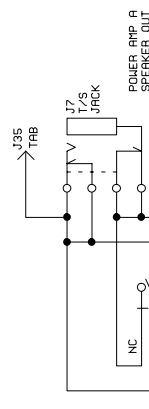
THIS INFORMATION CONTAINED ON THIS DRAWING IS PROPRIETARY TO ST. LOUIS MUSIC, INC.

| | |
|----------------|---------------|
| DATE: | 6-25-98 |
| DRAWN: | REM |
| CHECK'D: | |
| APP'D: | |
| FIRST USED ON: | B-4R_BASS_AMP |
| DRAWING SIZE: | D |
| DRAWING TYPE: | SCHEMATIC |
| CLASS CODE: | |
| SCALE: | NONE |
| SHEET: | SH. 1 OF 9 |
| DRAWING NO.: | 07S442-XX |

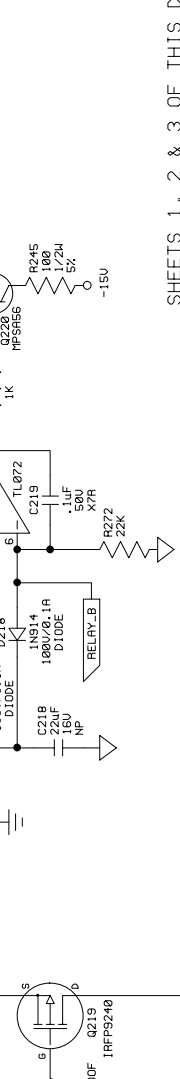
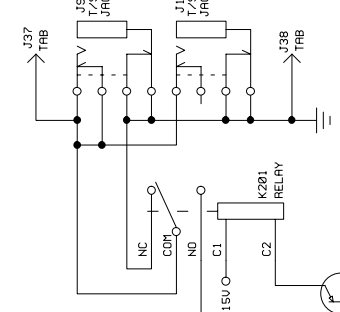
NOTES:
 1) THIS UNIT CONTAINS HAZARDOUS VOLTAGE. DISCONNECT POWER AND BE SURE POWER SUPPLY IS DISCHARGED BEFORE TOUCHING INTERNAL PARTS.
 2) UNLESS NOTED, RESISTOR VALUES IN OHMS, 1/4W-5% TOL. CAPACITOR VALUES IN MICROFARADS, 500-10% TOL.
 3) VOLTAGES ARE MEASURED WITH 1 MEGOHM OSCILLOSCOPE AND 10 MEGOHM DIGITAL VOLTMETER.

CAUTION:
 THIS SCHEMATIC IS PROVIDED FOR USE BY QUALIFIED PERSONNEL. TO AVOID RISK OF ELECTRIC SHOCK, REFER SERVICING TO QUALIFIED SERVICE PERSONNEL. DO NOT PERFORM ANY SERVICING BEYOND THAT EXPLAINED IN THE OPERATING INSTRUCTIONS.

| T.P. | NO | SIGNAL | 40Vrms OUT @ 8 OHMS | LIMITING @ 8 OHMS | AS NOTED | WAVEFORM |
|------|----|-----------|---------------------|-------------------|----------|----------|
| | 9 | +3.6Vdc | 40Vrms | 41Vrms | | ~ |
| | 10 | -3.5Vdc | 40Vrms | 41Vrms | | ~ |
| | 11 | 7.2mVdc | 40Vrms | 41Vrms | | ~ |
| | 12 | -11.52Vdc | | -11.8Vdc | | — |



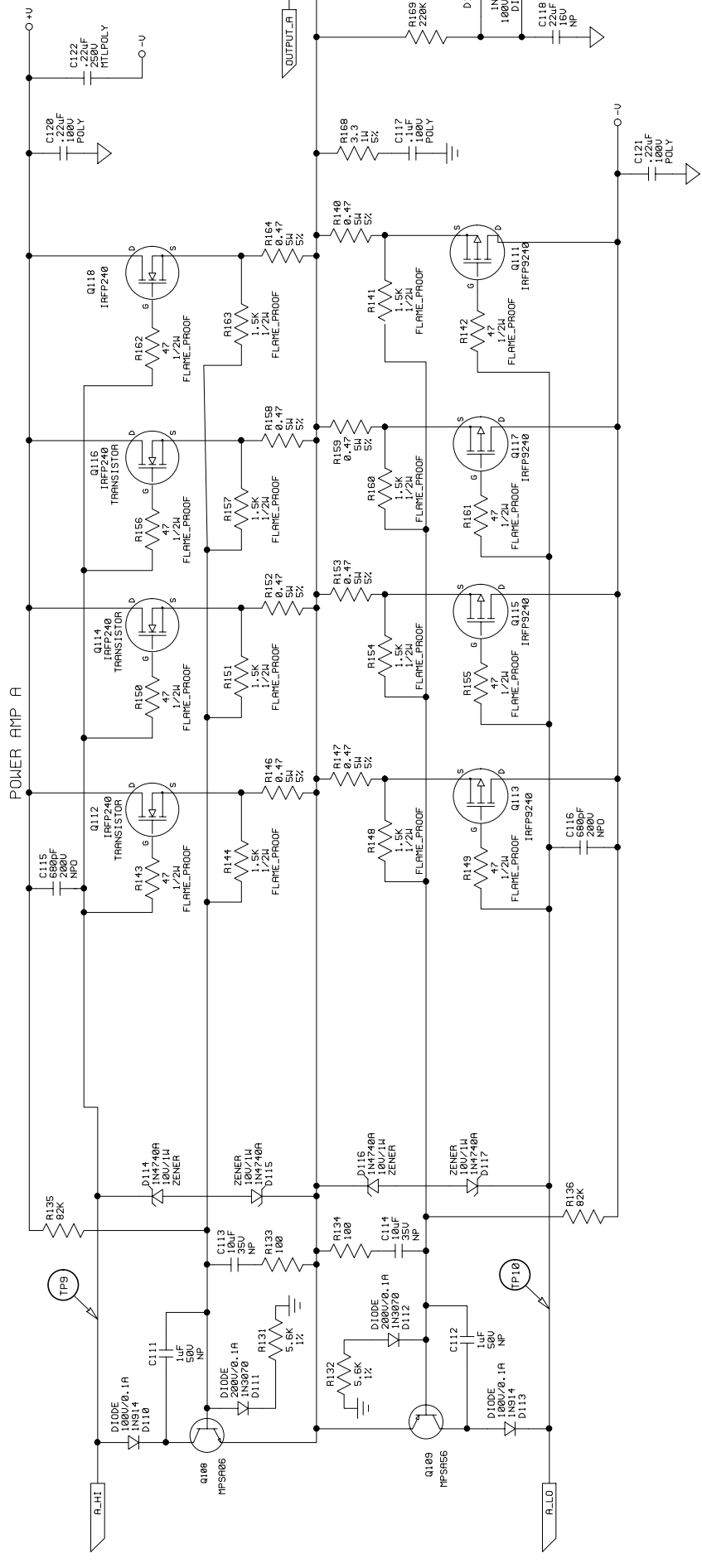
BIAS ADJUSTMENT: WITH NO SIGNAL AND NO LOAD
 ADJUST RP101 TO OBTAIN AN AVERAGE OF 25 ± 5mV ACROSS R139, 140
 R146, 147, 152, 153, 158, 159, 164, 165.
 ADJUST RP201 TO OBTAIN AN AVERAGE OF 25 ± 5mV ACROSS R239, 240
 R246, 247, 252, 253, 258, 259, 264, 265.



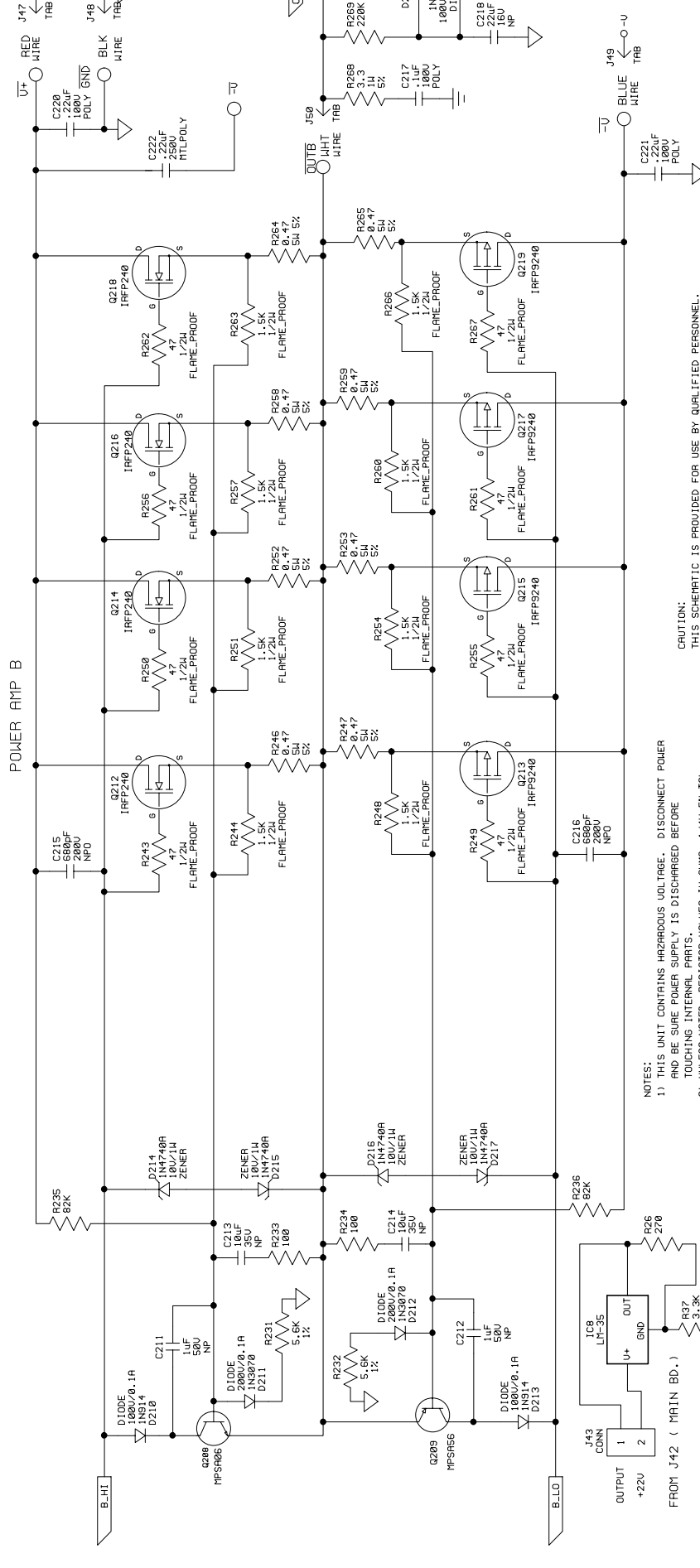
SHEETS 1, 2 & 3 OF THIS DRAWING REPRESENT
 ASSY P/N 07-442-03

| REV. | DATE: | DESCRIPTION | ECR/ECN NO.: | CHG D BY: | APP'D BY: | DATE: | |
|-------------|-------|---|---------------|-----------|-----------|-------|--|
| 4 | | REL-IMP-1-FOR-REV-HISTORY | | | | | |
| | | THIS INFORMATION CONTAINED ON THIS DRAWING IS PROPRIETARY TO ST. LOUIS INDUST. INC. | | | | | |
| DRAWN: | REH | DATE: | 6-25-98 | | | | |
| CHK'D: | | FIRST USED ON: | B-4R-BASS_AMP | | | | |
| REL'D TO: | | DRAWING SIZE: | D | | | | |
| TOLERANCES: | | DRAWING TYPE: | - SCHEMATIC | | | | |
| | | CLASS CODE: | | | | | |
| | | SCALE: | NONE | | | | |
| | | SHEET: | SHT 2 OF 9 | | | | |
| | | DRAWING NO.: | 07S442-XX | | | | |

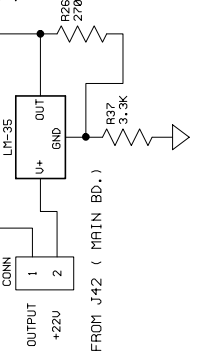
POWER AMP A



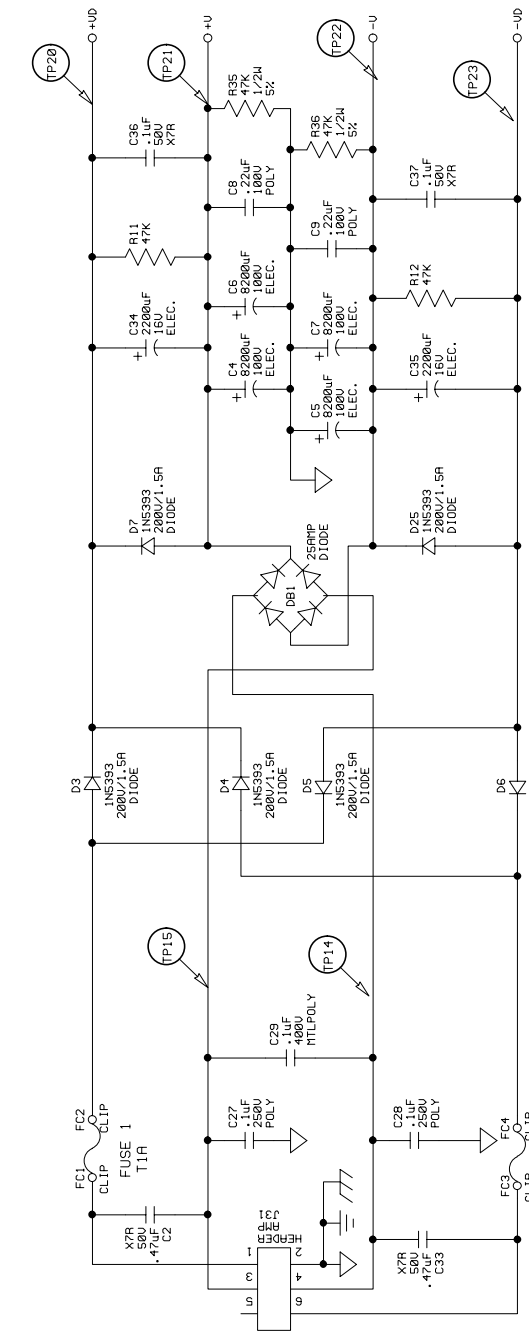
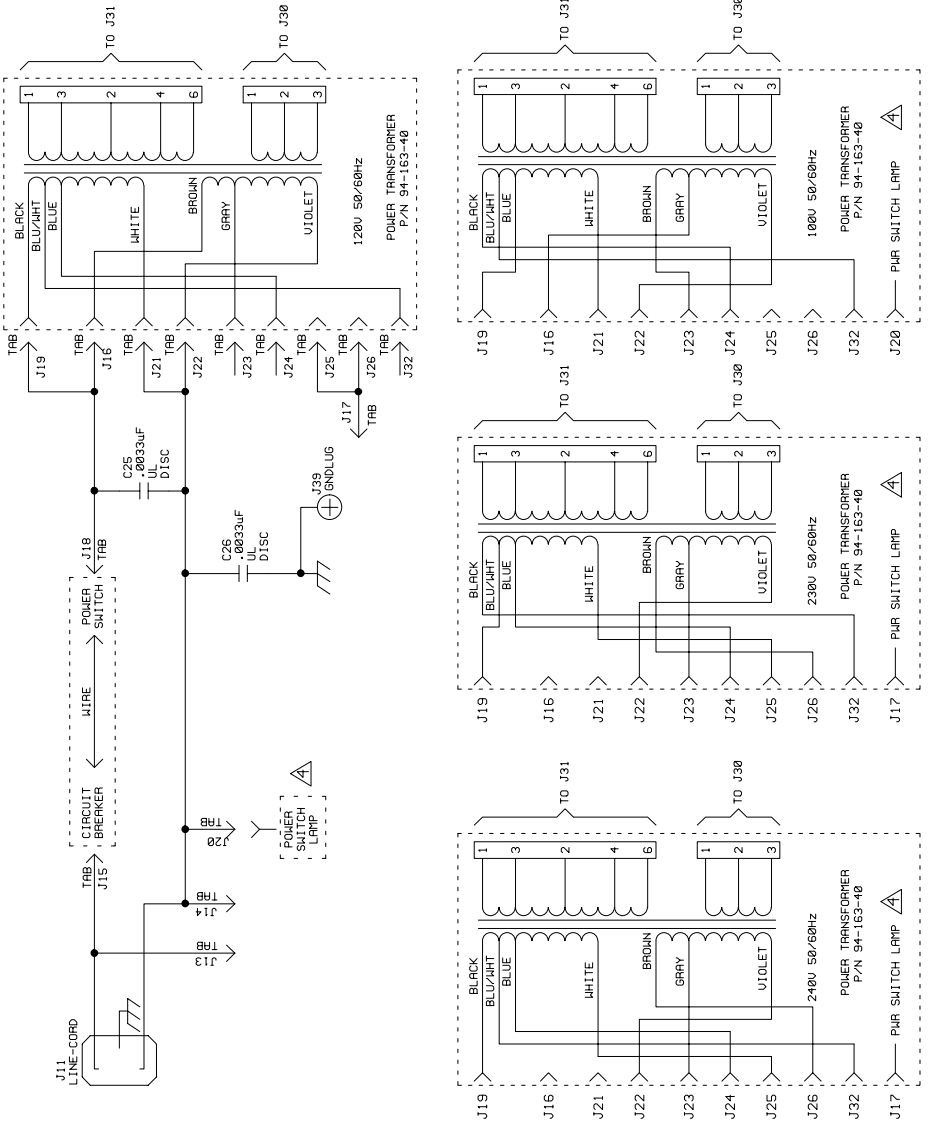
POWER AMP B



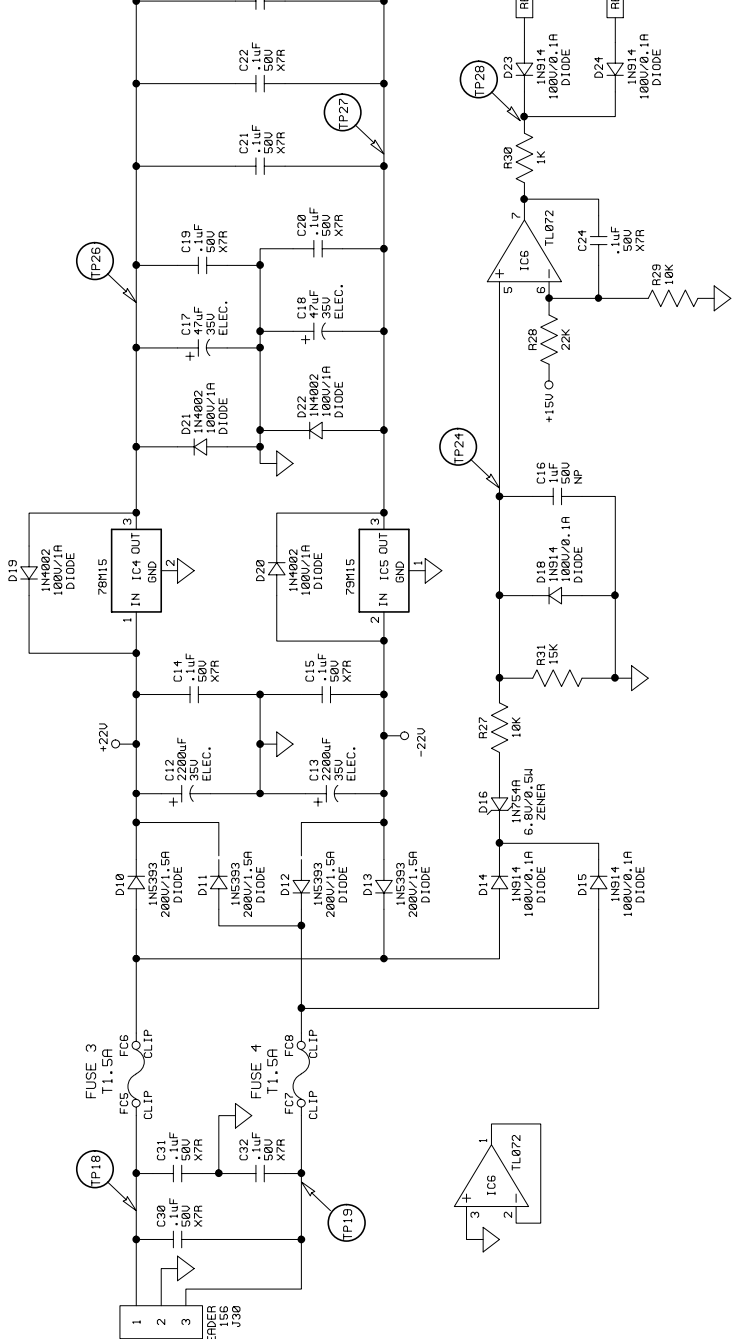
- NOTES:
- 1) THIS UNIT CONTAINS HAZARDOUS VOLTAGE. DISCONNECT POWER AND BE SURE POWER SUPPLY IS DISCHARGED BEFORE TOUCHING INTERNAL PARTS.
 - 2) UNLESS NOTED, RESISTOR VALUES IN OHMS, 1/4W-5% TOL. CAPACITOR VALUES IN MICROFARADS, 50V-10% TOL.
 - 3) VOLTAGES ARE MEASURED WITH 1 MEGOHM DIGITAL OSCILLOSCOPE AND 10 MEGOHM DIGITAL VOLTMETER.
- CAUTION: THIS SCHEMATIC IS PROVIDED FOR USE BY QUALIFIED PERSONNEL TO AVOID RISK OF ELECTRIC SHOCK. REFER SERVICING TO QUALIFIED SERVICE PERSONNEL. DO NOT PERFORM ANY SERVICING BEYOND THAT EXPLAINED IN THE OPERATING INSTRUCTIONS.



FROM J42 (MAIN BD.)



POWER SUPPLY



FAN SPEED CONTROL

OVER-TEMP PROTECTION

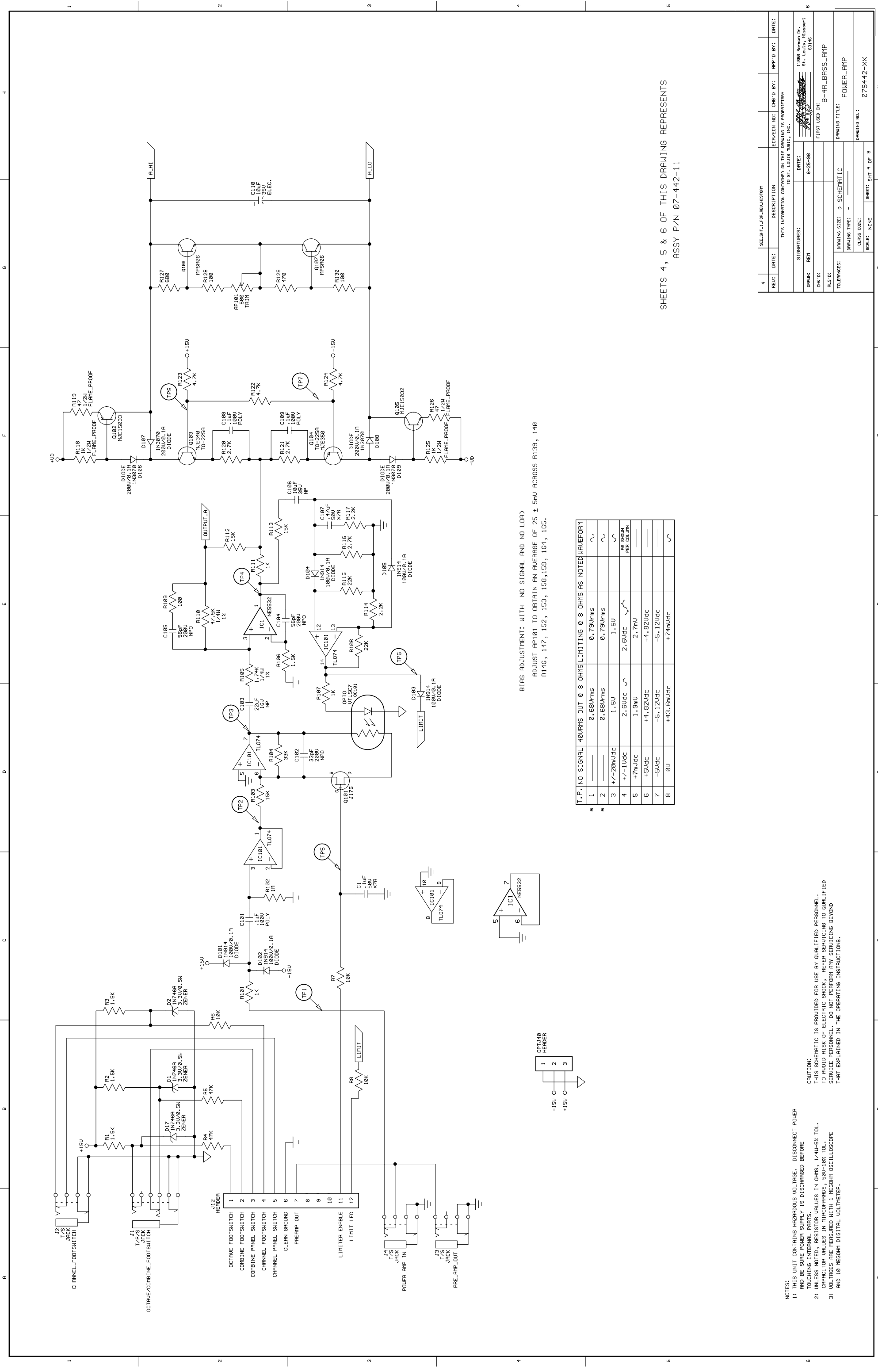
| TP NO | SIGNAL | 40Vrms OUT @ 8 OHMS LIMITING @ 8 OHMS AS NOTED ABOVE | Varies w/Temp. | Varies w/Temp. |
|-------|---------------|--|----------------|----------------|
| 13 | VARIES w/TEMP | | | |
| 14 | 61uAc | 51uAc | 51uAc | ~ |
| 15 | 61uAc | 51uAc | 51uAc | ~ |
| 16 | +14.0Vdc | -4.6Vdc | -4.6Vdc | ~ |
| 17 | +14.4Vdc | +14.4Vdc | +14.4Vdc | ~ |
| 18 | 20VAc | 19VAc | 19VAc | ~ |
| 19 | 20VAc | 19VAc | 19VAc | ~ |
| 20 | +71.0Vdc | +64.5Vdc | +64.5Vdc | ~ |
| 21 | +63.0Vdc | +59.0Vdc | +59.0Vdc | ~ |
| 22 | -63.0Vdc | -59.0Vdc | -59.0Vdc | ~ |
| 23 | -71.0Vdc | -64.5Vdc | -64.5Vdc | ~ |
| 24 | +6.0Vdc | +5.73Vdc | +5.73Vdc | ~ |
| 25 | NOT USED | | | |
| 26 | +15.0Vdc | +15.0Vdc | +15.0Vdc | ~ |
| 27 | -15.0Vdc | -15.0Vdc | -15.0Vdc | ~ |
| 28 | +14.3Vdc | +14.3Vdc | +14.3Vdc | ~ |

- NOTES:
- 1) THIS UNIT CONTAINS HAZARDOUS VOLTAGE. DISCONNECT POWER AND BE SURE POWER SUPPLY IS DISCHARGED BEFORE TOUCHING INTERNAL PARTS.
 - 2) UNLESS NOTED, RESISTOR VALUES IN OHMS, 1/4W-5% TOL. CAPACITOR VALUES IN MICROFARADS, 50V-10% TOL.
 - 3) VOLTAGES ARE MEASURED WITH 1 MEGOHM OSCILLOSCOPE AND 10 MEGOHM DIGITAL VOLTMETER.
 - 4) IF REQUIRED FOR CHASSIS ASSY.

CAUTION: THIS SCHEMATIC IS PROVIDED FOR USE BY QUALIFIED PERSONNEL. TO AVOID RISK OF ELECTRIC SHOCK, REFER SERVICING TO QUALIFIED SERVICE PERSONNEL. DO NOT PERFORM ANY SERVICING BEYOND THAT EXPLAINED IN THE OPERATING INSTRUCTIONS.

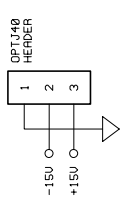
SHEETS 1, 2 & 3 OF THIS DRAWING REPRESENT ASSY P/N 07-442-03

| REV. | DATE: | DESCRIPTION | CHK'D BY: | APP'D BY: | DATE: |
|--|-----------|---------------------------|---------------|---------------------|------------|
| 4 | | SEE SH-1 FOR REV. HISTORY | | | |
| THIS INFORMATION CONTAINED ON THIS DRAWING IS PROPRIETARY TO ST. LOUIS MUSIC, INC. | | | | | |
| DATE: | 6-25-98 | DRAWN: | REP | CHECKED: | |
| DESIGNED: | | DATE: | | 11888 | Borman Dr. |
| SCALE: | NONE | FIRST USED ON: | B-4R-BASS-AMP | St. Louis, Missouri | 63116 |
| DRAWING SIZE: | D | DRAWING TITLE: | POWER_AMP | | |
| DRAWING TYPE: | SCHEMATIC | | | | |
| CLASS CODE: | | | | | |
| SHEET: | 3 OF 9 | DRAWING NO.: | 075442-XX | | |



BIAS ADJUSTMENT: WITH NO SIGNAL AND NO LOAD
 ADJUST AP101 TO OBTAIN AN AVERAGE OF 25 ± 5mV ACROSS R139, 140
 R146, 147, 152, 153, 158, 159, 164, 165.

| T.P. | NO SIGNAL | 40uRMS OUT @ 8 OHMS | LIMITING @ 8 OHMS | AS NOTED | HAUFORIT |
|------|-----------|---------------------|-------------------|----------|---------------------|
| 1 | 0.68Vrms | 0.79Vrms | ~ | ~ | ~ |
| 2 | 0.68Vrms | 0.79Vrms | ~ | ~ | ~ |
| 3 | +/-20mVdc | 1.5U | 2.6Vdc | 2.7mV | AS SHOWN FOR COLUMN |
| 4 | +/-1Vdc | 1.5mV | +4.82Vdc | -5.12Vdc | +74mVdc |
| 5 | +7mVdc | 1.5mV | +4.82Vdc | -5.12Vdc | +74mVdc |
| 6 | +5Vdc | +4.82Vdc | -5.12Vdc | +74mVdc | |
| 7 | -5Vdc | +4.82Vdc | -5.12Vdc | +74mVdc | |
| 8 | 0U | +43.6mVdc | | | |

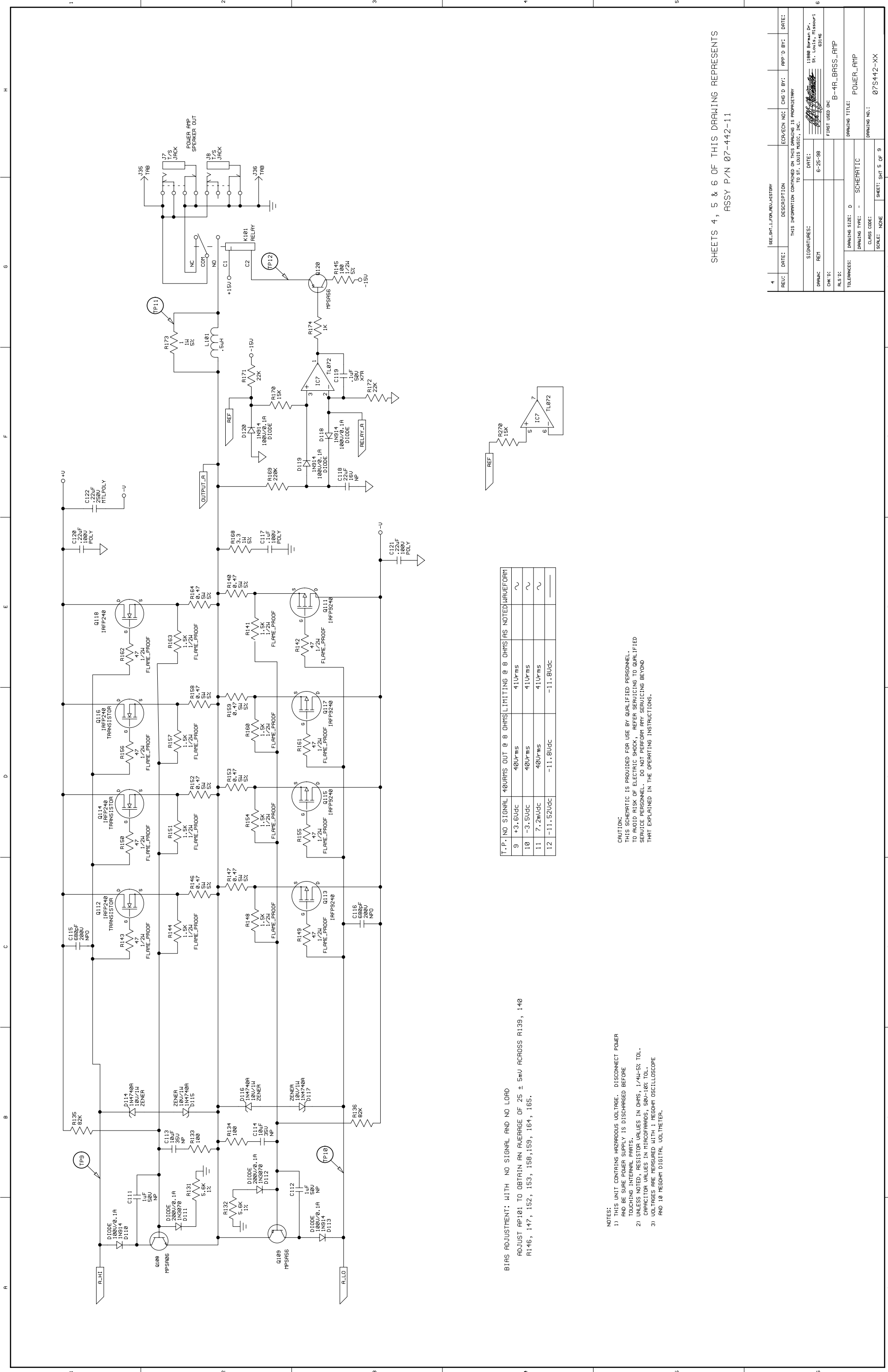


- NOTES:
- 1) THIS UNIT CONTAINS HAZARDOUS VOLTAGE. DISCONNECT POWER AND BE SURE POWER SUPPLY IS DISCHARGED BEFORE TOUCHING INTERNAL PARTS.
 - 2) UNLESS NOTED, RESISTOR VALUES IN OHMS, 1/4W-5% TOL. CAPACITOR VALUES IN MICROFARADS, 50V-10% TOL.
 - 3) VOLTAGES ARE MEASURED WITH 1 MEGOHM OSCILLOSCOPE AND 10 MEGOHM DIGITAL VOLTMETER.

CAUTION:
 THIS SCHEMATIC IS PROVIDED FOR USE BY QUALIFIED PERSONNEL.
 TO AVOID RISK OF ELECTRIC SHOCK, REFER SERVICING TO QUALIFIED
 SERVICE PERSONNEL. DO NOT PERFORM ANY SERVICING BEYOND
 THAT EXPLAINED IN THE OPERATING INSTRUCTIONS.

SHEETS 4, 5 & 6 OF THIS DRAWING REPRESENTS
 ASSY P/N 07-442-11

| | | | | | | |
|--|---------------------------|-------------|---|-----------|-----------|---------------|
| REV: | DATE: | DESCRIPTION | ECR/ECN NO.: | CHK'D BY: | APP'D BY: | DATE: |
| THIS INFORMATION CONTAINED ON THIS DRAWING IS PROPRIETARY TO ST. LOUIS MUSIC, INC. | | | | | | |
| SIGNATURES: | REV: | DATE: | 11888 Bussing Co. St. Louis, Missouri 63146 | | | |
| DRAWN: RET | DATE: | 6-25-98 | FIRST USED ON: B-4R-BASS-AMP | | | |
| CHK'D: | DRAWING TITLE: POWER_AMP | | | | | |
| ALS'D: | DRAWING TYPE: D SCHEMATIC | | | | | |
| TOLERANCES: | DRAWING NO.: 07S442-XX | | | | | |
| CLASS CODE: | | | | | | SHEET: 4 OF 9 |
| SCALE: NONE | | | | | | |



BIAS ADJUSTMENT: WITH NO SIGNAL AND NO LOAD
 ADJUST RP101 TO OBTAIN AN AVERAGE OF $25 \pm 5mV$ ACROSS R139, 140,
 R146, 147, 152, 153, 158, 159, 164, 165.

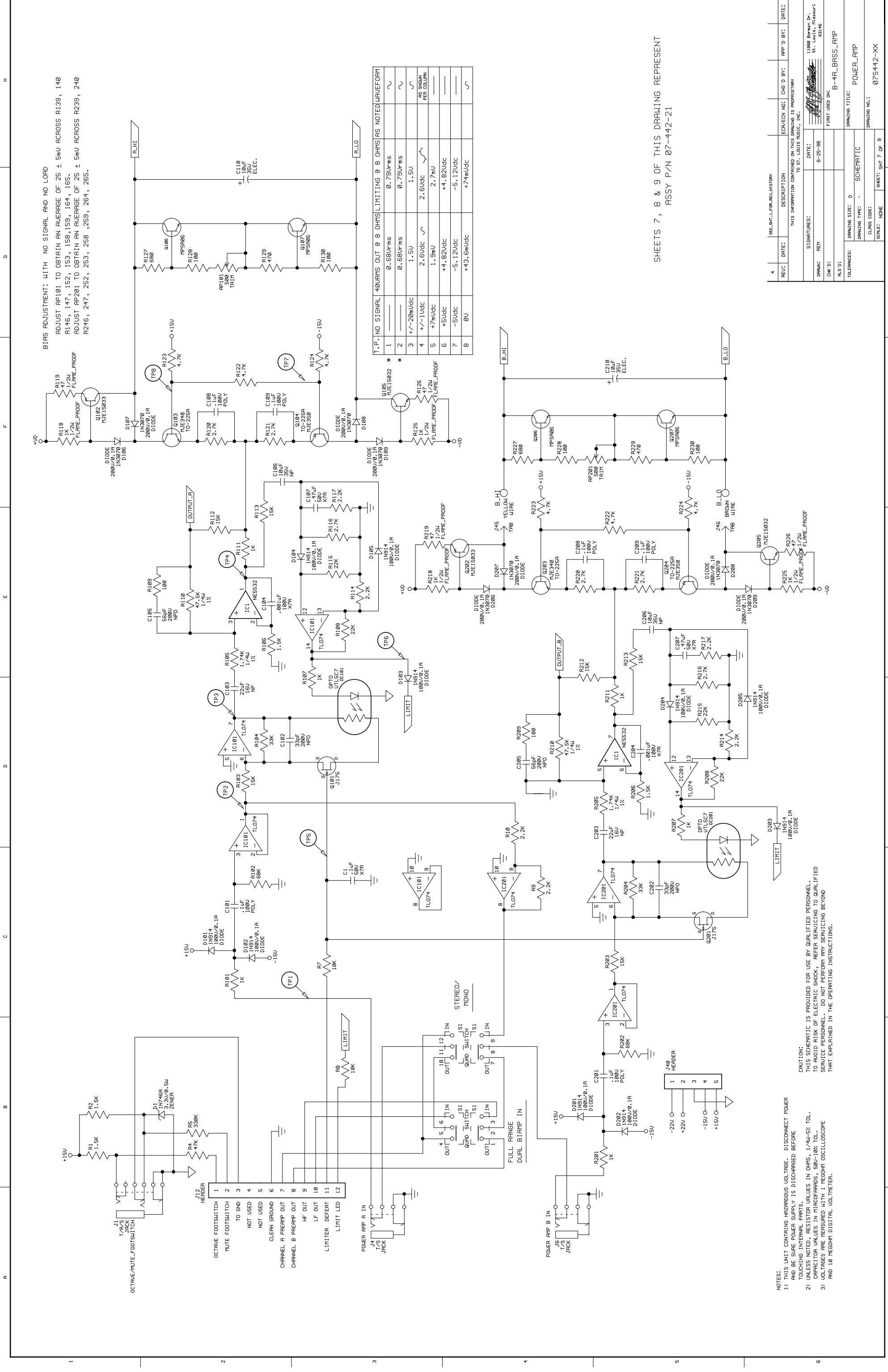
| T.P. NO | SIGNAL | 40uRMS OUT @ 8 OHMS | LIMITING @ 8 OHMS | AS NOTED WAVEFORM |
|---------|-----------|---------------------|-------------------|-------------------|
| 9 | +3.6VDC | 40uRms | 41uRms | ~ |
| 10 | -3.5VDC | 40uRms | 41uRms | ~ |
| 11 | 7.2mVDC | 40uRms | 41uRms | ~ |
| 12 | -11.52VDC | -11.8VDC | - | - |

- NOTES:
- 1) THIS UNIT CONTAINS HAZARDOUS VOLTAGE. DISCONNECT POWER AND BE SURE POWER SUPPLY IS DISCHARGED BEFORE TOUCHING INTERNAL PARTS.
 - 2) UNLESS NOTED, RESISTOR VALUES IN OHMS, 1/4W-5% TOL. CAPACITOR VALUES IN MICROFARADS, 50V-10% TOL.
 - 3) VOLTAGES ARE MEASURED WITH 1 MEGOHM OSCILLOSCOPE AND 10 MEGOHM DIGITAL VOLTMETER.

CAUTION:
 THIS SCHEMATIC IS PROVIDED FOR USE BY QUALIFIED PERSONNEL.
 TO AVOID RISK OF ELECTRIC SHOCK, REFER SERVICING TO QUALIFIED
 SERVICE PERSONNEL. DO NOT PERFORM ANY SERVICING BEYOND
 THAT EXPLAINED IN THE OPERATING INSTRUCTIONS.

SHEETS 4, 5 & 6 OF THIS DRAWING REPRESENTS
 ASSY P/N 07-442-11

| REV. | DATE: | DESCRIPTION | ECN/ECN NO. | CHG D BY: | APP'D BY: | DATE: |
|--|-------|-----------------------------|--|-----------|-----------|-------|
| 4 | | SEE SHT. 1 FOR REL. HISTORY | | | | |
| THIS INFORMATION CONTAINED ON THIS DRAWING IS PROPRIETARY TO ST. LOUIS MUSIC, INC. | | | | | | |
| SIGNATURES: | | | | | | |
| DRN: | REM | DATE: | 11888 Boraman Dr. St. Louis, Missouri 63146 | | | |
| CHK'D: | | FIRST USED ON: | B-4R_BASS_AMP | | | |
| TOLERANCES: | | | | | | |
| DRAWING SIZE: D | | | | | | |
| DRAWING TYPE: - SCHEMATIC | | | | | | |
| DRAWING NO.: | | | | | | |
| SCALE: NONE | | | | | | |
| SHEET: SHT 5 OF 9 | | | | | | |



BIAS ADJUSTMENT: WITH NO SIGNAL AND NO LOAD
 ADJUST AP101 TO OBTAIN AN AVERAGE OF 25 ± 5mV ACROSS R139, 140
 R146, 147, 152, 153, 158, 159, 164, 165.
 ADJUST AP201 TO OBTAIN AN AVERAGE OF 25 ± 5mV ACROSS R239, 240
 R246, 247, 252, 253, 258, 259, 264, 265.

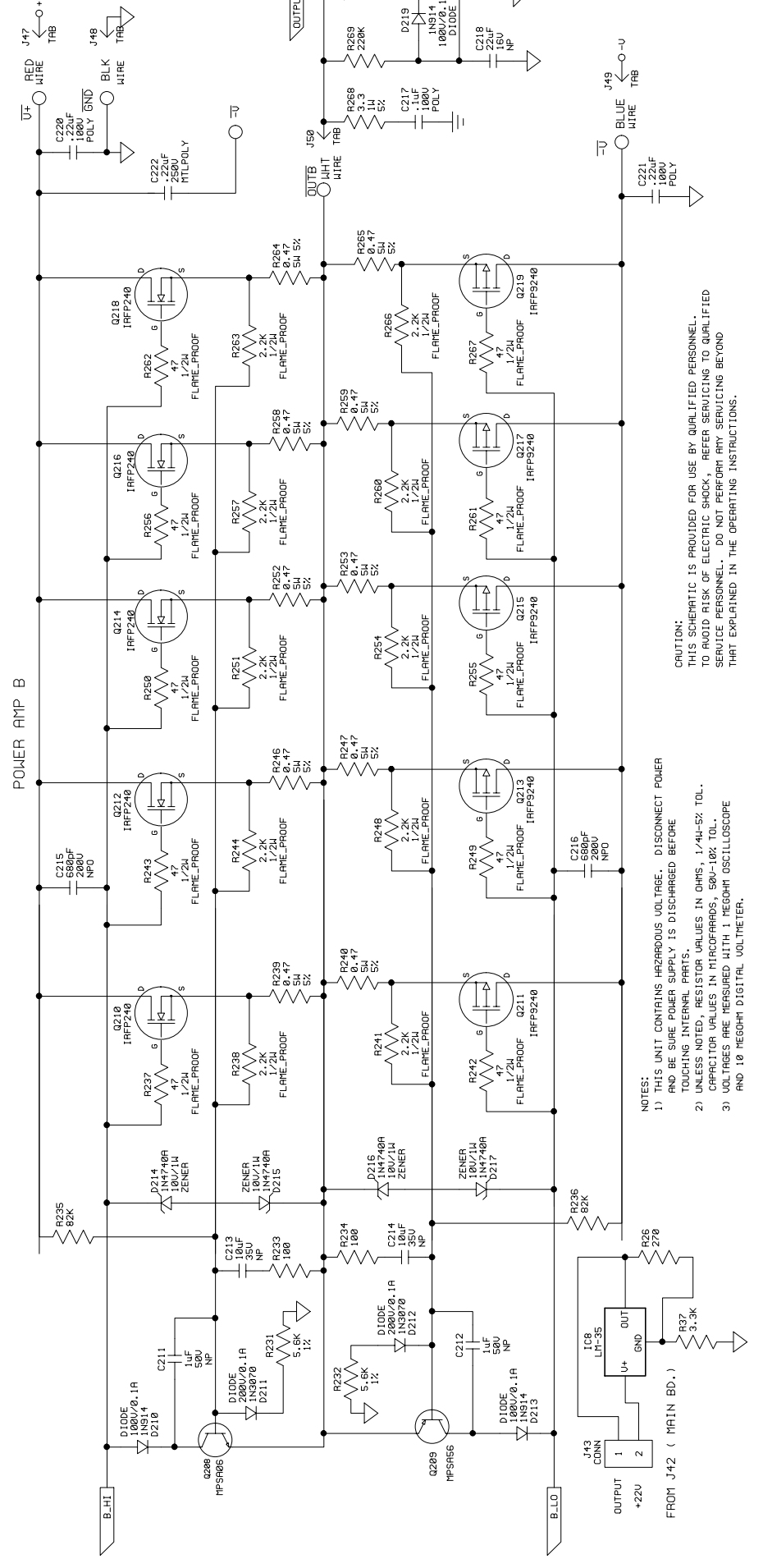
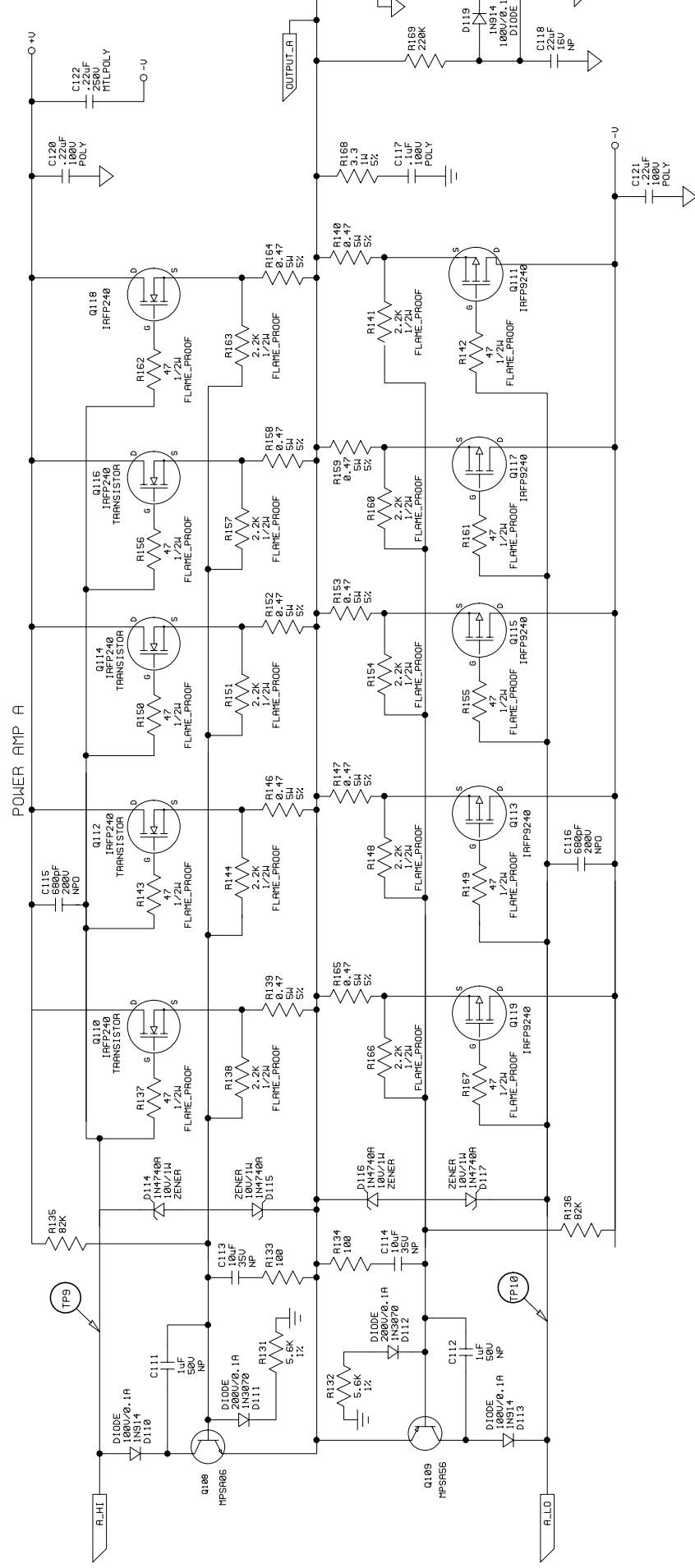
| T.P. | NO SIGNAL | 40VRMS OUT @ 8 OHMS | LIMITING @ 8 OHMS | AS NOTED (AVERAGE) |
|------|-----------|---------------------|-------------------|--------------------|
| 1 | 0.68Vrms | 0.68Vrms | 0.79Vrms | ~ |
| 2 | 0.68Vrms | 0.79Vrms | 1.5U | ~ |
| 3 | +/-20mVDC | 2.6VDC | 2.6VDC | AS SHOWN PER COLOR |
| 4 | +/-1VDC | 1.9mV | 2.7mV | ~ |
| 5 | +7mVDC | +4.82VDC | +4.82VDC | ~ |
| 6 | +5VDC | -5.12VDC | -5.12VDC | ~ |
| 7 | -5VDC | +43.6mVDC | +74mVDC | ~ |
| 8 | 0U | | | ~ |

SHEETS 7, 8 & 9 OF THIS DRAWING REPRESENT
 ASSY P/N 07-442-21

| REV. | DATE: | DESCRIPTION | ECR/CHK NO.: | CHK'D BY: | APP'D BY: | DATE: |
|---------------------------------------|-------|--|--------------|-----------|-----------|-------|
| 4 | | THIS INFORMATION CONTAINED ON THIS DRAWING IS PROPRIETARY TO ST. LOUIS MUSIC, INC. | | | | |
| SIGNATURES: | | | | | | |
| DATE: 6-25-88 | | | | | | |
| DRAWN: RET | | | | | | |
| CHK'D: | | | | | | |
| FIRST USED ON: B-4R_BASS_AMP | | | | | | |
| R/S P: | | | | | | |
| TOLERANCES: DRAWING SIZE: D SCHEMATIC | | | | | | |
| DRAWING TYPE: - SCHEMATIC | | | | | | |
| DRAWING NO.: 075442-XX | | | | | | |
| SCALE: NONE | | | | | | |
| SHEET: 8 OF 9 | | | | | | |

NOTES:
 1) THIS UNIT CONTAINS HAZARDOUS VOLTAGE. DISCONNECT POWER AND BE SURE POWER SUPPLY IS DISCHARGED BEFORE TOUCHING INTERNAL PARTS.
 2) UNLESS NOTED, RESISTOR VALUES IN OHMS, 1/4W-5% TOL. CAPACITOR VALUES IN MICROFARADS, 50V-10% TOL.
 3) VOLTAGES ARE MEASURED WITH 1 MEGOHM OSCILLOSCOPE AND 10 MEGOHM DIGITAL VOLTMETER.
 CAUTION:
 THIS SCHEMATIC IS PROVIDED FOR USE BY QUALIFIED PERSONNEL. TO AVOID RISK OF ELECTRIC SHOCK, REFER SERVICING TO QUALIFIED SERVICE PERSONNEL. DO NOT PERFORM ANY SERVICING BEYOND THAT EXPLAINED IN THE OPERATING INSTRUCTIONS.

| T.P. NO | SIGNAL | 40URms | 41URms |
|---------|-----------|----------|----------|
| 9 | +3.6Vdc | 40URms | 41URms |
| 10 | -3.5Vdc | 40URms | 41URms |
| 11 | 7.2mVdc | 40URms | 41URms |
| 12 | -11.52Vdc | -11.8Vdc | -11.8Vdc |



BIAS ADJUSTMENT: WITH NO SIGNAL AND NO LOAD
 ADJUST RP101 TO OBTAIN AN AVERAGE OF 25 ± 5mV ACROSS R139, 140
 R146, 147, 152, 153, 158, 159, 164, 165.
 ADJUST RP201 TO OBTAIN AN AVERAGE OF 25 ± 5mV ACROSS R239, 240
 R246, 247, 252, 253, 258, 259, 264, 265.

SHEETS 7, 8 & 9 OF THIS DRAWING REPRESENT
 ASSY P/N 07-442-21

| REV. | DATE: | DESCRIPTION | ECN/ECN NO.: | DESIGNED BY: | APP'D BY: | DATE: |
|------|-------|-------------|--------------|--------------|-----------|-------|
| 4 | | | | | | |

THIS INFORMATION CONTAINED ON THIS DRAWING IS PROPRIETARY TO ST. LOUIS ROSS, INC.

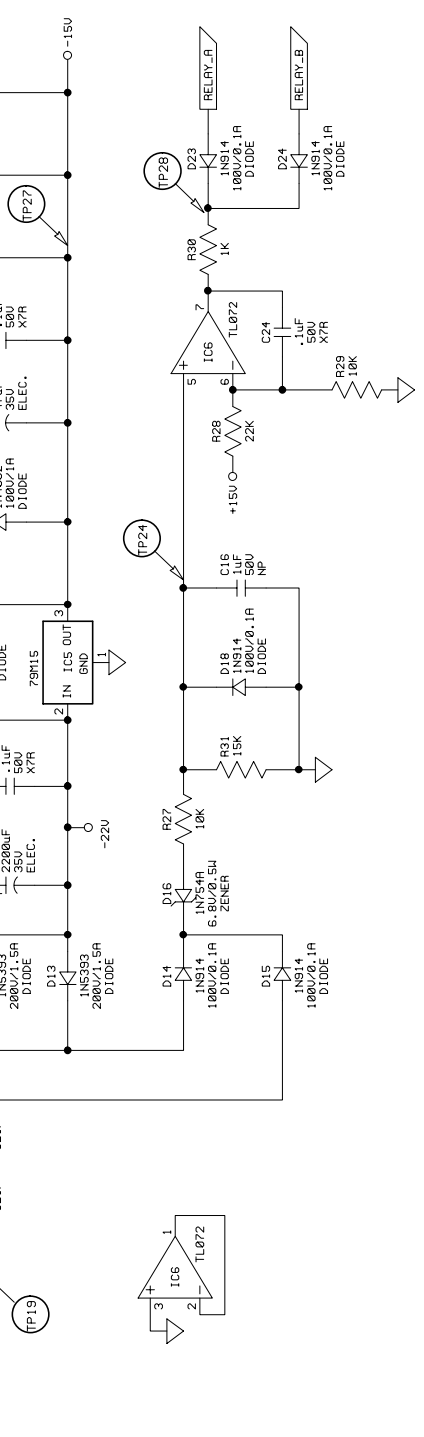
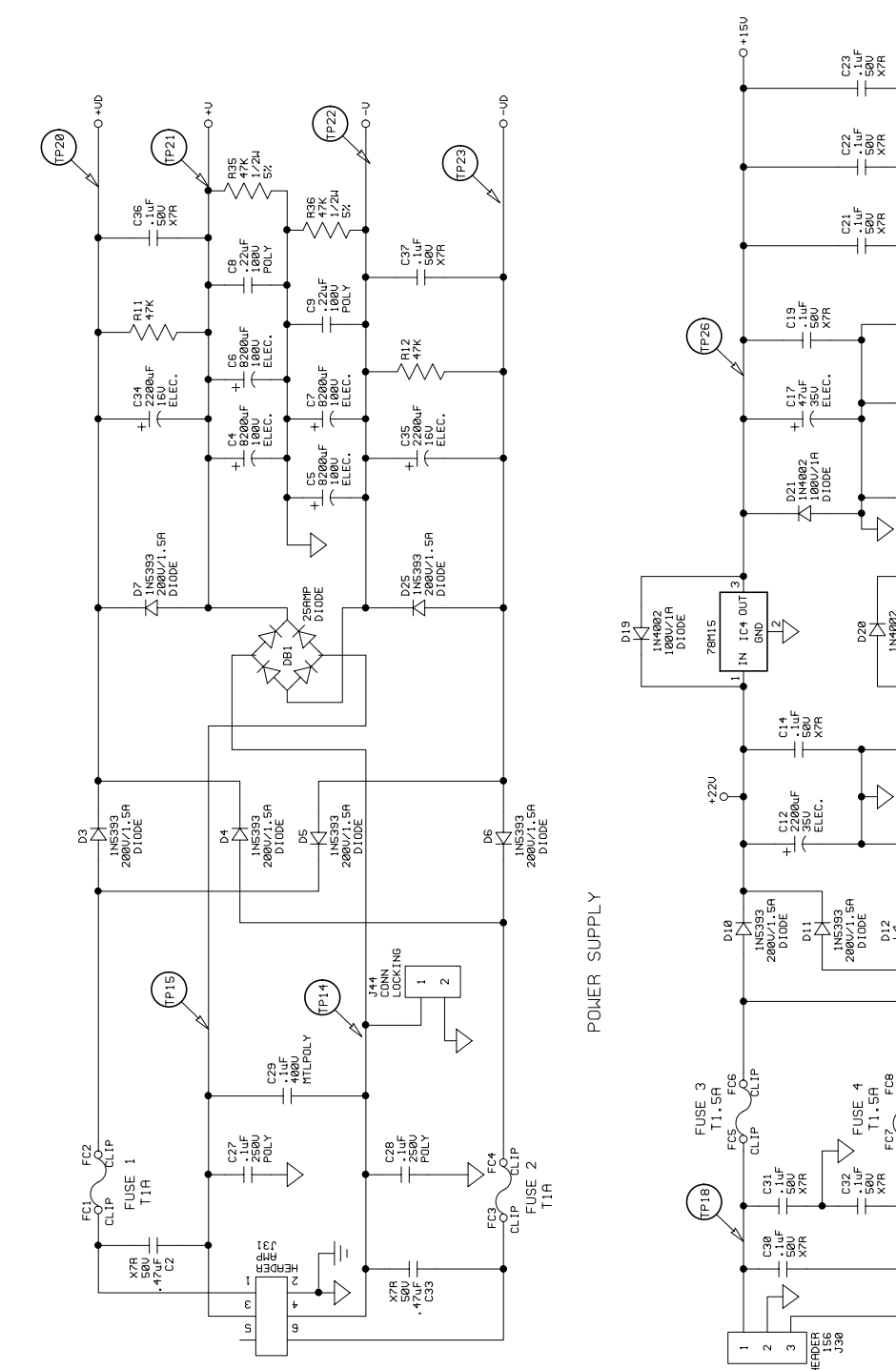
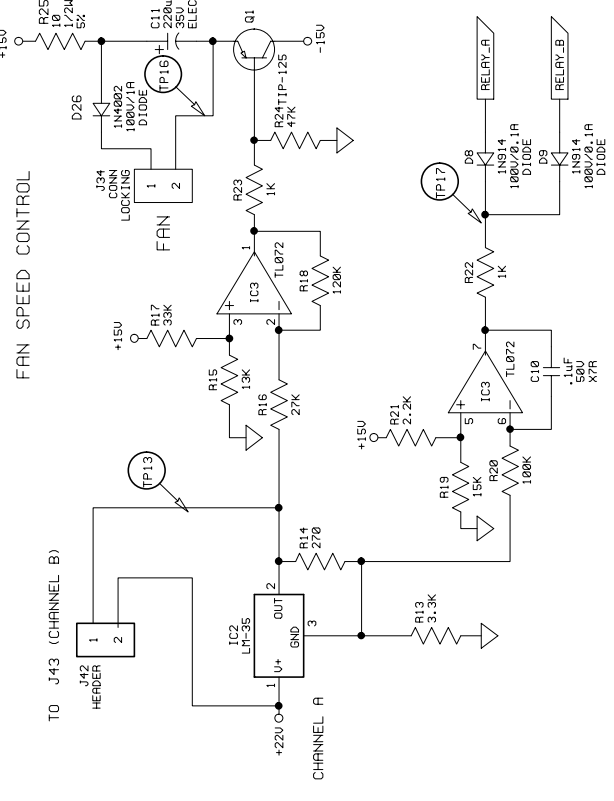
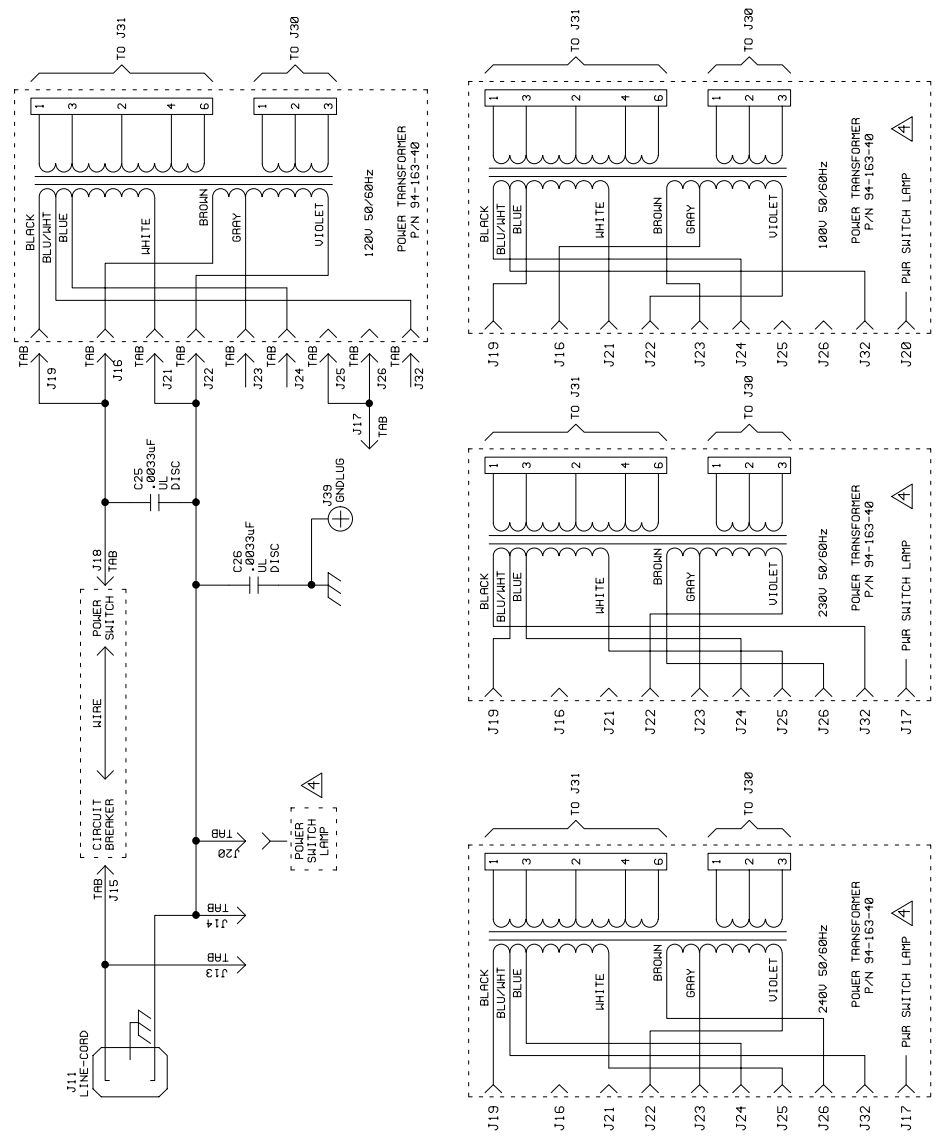
| | |
|--------------------------|---------|
| SIGNATURES: | DATE: |
| DESIGNED BY: [Signature] | 6-25-98 |
| CHECKED BY: [Signature] | |
| APP'D BY: [Signature] | |

FIRST USED ON: B-4R_BASS_AMP

| | |
|----------------|---------------|
| DRAWING TITLE: | DRAWING SIZE: |
| POWER_AMP | D |
| DRAWING TYPE: | DRAWING NO.: |
| SCHEMATIC | 075442-XX |
| CLASS CODE: | |
| SCALE: | SHEET: 8 OF 9 |

CAUTION:
 THIS SCHEMATIC IS PROVIDED FOR USE BY QUALIFIED PERSONNEL.
 TO AVOID RISK OF ELECTRICAL SHOCK, REFER SERVICING TO QUALIFIED
 SERVICE PERSONNEL. DO NOT PERFORM ANY SERVICING BEYOND
 THAT EXPLAINED IN THE OPERATING INSTRUCTIONS.

- NOTES:
- 1) THIS UNIT CONTAINS HAZARDOUS VOLTAGE. DISCONNECT POWER AND BE SURE POWER SUPPLY IS DISCHARGED BEFORE TOUCHING INTERNAL PARTS.
 - 2) UNLESS NOTED, RESISTOR VALUES IN OHMS, 1/4W-5% TOL. CAPACITOR VALUES IN MICROFARADS, 50V-10% TOL.
 - 3) VOLTAGES ARE MEASURED WITH 1 MEGOHM OSCILLOSCOPE AND 10 MEGOHM DIGITAL VOLTMETER.



| TP | NO SIGNAL | 40URMS OUT @ 8 OHMS AS NOTED IN REF 1 |
|----|---------------|---------------------------------------|
| 13 | VARIES w/TEMP | Variates w/Temp. |
| 14 | 61uAc | 51uAc |
| 15 | 61uAc | 51uAc |
| 16 | +1.4uDC | -4.6uDC |
| 17 | +14.4uDC | +14.4uDC |
| 18 | 20uAc | 19uAc |
| 19 | 20uAc | 19uAc |
| 20 | +71uDC | +64.5uDC |
| 21 | +63uDC | +59uDC |
| 22 | -63uDC | -59uDC |
| 23 | -71uDC | -64.5uDC |
| 24 | +60uDC | +5.73uDC |
| 25 | NOT USED | |
| 26 | +15uDC | +15uDC |
| 27 | -15uDC | -15uDC |
| 28 | +14.3uDC | +14.3uDC |

NOTES:
 1) THIS UNIT CONTAINS HAZARDOUS VOLTAGE. DISCONNECT POWER AND BE SURE POWER SUPPLY IS DISCHARGED BEFORE TOUCHING INTERNAL PARTS.
 2) UNLESS NOTED, RESISTOR VALUES IN OHMS, 1/4W-5% TOL. CAPACITOR VALUES IN MICROFARADS, 50V-10% TOL.
 3) VOLTAGES ARE MEASURED WITH 1 MEGOHM OSCILLOSCOPE AND 10 MEGOHM DIGITAL VOLTMETER.
 4) IF REQUIRED FOR CHASSIS ASSY.

CAUTION:
 THIS SCHEMATIC IS PROVIDED FOR USE BY QUALIFIED PERSONNEL. TO AVOID RISK OF ELECTRIC SHOCK, REFER SERVICING TO QUALIFIED SERVICE PERSONNEL. DO NOT PERFORM ANY SERVICING BEYOND THAT EXPLAINED IN THE OPERATING INSTRUCTIONS.

SHEETS 7, 8 & 9 OF THIS DRAWING REPRESENT ASSY P/N 07-442-21

| | | | | | |
|-------------|--------|-------------------------|---|-----------------------|---------------|
| 4 | REV: 1 | DATE: 6-25-98 | DESCRIPTION: THIS INFORMATION CONTAINED ON THIS DRAWING IS PROPRIETARY TO ST. LOUIS MUSIC, INC. | CHK'D BY: [Signature] | DATE: 6-25-98 |
| SIGNATURES: | | DATE: | ECR/ENR NO.: | CHK'D BY: | DATE: |
| DRAWN: REIT | | DATE: | THIS INFORMATION CONTAINED ON THIS DRAWING IS PROPRIETARY TO ST. LOUIS MUSIC, INC. | | |
| CHK'D: | | FIRST USED ON: | 11800 Broadway Dr., St. Louis, Missouri 63146 | | |
| R/S D: | | DRAWING SIZE: D | DRAWING TITLE: POWER AMP | | |
| TOLERANCES: | | DRAWING TYPE: SCHEMATIC | CLASS CODE: | | |
| SCALE: NONE | | SHEET: 9 OF 9 | DRAWING NO.: 07S442-XX | | |