

NOTE: AMP OPERATES IN BRIDGED MODE ONLY, BUT MAY BE SERVICED AND TESTED ON A PER-SIDE BASIS WITH CAUTION

TEST POINT CONDITIONS:
 INPUT SIGNAL: 0.2Vp-p 1 kHz SINE WAVE.
 OUTPUT SIGNAL: CLEAN SINE WAVE.
 LINE OUTPUT CONTROL @ "10".
 PRE/POST OUT

CAUTION:
 THIS SCHEMATIC IS PROVIDED FOR USE BY QUALIFIED PERSONNEL TO AVOID RISK OF ELECTRIC SHOCK, REFER SERVICING TO QUALIFIED SERVICE PERSONNEL. DO NOT ANY SERVICING BEYOND THAT EXPLAINED IN THE OPERATING INSTRUCTIONS.

NOTES:
 1) CAUTION: SHOCK HAZARD!! THIS UNIT CONTAINS HAZARDOUS VOLTAGE. DISCONNECT POWER AND BE SURE POWER SUPPLY IS DISCHARGED BEFORE TOUCHING INTERNAL PARTS.
 2) UNLESS NOTED, RESISTOR VALUES IN OHMS, 1/4W-5% TOL. CAPACITOR VALUES IN MICROFARADS, 50V-10% TOL.
 3) VOLTAGES ARE MEASURED WITH 1 MEGOHM OSCILLOSCOPE AND 10 MEGOHM DIGITAL VOLTMETER.

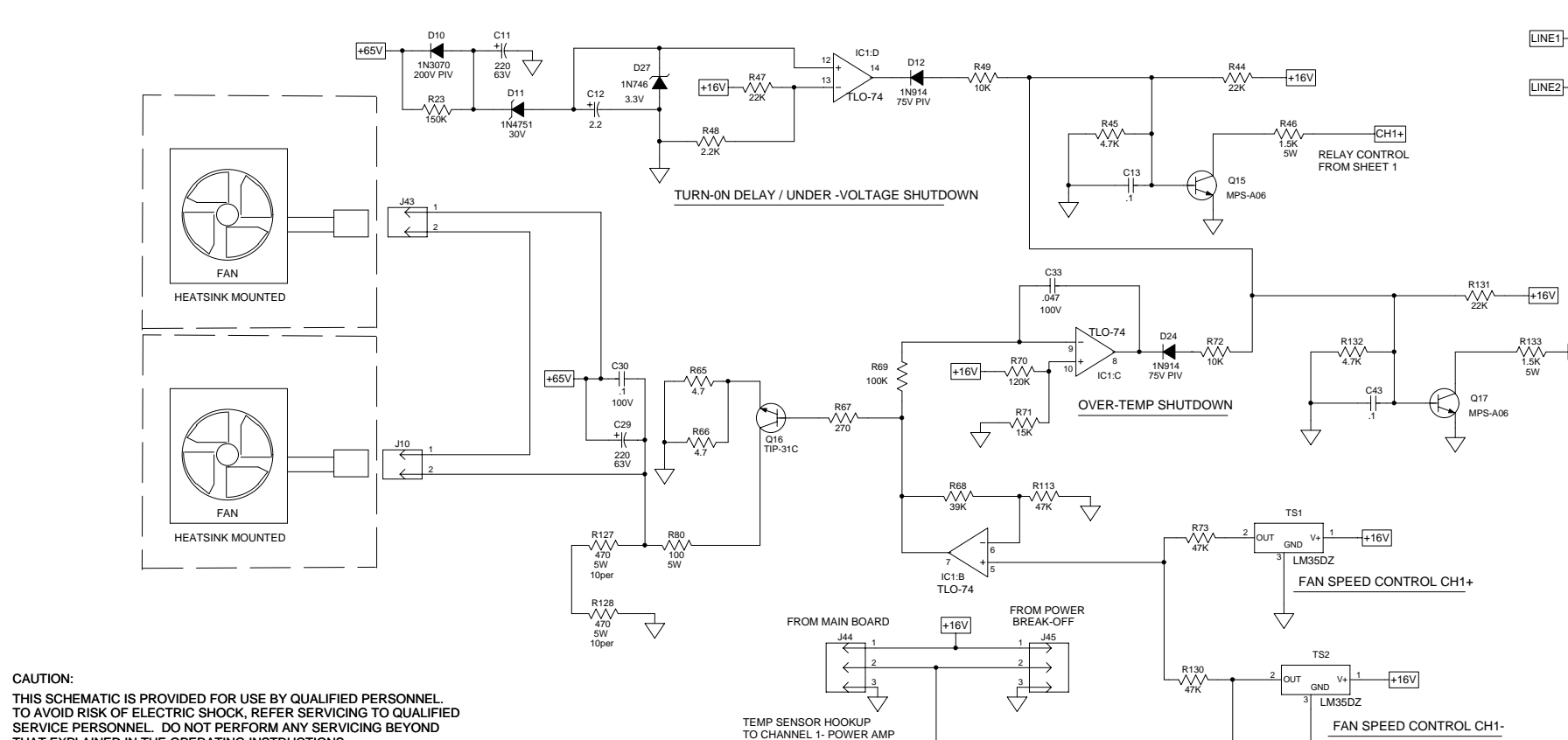
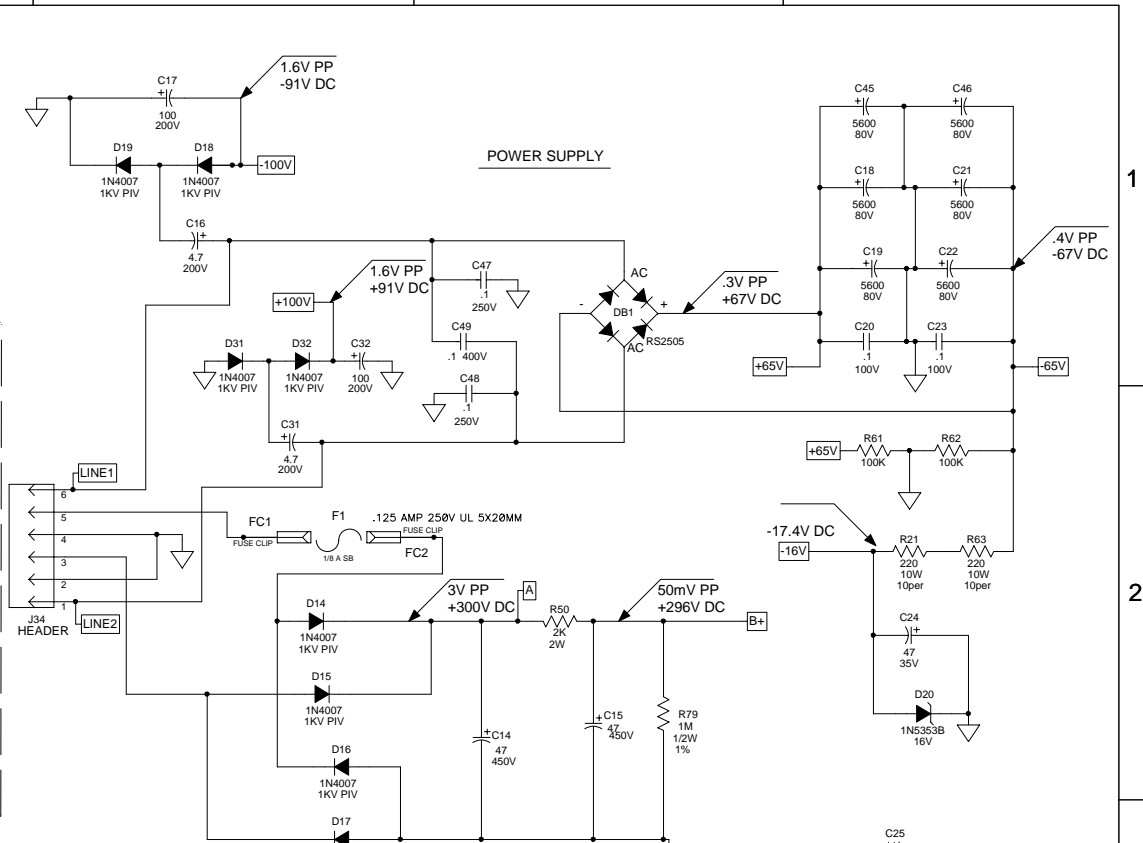
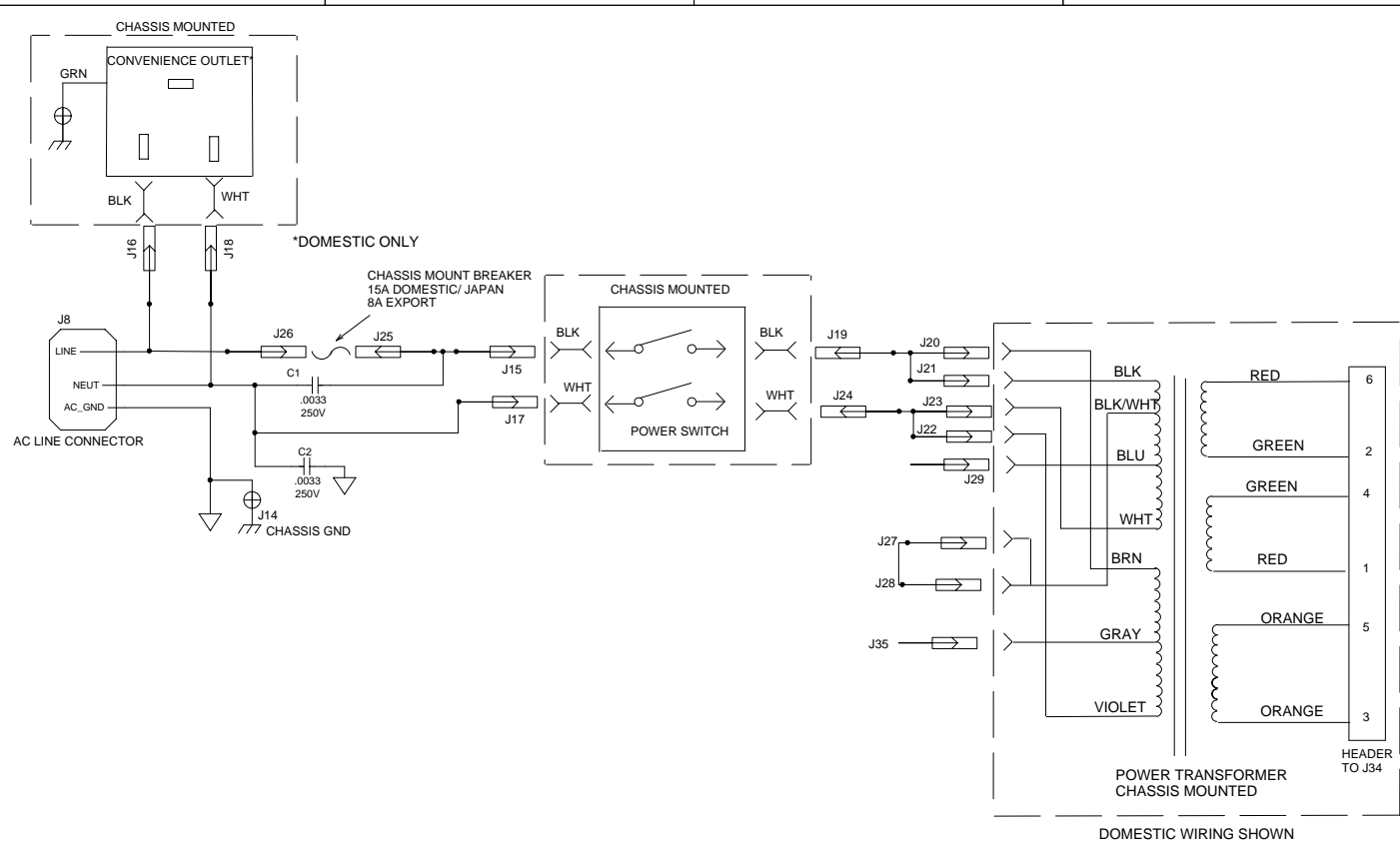
A		11/17/04		INITIAL		
REV	Date	DESCRIPTION	Ecr(s)/Ecn(s)	Chgd By	Appvd by	Date
THE INFORMATION CONTAINED ON THIS DRAWING IS PROPRIETARY TO ST. LOUIS MUSIC, INC.						
Signatures:		Date:				
Drawn: REM		8/27/04		1901 Congressional, St. Louis, MO 63146		
Checked:				First Used On:		
Released:						
Plot Date: Thu Apr 21, 2005		Drawing Size: C		Drawing Title:		
Plot Time: 09:31:36		Drawing Type: Schematic		SCHEMATIC - PWR AMP		
Tolerance:		Class Code: NONE		Drawing Number:		
		Sheet 1 of 2		07S699		

ASSY P/N 07-699-01

5

5

A B C D E F G



CAUTION:
THIS SCHEMATIC IS PROVIDED FOR USE BY QUALIFIED PERSONNEL. TO AVOID RISK OF ELECTRIC SHOCK, REFER SERVICING TO QUALIFIED SERVICE PERSONNEL. DO NOT PERFORM ANY SERVICING BEYOND THAT EXPLAINED IN THE OPERATING INSTRUCTIONS.

NOTES:
1) CAUTION: SHOCK HAZARD!! THIS UNIT CONTAINS HAZARDOUS VOLTAGE. DISCONNECT POWER AND BE SURE POWER SUPPLY IS DISCHARGED BEFORE TOUCHING INTERNAL PARTS.
2) UNLESS NOTED, RESISTOR VALUES IN OHMS, 1/4W-5% TOL. CAPACITOR VALUES IN MICROFARADS, 50V-10% TOL.
3) VOLTAGES ARE MEASURED WITH 1 MEGOHM OSCILLOSCOPE AND 10 MEGOHM DIGITAL VOLTMETER.

				</
--	--	--	--	----