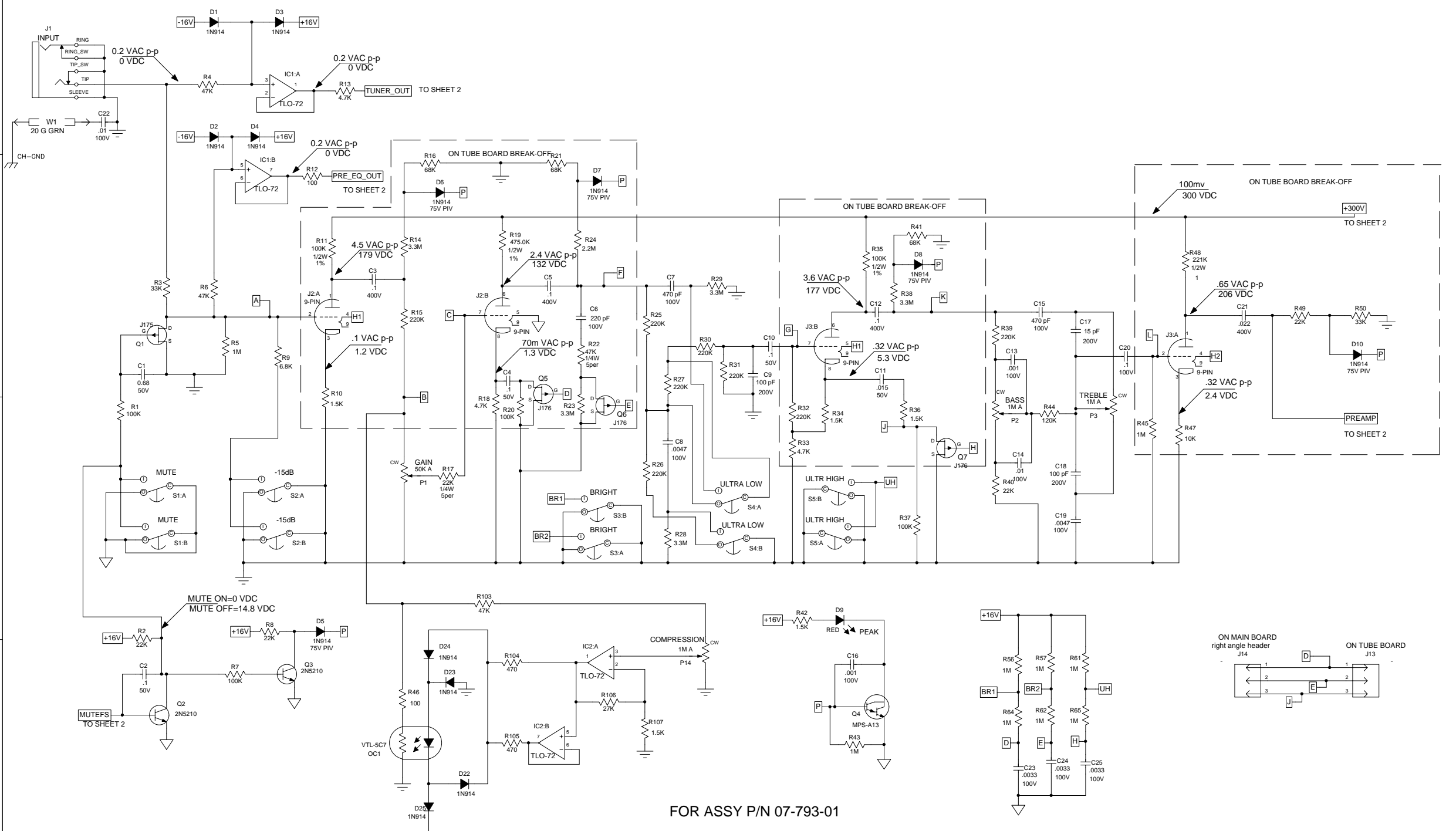


TEST POINT CONDITIONS:
 INPUT SIGNAL: 0.2Vp-p 1 KHz SINE WAVE.
 LINE OUTPUT CONTROL @ "10".
 PRE/POST "OUT"

ALL CONTROLS @ '5' EXCEPT COMPRESSION @ '0'.
 AND TUBE VOLTAGE @ '10'. ALL SWITCHES 'OUT'.

1
2
3
4
5

1
2
3
4
5

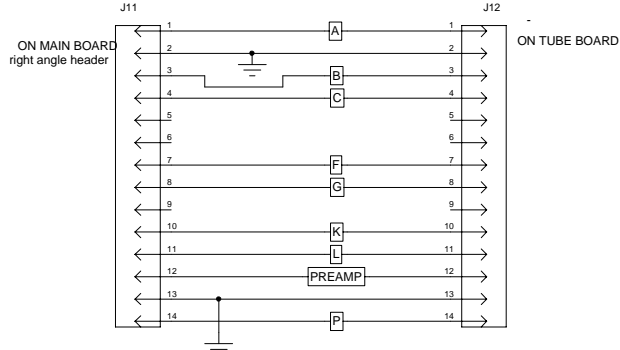


FOR ASSY P/N 07-793-01

NOTE: COMPONENTS WITHIN DASHES ARE ON TUBE BREAK-OFF PCB.

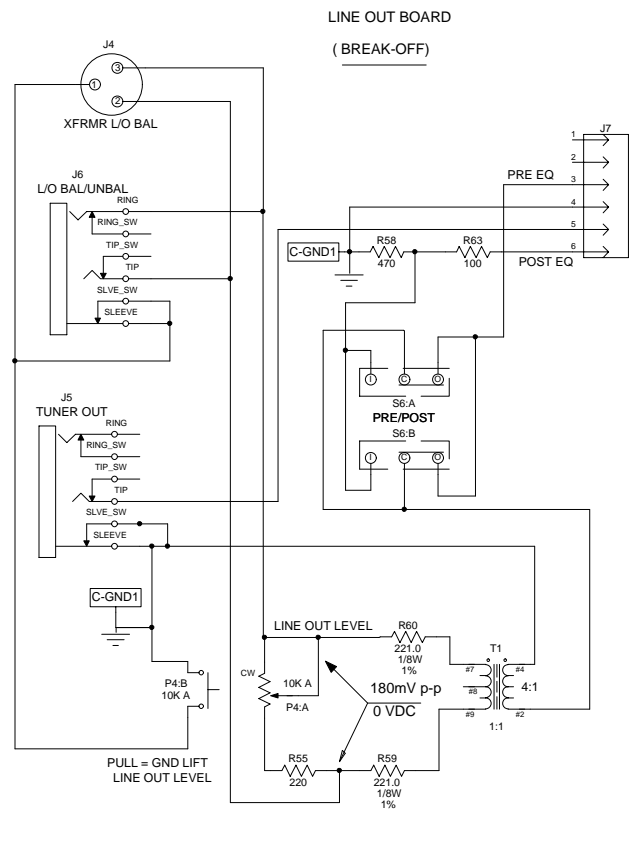
CAUTION:
 THIS SCHEMATIC IS PROVIDED FOR USE BY QUALIFIED PERSONNEL. TO AVOID RISK OF ELECTRIC SHOCK, REFER SERVICING TO QUALIFIED SERVICE PERSONNEL. DO NOT PERFORM ANY SERVICING BEYOND THAT EXPLAINED IN THE OPERATING INSTRUCTIONS.

NOTES:
 1) CAUTION: SHOCK HAZARD!! THIS UNIT CONTAINS HAZARDOUS VOLTAGE. DISCONNECT POWER AND BE SURE POWER SUPPLY IS DISCHARGED BEFORE TOUCHING INTERNAL PARTS.
 2) UNLESS NOTED, RESISTOR VALUES IN OHMS, 1/4W-5% TOL. CAPACITOR VALUES IN MICROFARADS, 50V-10% TOL.
 3) VOLTAGES ARE MEASURED WITH 1 MEGOHM OSCILLOSCOPE AND 10 MEGOHM DIGITAL VOLTMETER.

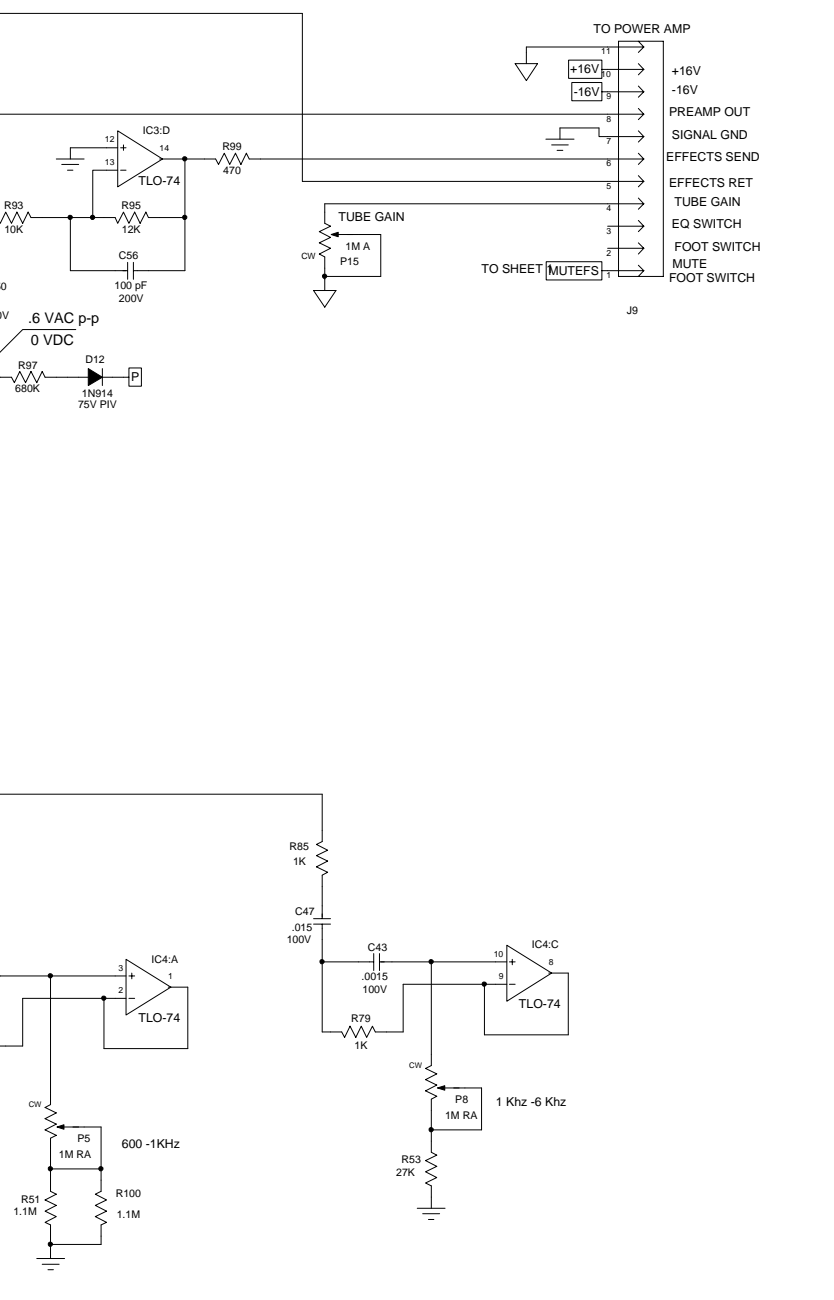
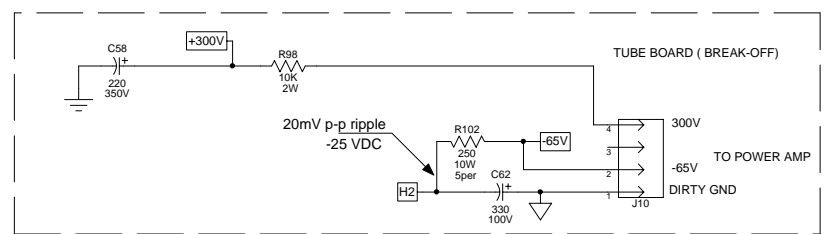
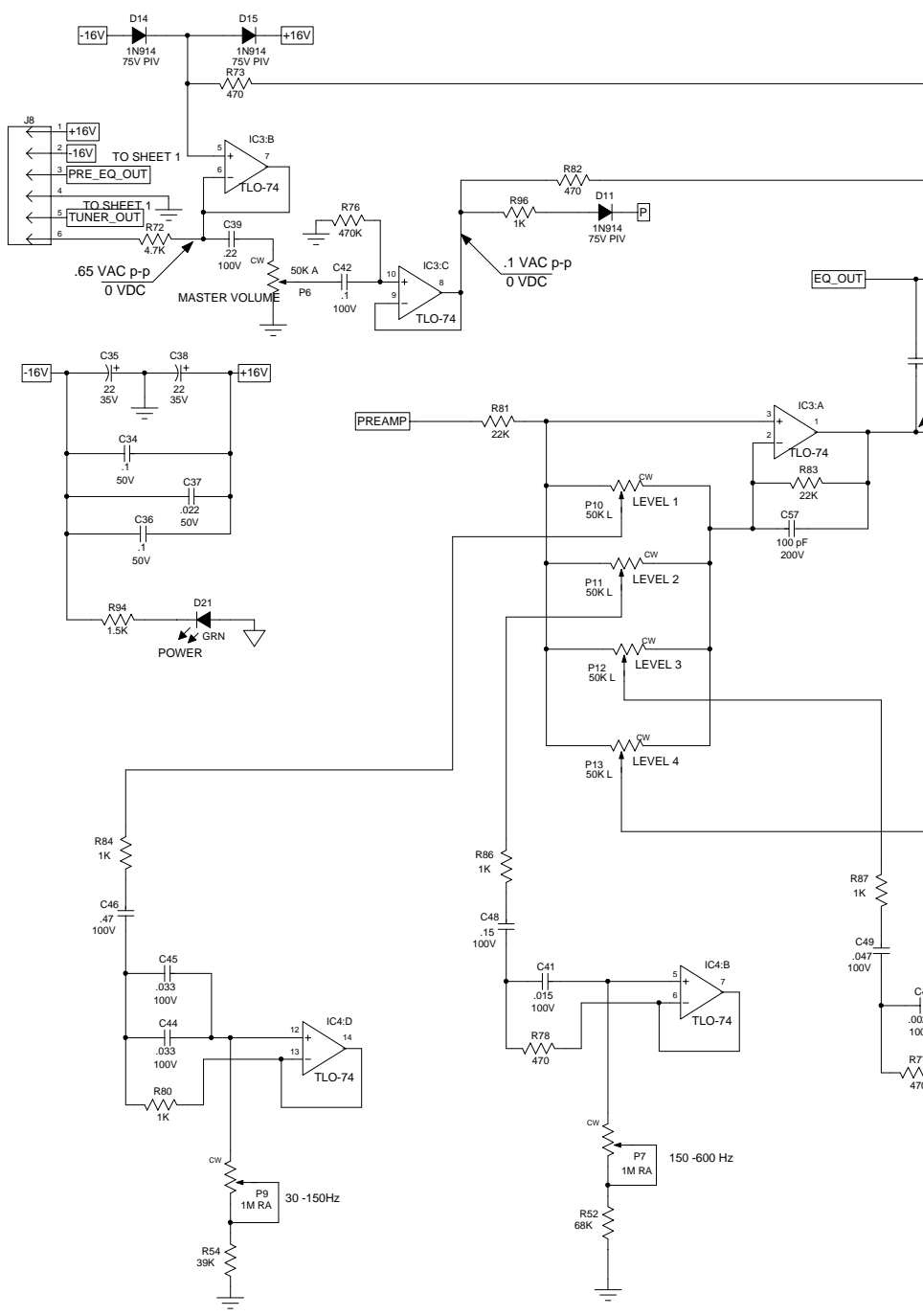


| 0 | 09/30/05 | CONTROL ISSUE | | | REM | |
|---|----------|-------------------------|---------------|---|----------|------|
| A | 8/15/05 | INITIAL ISSUE | | | | |
| REV | Date | DESCRIPTION | Ecr(s)/Ecn(s) | Chgd By | Appvd by | Date |
| THE INFORMATION CONTAINED ON THIS DRAWING IS PROPRIETARY TO ST. LOUIS MUSIC, INC. | | | | | | |
| Signatures: | | Date: | | 1901 Congressional, St. Louis, MO 63146 | | |
| Drawn: | | REM | | 06/02/05 | | |
| Checked: | | | | First Used On: | | |
| Released: | | | | | | |
| Plot Date: Fri Sep 30, 2005 | | Drawing Size: C | | Drawing Title: SCHEMATIC - PREAMP | | |
| Plot Time: 06:46:27 | | Drawing Type: Schematic | | | | |
| Tolerance: | | Class Code: NONE | | Drawing Number: 07S793 | | |
| | | Sheet 1 of 2 | | | | |

A B C D E F G



| Power Table | | |
|-------------|------|------|
| RefDes | -16V | +16V |
| IC1 | 4 | 8 |
| IC2 | 4 | 8 |
| IC3 | 11 | 4 |
| IC4 | 11 | 4 |



CAUTION:
THIS SCHEMATIC IS PROVIDED FOR USE BY QUALIFIED PERSONNEL. TO AVOID RISK OF ELECTRIC SHOCK, REFER SERVICING TO QUALIFIED SERVICE PERSONNEL. DO NOT PERFORM ANY SERVICING BEYOND THAT EXPLAINED IN THE OPERATING INSTRUCTIONS.

NOTES:
1) CAUTION: SHOCK HAZARD!! THIS UNIT CONTAINS HAZARDOUS VOLTAGE. DISCONNECT POWER AND BE SURE POWER SUPPLY IS DISCHARGED BEFORE TOUCHING INTERNAL PARTS.
2) UNLESS NOTED, RESISTOR VALUES IN OHMS, 1/4W-5% TOL. CAPACITOR VALUES IN MICROFARADS, 50V-10% TOL.
3) VOLTAGES ARE MEASURED WITH 1 MEGOHM OSCILLOSCOPE AND 10 MEGOHM DIGITAL VOLTMETER.

| REV | Date | DESCRIPTION | Ecr(s)/Ecn(s) | Chgd By | Appvd by | Date |
|-----|----------|---------------|---------------|---------|----------|------|
| 0 | 09/30/05 | CONTROL ISSUE | | | | REM |
| A | 8/15/05 | INITIAL ISSUE | | | | |

THE INFORMATION CONTAINED ON THIS DRAWING IS PROPRIETARY TO ST. LOUIS MUSIC, INC.

| | | |
|-----------------------------|-------------------------|---|
| Signatures: | | Date: |
| Drawn: REM | | 06/02/05 |
| Checked: | | 1901 Congressional, St. Louis, MO 63146 |
| Released: | | First Used On: |
| Plot Date: Fri Sep 30, 2005 | Drawing Size: C | Drawing Title: SCHEMATIC - PREAMP |
| Plot Time: 06:46:27 | Drawing Type: Schematic | Drawing Number: 07S793 |
| Tolerance: | Class Code: NONE | Sheet 2 of 2 |