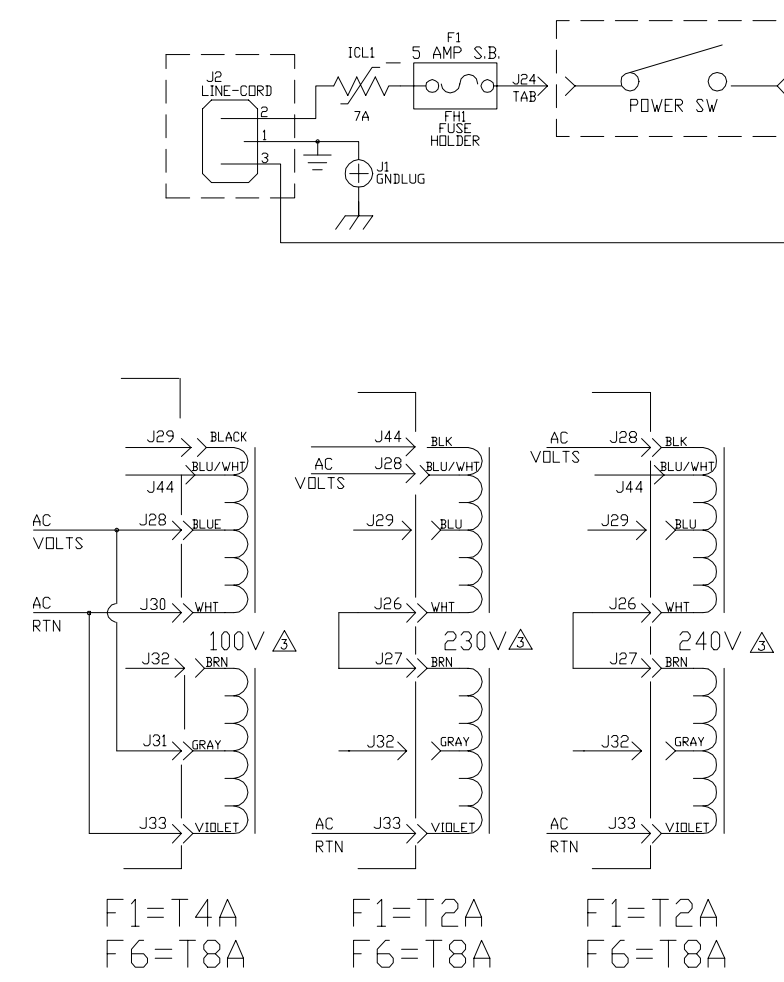


- NOTES:
- 1) THIS UNIT CONTAINS HAZARDOUS VOLTAGE. DISCONNECT POWER AND BE SURE POWER SUPPLY IS DISCHARGED BEFORE TOUCHING INTERNAL PARTS.
  - 2) UNLESS NOTED, RESISTOR VALUES IN OHMS, 1/4W-5% TOL. CAPACITOR VALUES IN MICROFARADS, 50V-10% TOL.
  - 3) VOLTAGES ARE MEASURED WITH 1 MEGOHM OSCILLOSCOPE AND 10 MEGOHM DIGITAL VOLTMETER.
  - 4) **31V** VOLTAGES IN RECTANGLES ARE RMS SIGNAL VOLTAGES WITH 0.6V INPUT.  
**260V** OTHER VOLTAGES ARE D.C. WITH NO SIGNAL APPLIED.
  - 5) TO SET BIAS: ALLOW UNIT TO WARM FOR 10 MINUTES. ADJUST AP1 FOR 120W (OR 1.3A) DRAW @ 115V.
  - 6) DO NOT OPERATE UNIT WITHOUT PROPER LOAD.
  - 7) DESIGNATORS WITH PREFIX "OPT" ARE NOT USED.
  - 8) \* ON -01 VERSION ONLY.  
\*\* ON -02 VERSION ONLY.

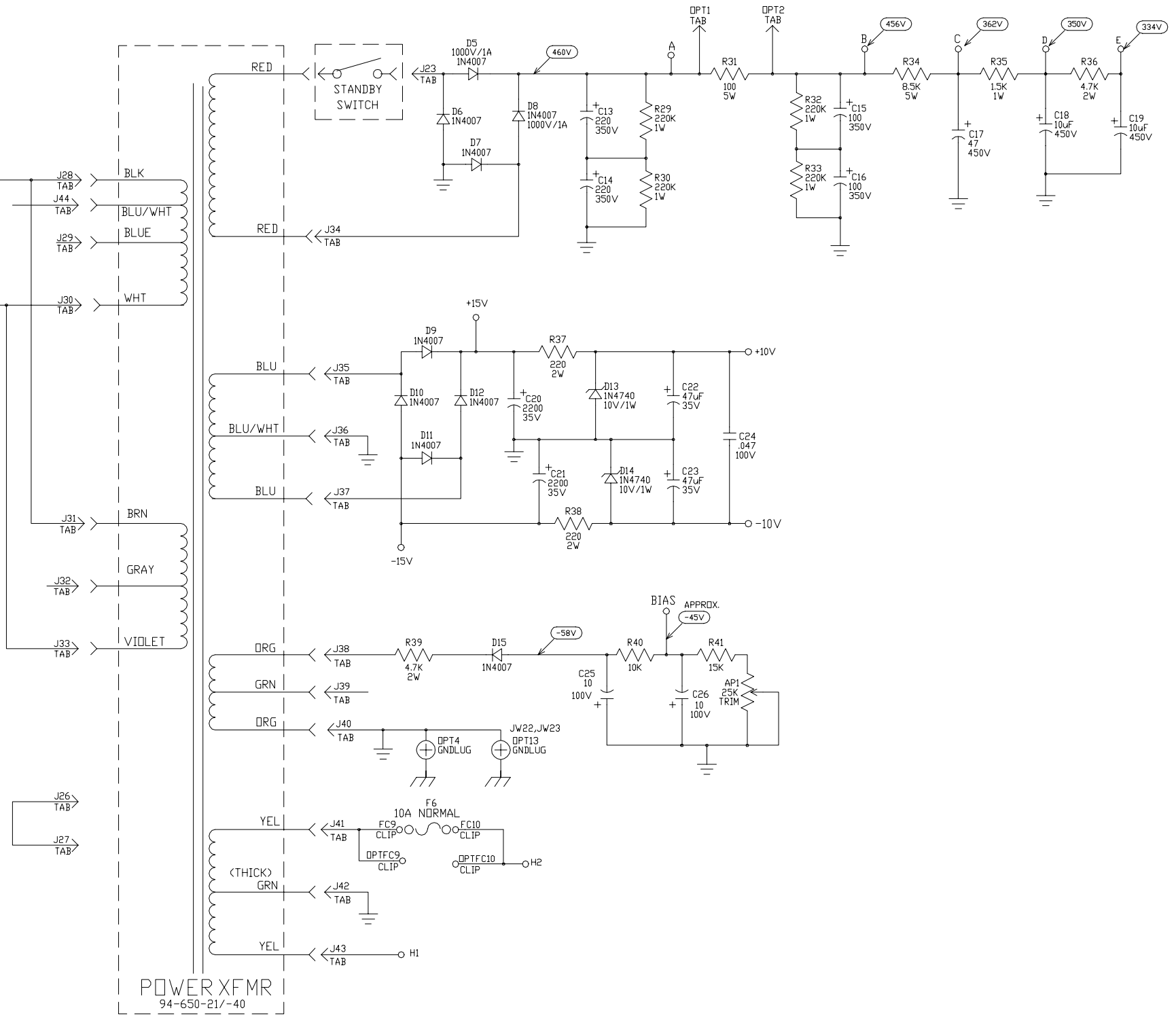
CAUTION:  
THIS SCHEMATIC IS PROVIDED FOR USE BY QUALIFIED PERSONNEL. TO AVOID RISK OF ELECTRIC SHOCK, REFER SERVICING TO QUALIFIED SERVICE PERSONNEL. DO NOT PERFORM ANY SERVICING BEYOND THAT EXPLAINED IN THE OPERATING INSTRUCTIONS.

6					
4	8/25/98	REM	GM	12R BACK TO 12- PER ECR980025-03.	
4	5-12-98	RLB	GM	ADDED ICL1 PER ECO 980053	
3	08/08/97	DLS		J7 NOW USED ON ALL UNITS ALSO MADE EXPORT WIRING CHANGES PER E970427	
2	05/20/97	SWR		TRANSFERRED INTO ACAD & CLEANED UP. ADDED NEUTRIK JACK TO SCH. MATCHED ARTWORK PER E970242/970145.	
1				UNKNOWN	
REV	DATE	BY	CHK'D	DESCRIPTION	
SIGNATURES:		DATE:			
DRAWN: REM		07/17/95			
CHK'D: G.M.		07/17/95		PROJECT NAME:	
APP'D: G.M.		07/17/95		V-4BH BASS AMP	
ORIGINAL ISSUED: 07/17/95				DRAWING NAME:	
PLOT DATE: 09/22/98				POWER AMP	
PLOT TIME: 11:18:02				DRAWING NO. 07S441-01/-02	
FILE NAME: 44101H4				REV 4_	
		SCALE: 1:1		SHEET: 1 OF 2	



EXPORT WIRING (SEE NOTE #9)

- NOTES:
- 1) THIS UNIT CONTAINS HAZARDOUS VOLTAGE. DISCONNECT POWER AND BE SURE POWER SUPPLY IS DISCHARGED BEFORE TOUCHING INTERNAL PARTS.
  - 2) UNLESS NOTED, RESISTOR VALUES IN OHMS, 1/4W-5% TOL. CAPACITOR VALUES IN MICROFARADS, 50V-10% TOL.
  - 3) VOLTAGES ARE MEASURED WITH 1 MEGOHM OSCILLOSCOPE AND 10 MEGOHM DIGITAL VOLTMETER.
  - 4) 31V VOLTAGES IN RECTANGLES ARE RMS SIGNAL VOLTAGES WITH 0.6V INPUT.  
260V OTHER VOLTAGES ARE D.C. WITH NO SIGNAL APPLIED.
  - 5) TO SET BIAS: ALLOW UNIT TO WARM FOR 10 MINUTES. ADJUST AP1 FOR 120W (OR 1.3A) DRAW @ 115V.
  - 6) DO NOT OPERATE UNIT WITHOUT PROPER LOAD.
  - 7) DESIGNATORS WITH PREFIX "DPT" ARE NOT USED.
  - 8) \* ON -01 VERSION ONLY.  
\*\* ON -02 VERSION ONLY.
  - 9) BLU/WHT XFMR LEAD NOT USED ON SOME XFMRs. USE BLK LEAD.



CAUTION:  
THIS SCHEMATIC IS PROVIDED FOR USE BY QUALIFIED PERSONNEL. TO AVOID RISK OF ELECTRIC SHOCK, REFER SERVICING TO QUALIFIED SERVICE PERSONNEL. DO NOT PERFORM ANY SERVICING BEYOND THAT EXPLAINED IN THE OPERATING INSTRUCTIONS.

SEE SHEET 1 OF 2 FOR REVISION HISTORY

SIGNATURES:		DATE:	 11880 BORMAN DR. ST. LOUIS, MISSOURI 63168
DRAWN:	REM	07/17/95	
CHK'D:	G.M.	07/17/95	PROJECT NAME:
APP'D:	G.M.	07/17/95	V-4BH BASS AMP
ORIGINAL ISSUED:	07/17/95	DRAWING NAME:	
PLOT DATE:		09/22/98	POWER AMP
PLOT TIME:		11:18:02	DRAWING NO. 07S441-01/-02
FILE NAME:		44101H4	REV 4
SCALE:		1:1	SHEET: 2 OF 2